

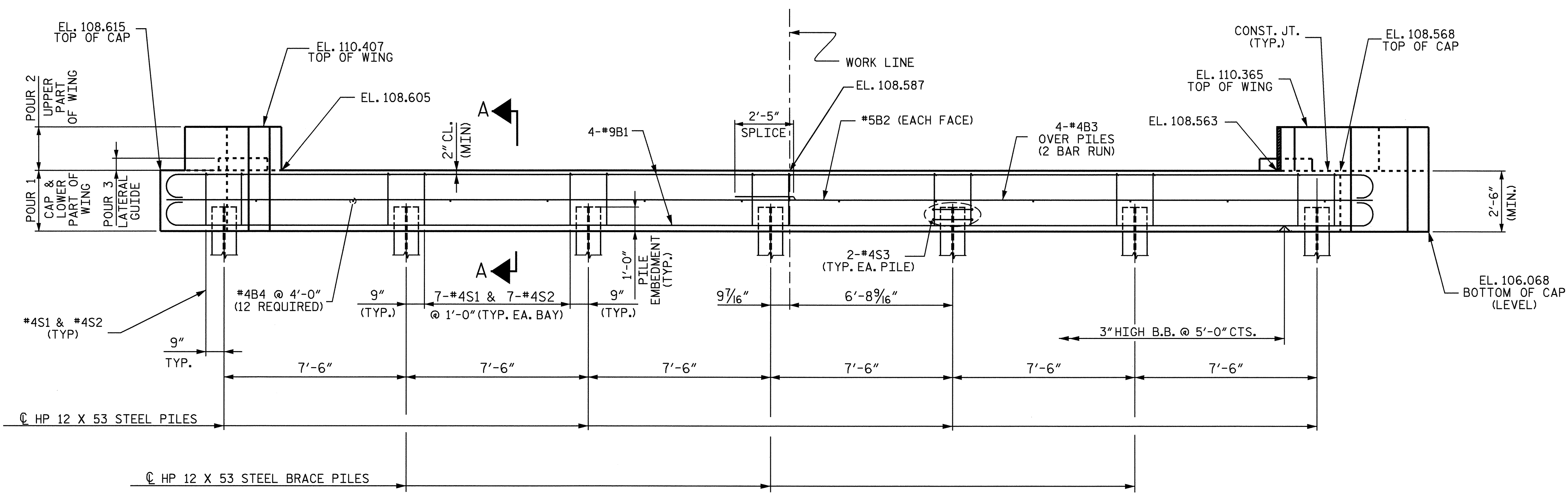
PLAN

NOTES

STIRRUPS IN CAP MAY BE SHIFTED AS NECESSARY TO CLEAR DOWELS.

THE LATERAL GUIDE AT EACH END OF THE CAP IS NOT TO BE POURED UNTIL AFTER CORED SLAB UNITS ARE IN PLACE.

THE CONTRACTOR SHALL PROVIDE FOR INSTALLATION OF THE 4" Ø DRAIN PIPE THROUGH THE WING WALL AS REQUIRED FOR REINFORCED BRIDGE APPROACH FILLS. SEE THE ROADWAY PLANS. REINFORCING STEEL IN THE WING WALL MAY BE SHIFTED AS NECESSARY TO CLEAR THE DRAIN PIPE.



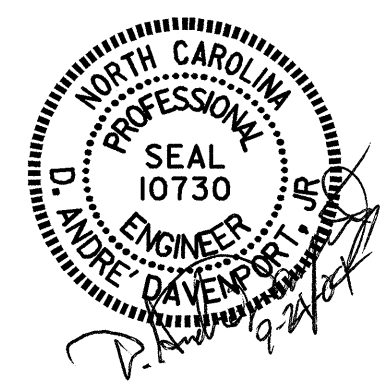
ELEVATION

PROJECT NO. B-4320
WAYNE/DUPLIN COUNTY
 STATION: 16+47.50 -L-

SHEET 1 OF 3

STATE OF NORTH CAROLINA
 DEPARTMENT OF TRANSPORTATION
 RALEIGH

**SUBSTRUCTURE
 END BENT #1**



DRAWN BY: ADAM A COLE DATE: 6/29/04
 CHECKED BY: SP LAM DATE: 7/23/04

REVISIONS						SHEET NO.
NO.	BY:	DATE:	NO.	BY:	DATE:	5-9
1			3			TOTAL SHEETS
2			4			22