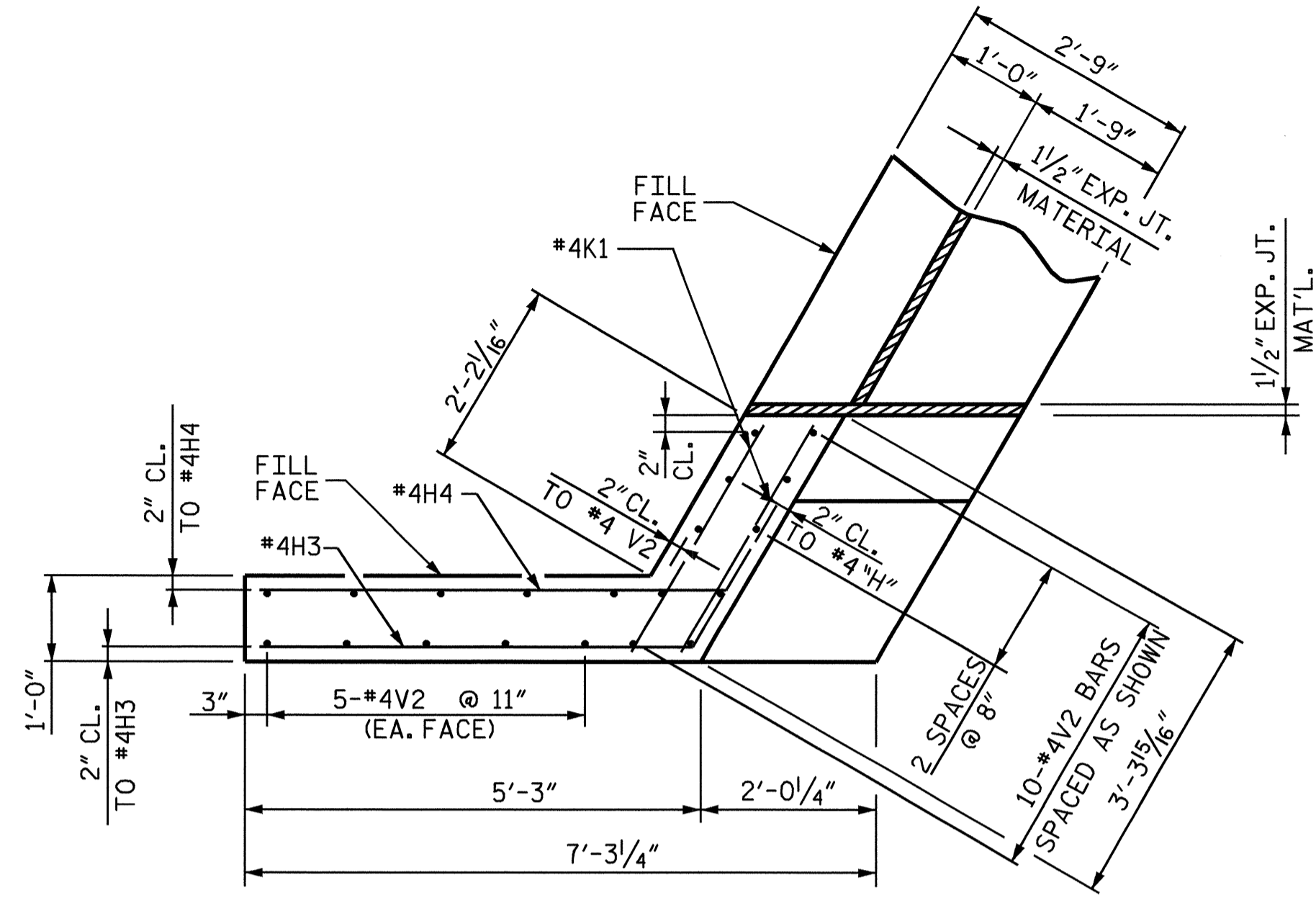
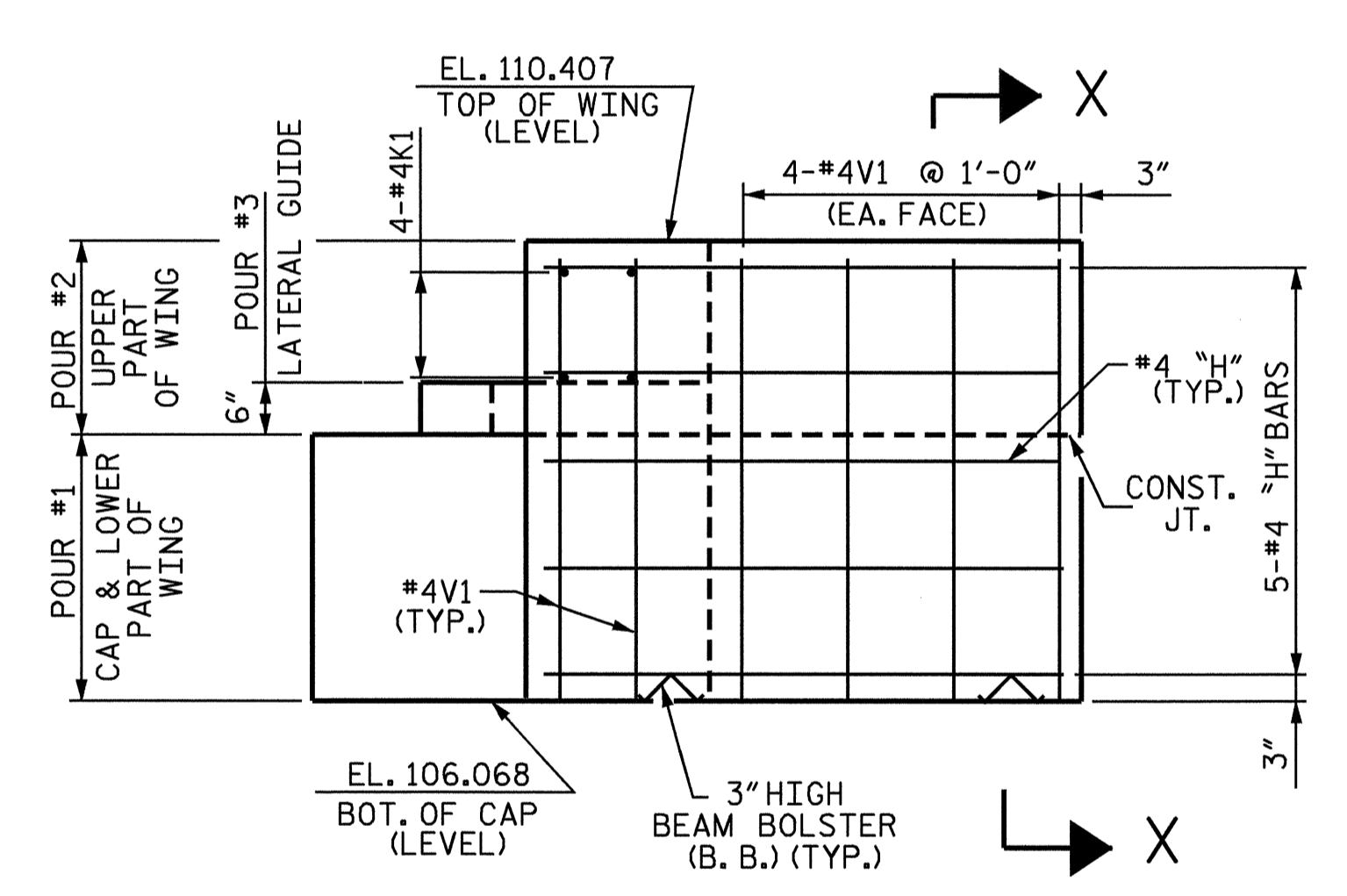


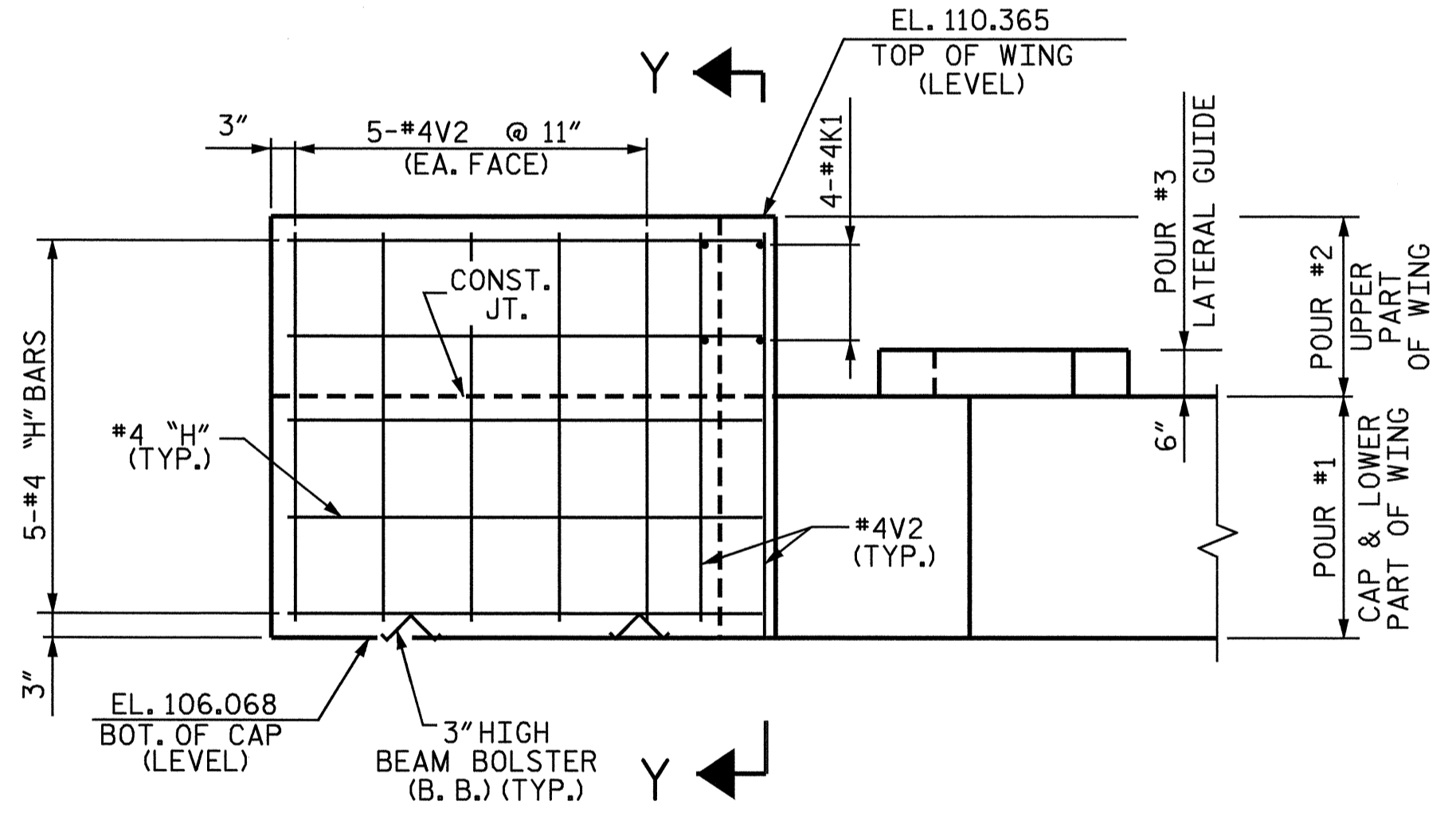
PLAN OF LEFT WING (W1)



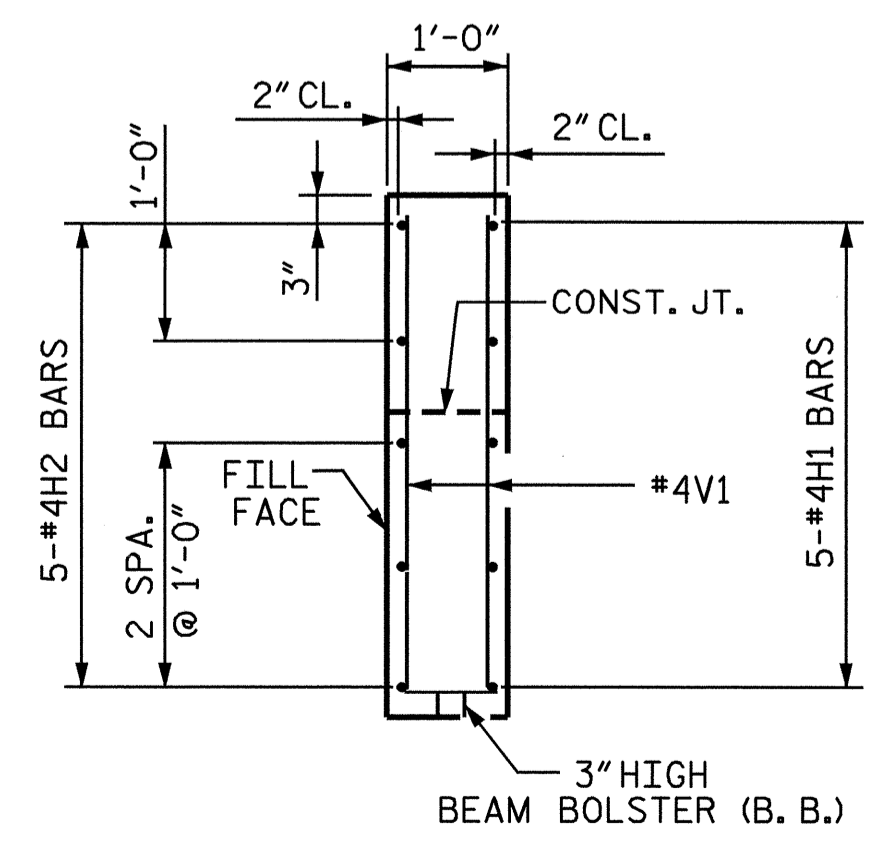
PLAN OF RIGHT WING (W2)



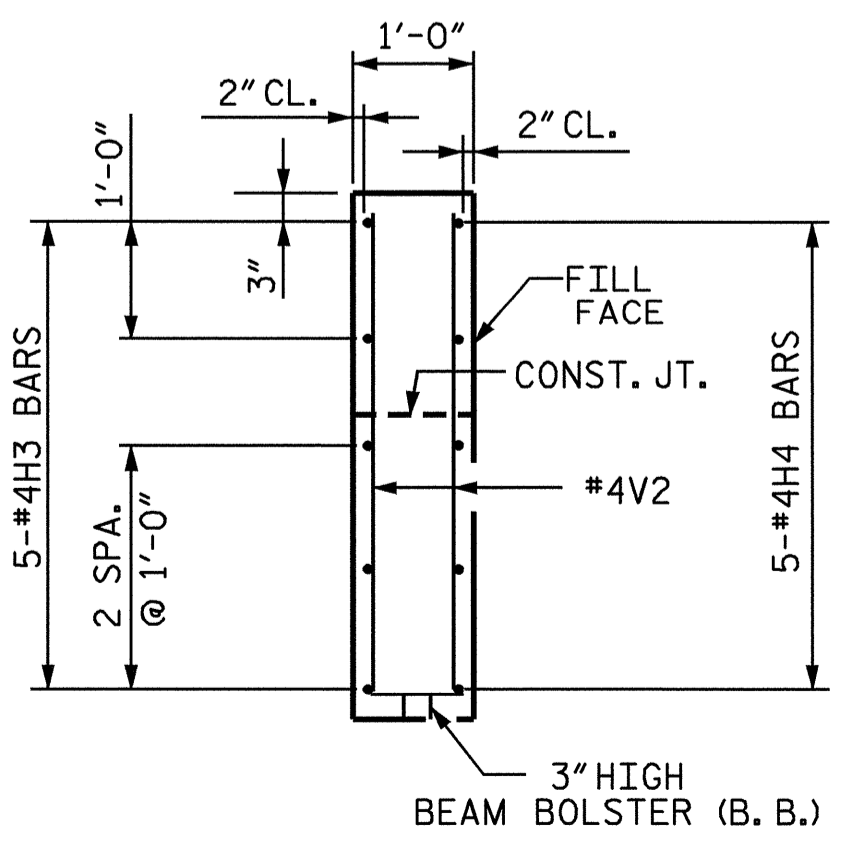
ELEVATION OF LEFT WING (W1)



ELEVATION OF RIGHT WING (W2)



SECTION X-X



SECTION Y-Y

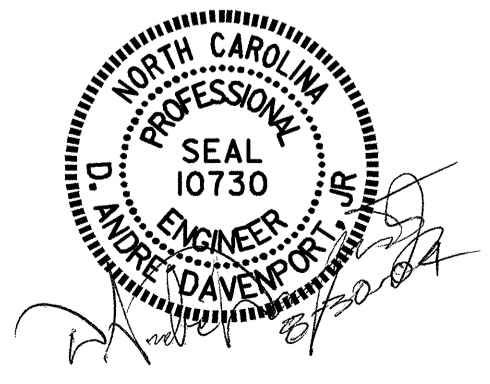
DRAWN BY: ADAM A COLE DATE: 6/29/04
 CHECKED BY: SP LAM DATE: 7/8/04

PROJECT NO. B-4320
 WAYNE/DUPLIN COUNTY
 STATION: 16+47.50 -L-

SHEET 2 OF 3

STATE OF NORTH CAROLINA
 DEPARTMENT OF TRANSPORTATION
 RALEIGH

SUBSTRUCTURE
 END BENT 1



REVISIONS						SHEET NO. S-10
NO.	BY:	DATE:	NO.	BY:	DATE:	
1			3			TOTAL SHEETS 22
2			4			