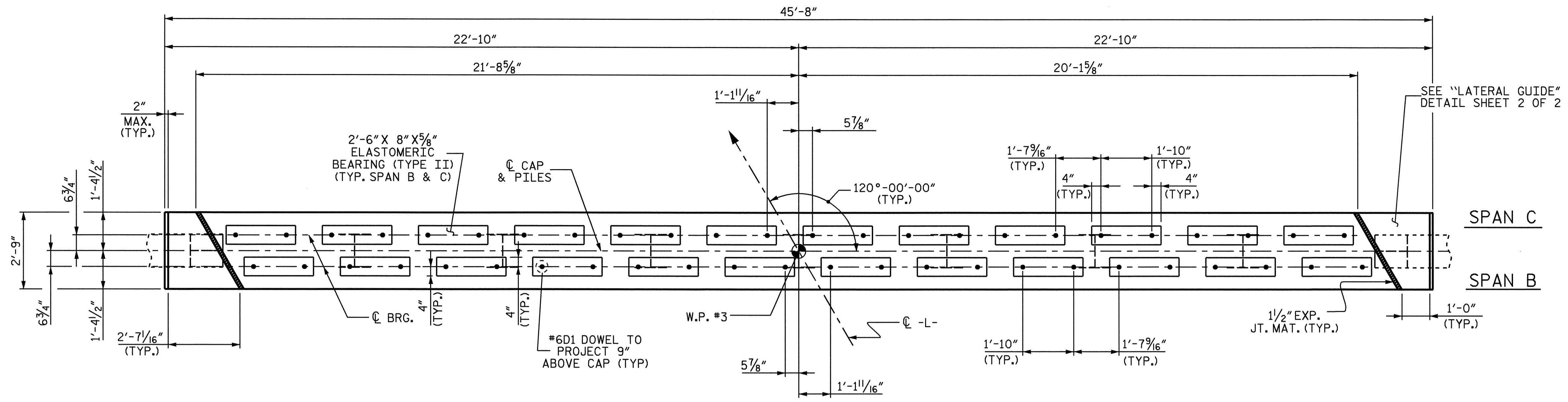


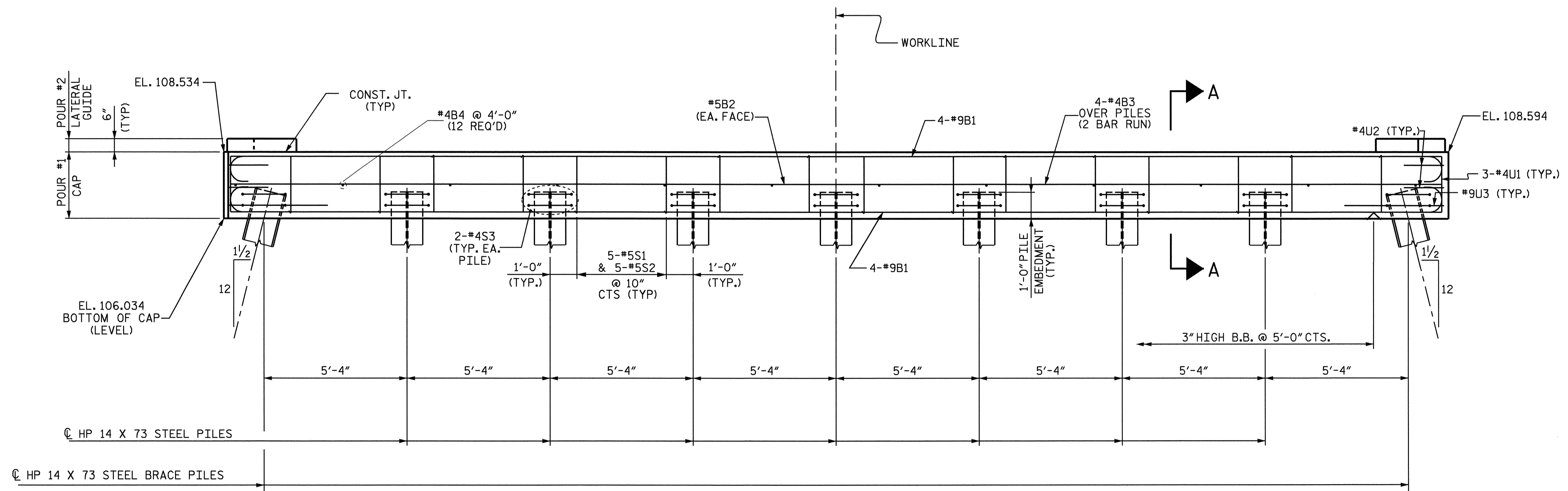
NOTES

STIRRUPS IN CAP MAY BE SHIFTED AS NECESSARY TO CLEAR DOWELS.

THE LATERAL GUIDE AT EACH END OF THE CAP IS NOT TO BE POURED UNTIL AFTER THE CORED SLAB UNITS ARE IN PLACE.



PLAN

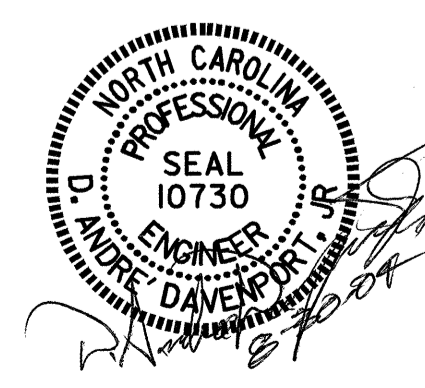


ELEVATION

PROJECT NO. B-4320
WAYNE/DUPLIN COUNTY
 STATION: 16+47.50 -L-

SHEET 1 OF 2

STATE OF NORTH CAROLINA DEPARTMENT OF TRANSPORTATION RALEIGH					
SUBSTRUCTURE BENT #2					
REVISIONS					SHEET NO.
NO.	BY:	DATE:	NO.	BY:	DATE:
1			3		
2			4		
TOTAL SHEETS					22



DRAWN BY : ADAM A. COLE DATE : 7/15/04
 CHECKED BY : SP LAM DATE : 8/04

30-AUG-2004 11:11
 w:\squad\jnb4320\acole\Microstation\B4320_BENT_01.dgn
 odavenport

NCB06