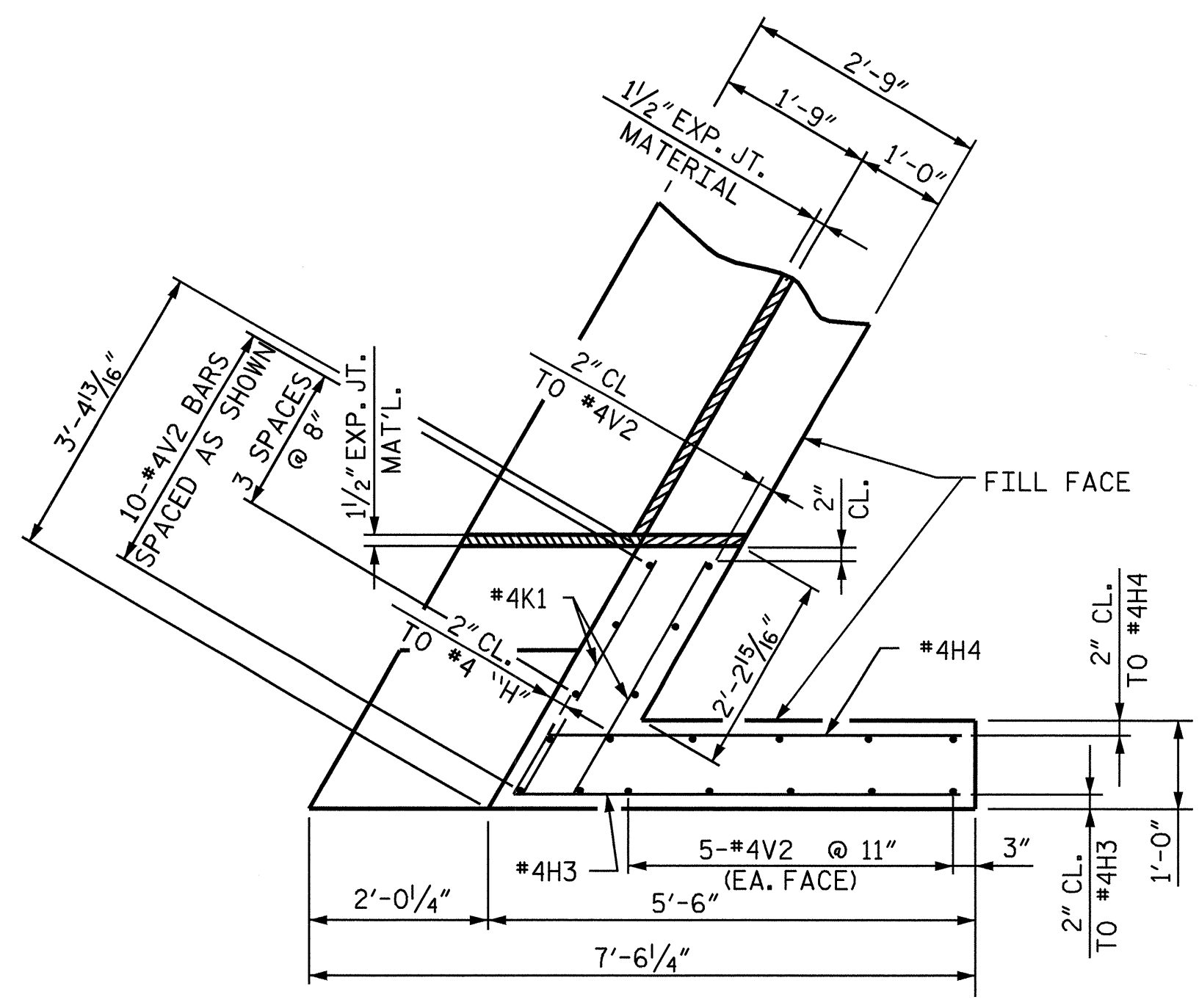
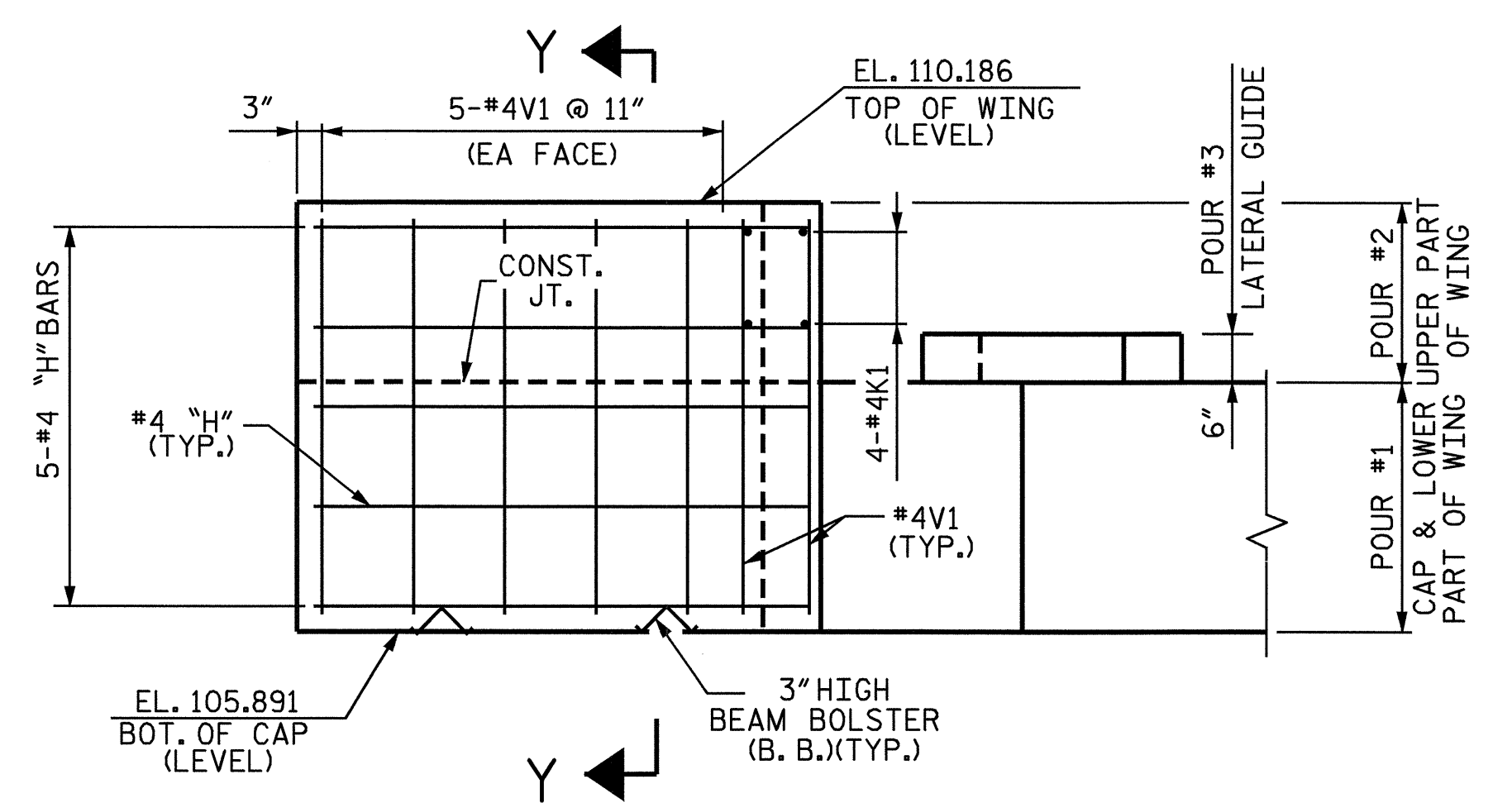


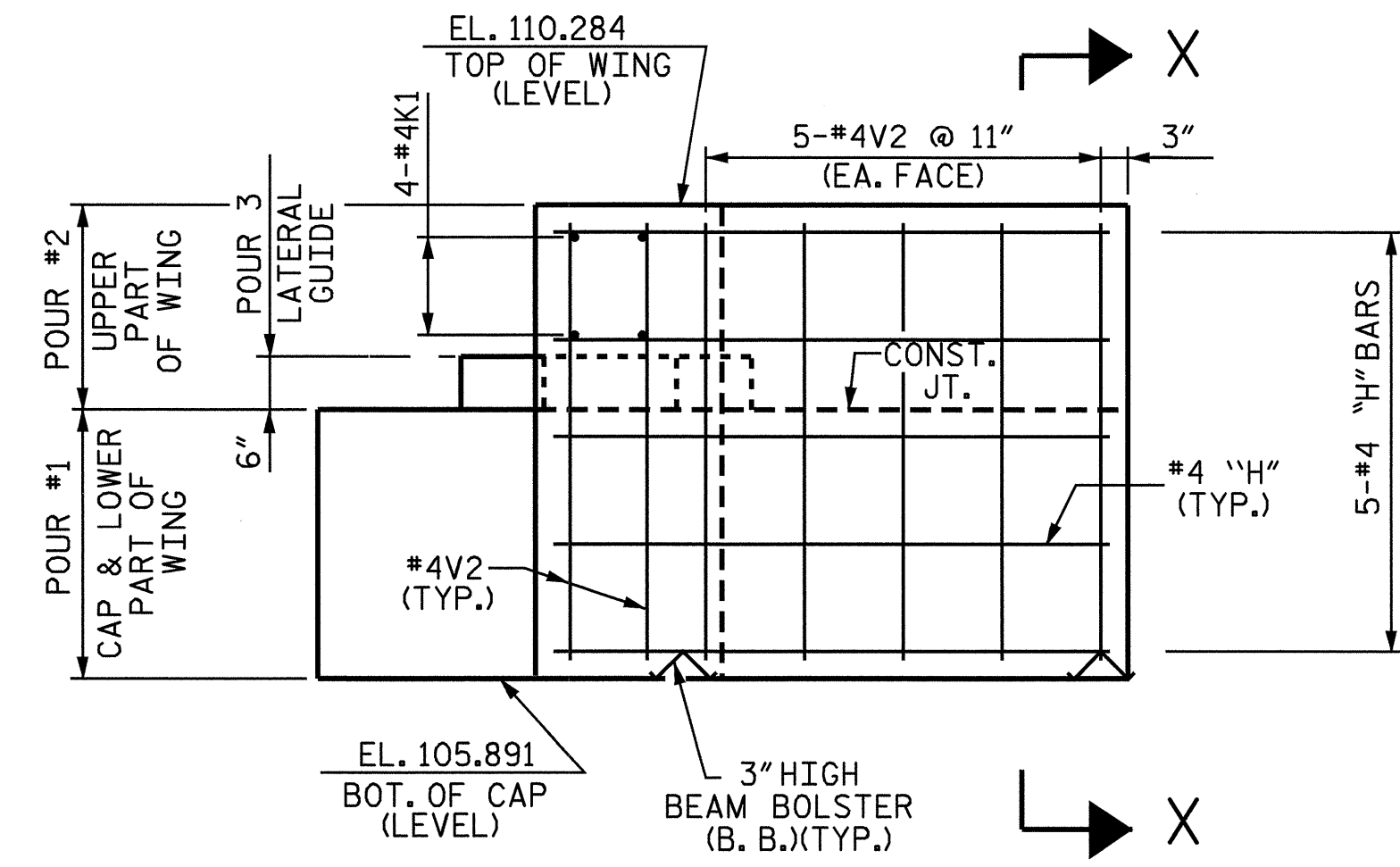
PLAN OF LEFT WING (W1)



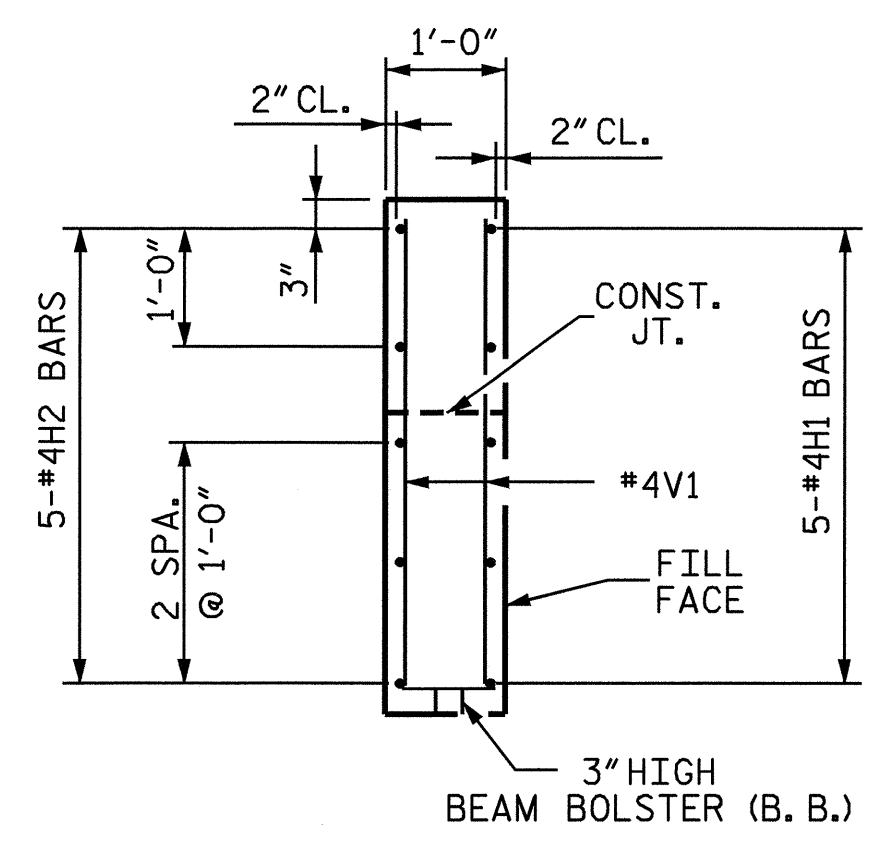
PLAN OF RIGHT WING (W2)



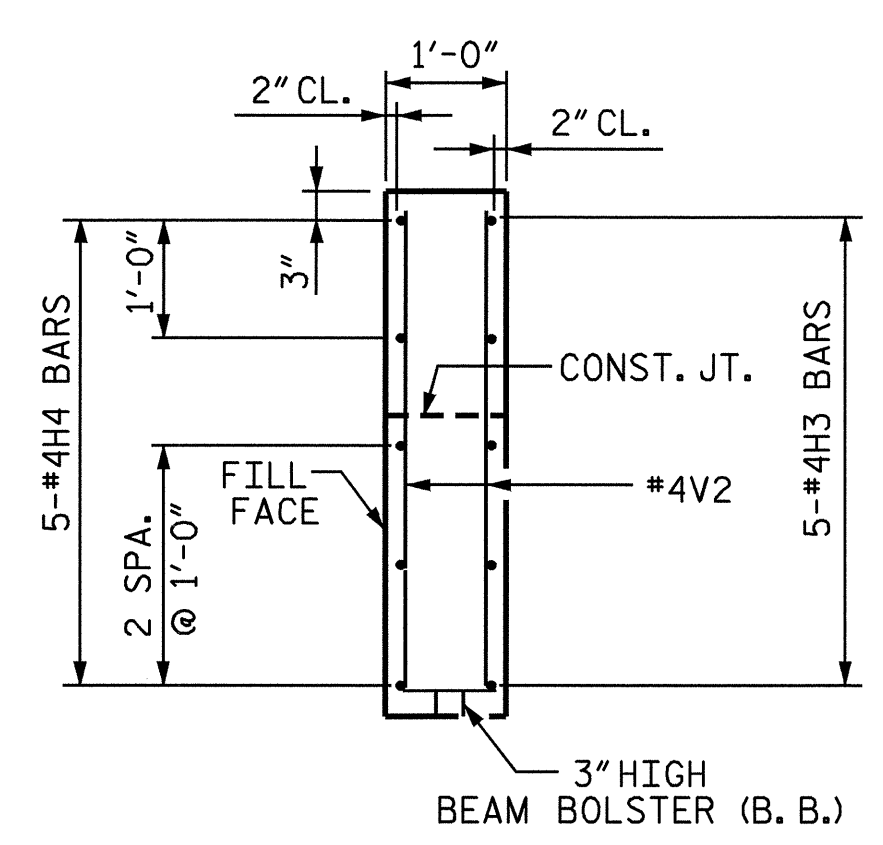
ELEVATION OF LEFT WING (W1)



ELEVATION OF RIGHT WING (W2)



SECTION Y-Y



SECTION X-X

DRAWN BY: ADAM A. COLE DATE: 6/29/04
CHECKED BY: SP LAM DATE: 7/8/04

PROJECT NO. B-4320
WAYNE/DUPLIN COUNTY
STATION: 16+47.50 -L-
SHEET 2 OF 3

STATE OF NORTH CAROLINA DEPARTMENT OF TRANSPORTATION RALEIGH						SHEET NO. S-17
SUBSTRUCTURE END BENT 2						TOTAL SHEETS 22
REVISIONS						NO.
NO.	BY:	DATE:	NO.	BY:	DATE:	
1			3			
2			4			

