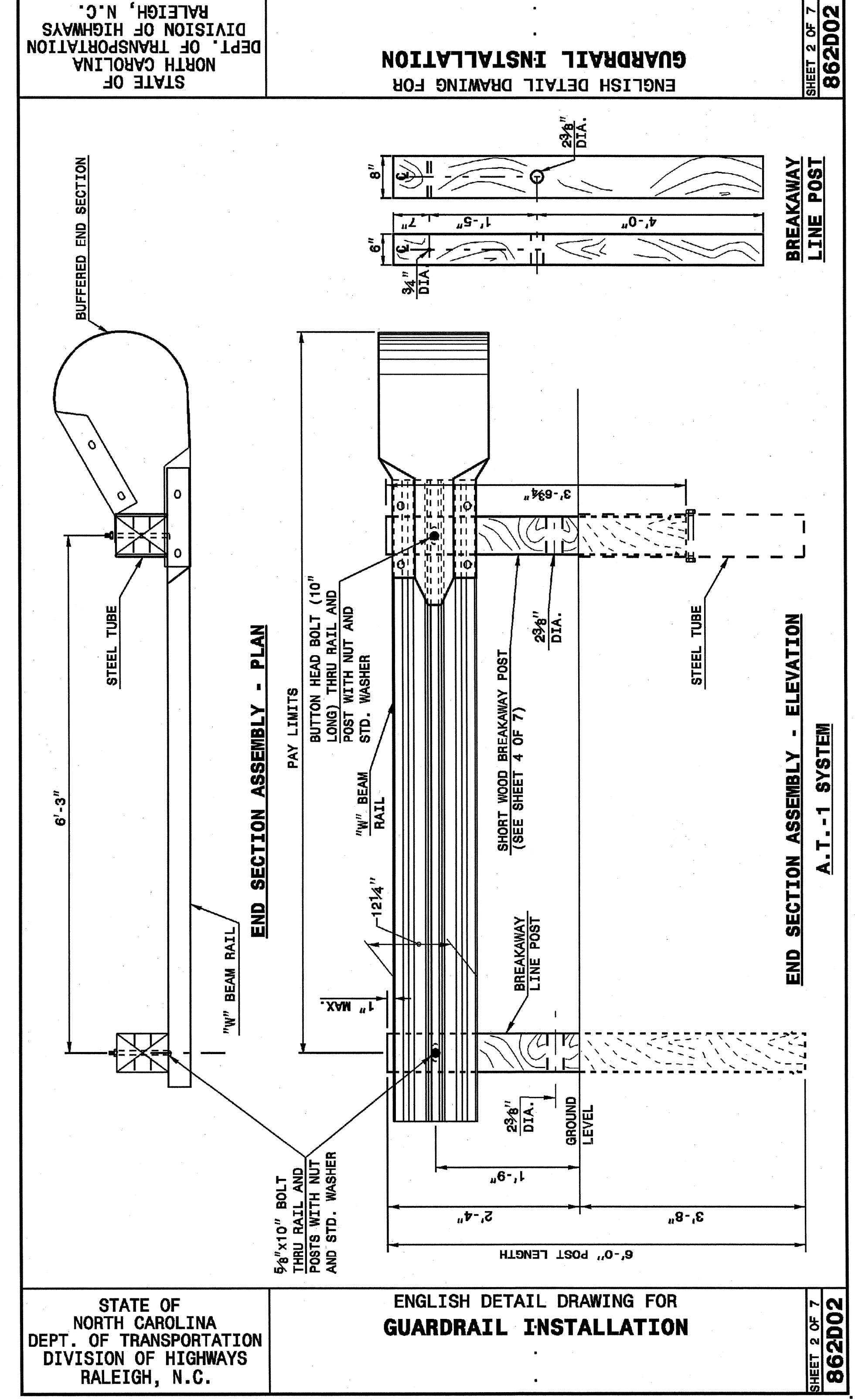
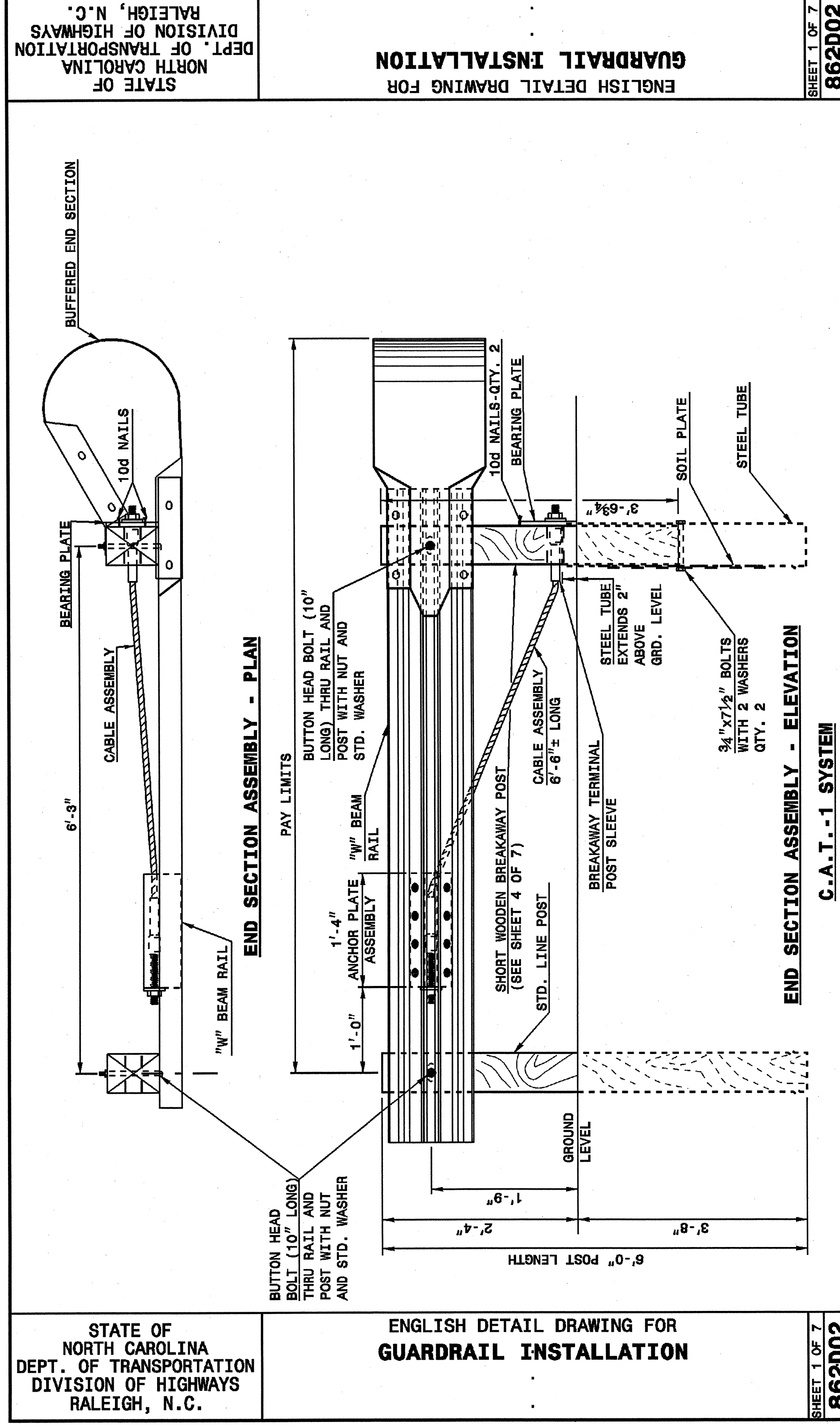


22-MAY-2003 13:39
 J:\Special Details\english\86202\086202.dgn
 5/14/99



**DESIGN SERVICES UNIT
STANDARDS AND SPECIAL DESIGN**
Office 919-250-4128 FAX 919-250-4119

SEE PLATE FOR TITLE

ORIGINAL BY: 2002 STD.862.02 DATE:
 MODIFIED BY: E.E. WARD DATE: 02-09-03
 CHECKED BY: DATE:
 FILE SPEC.: jusr/stds/02stdetail1/eng/lish/862d02.dgn