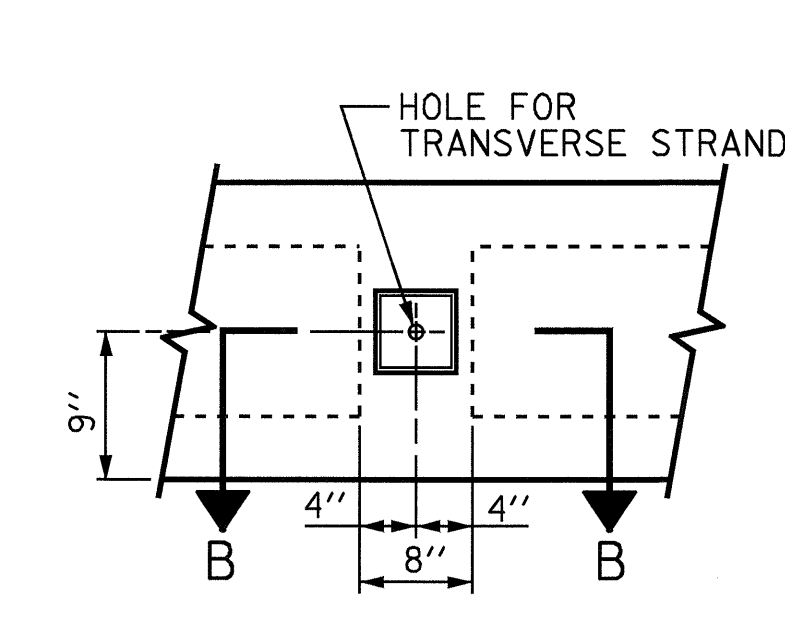


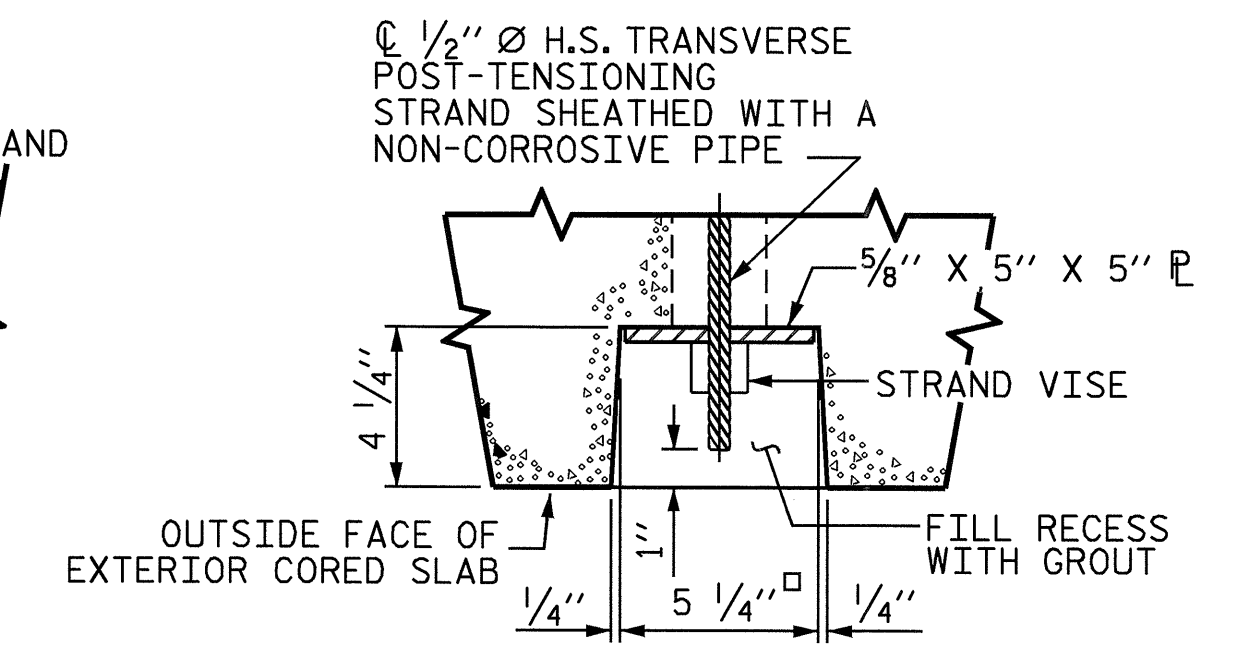
HALF SECTION
AT INTERMEDIATE DIAPHRAGM

HALF SECTION
AT BENTS AND END BENTS

TYPICAL SECTION

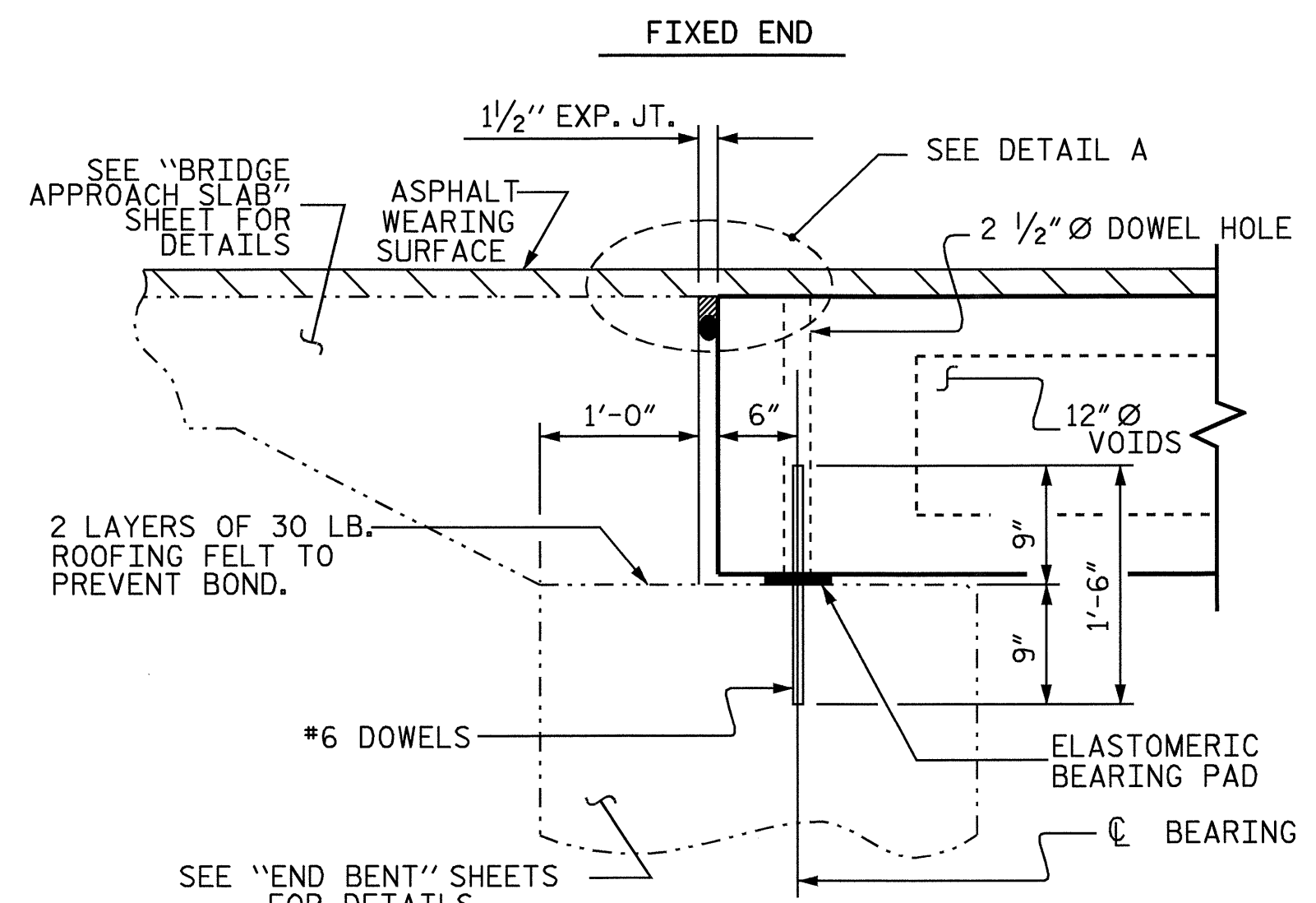


ELEVATION VIEW

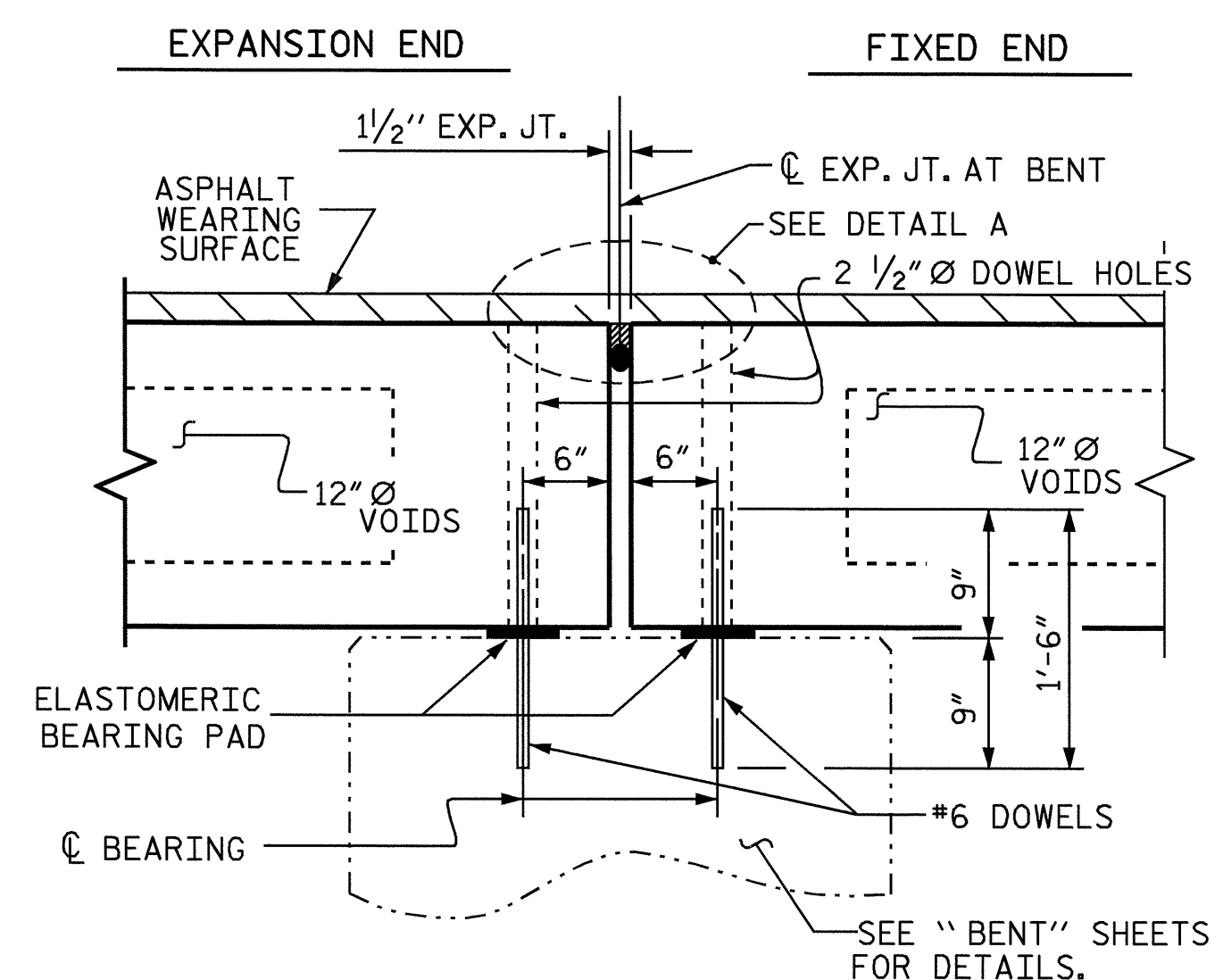


SECTION B-B

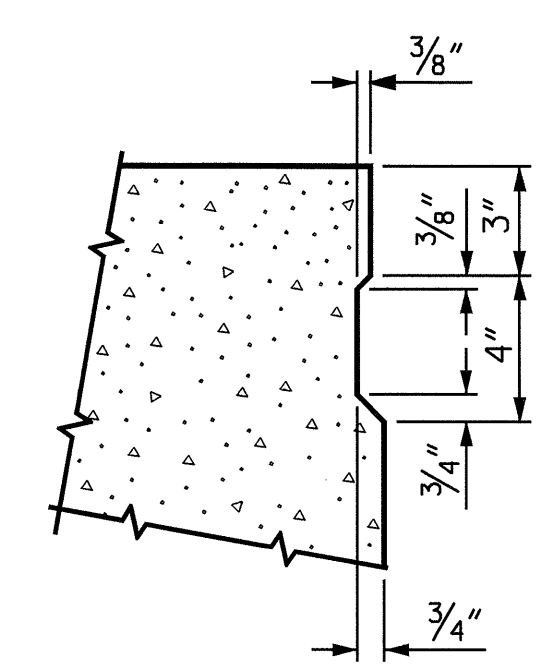
**GRAUTED RECESS AT END OF
POST-TENSIONED STRAND CORED SLABS**



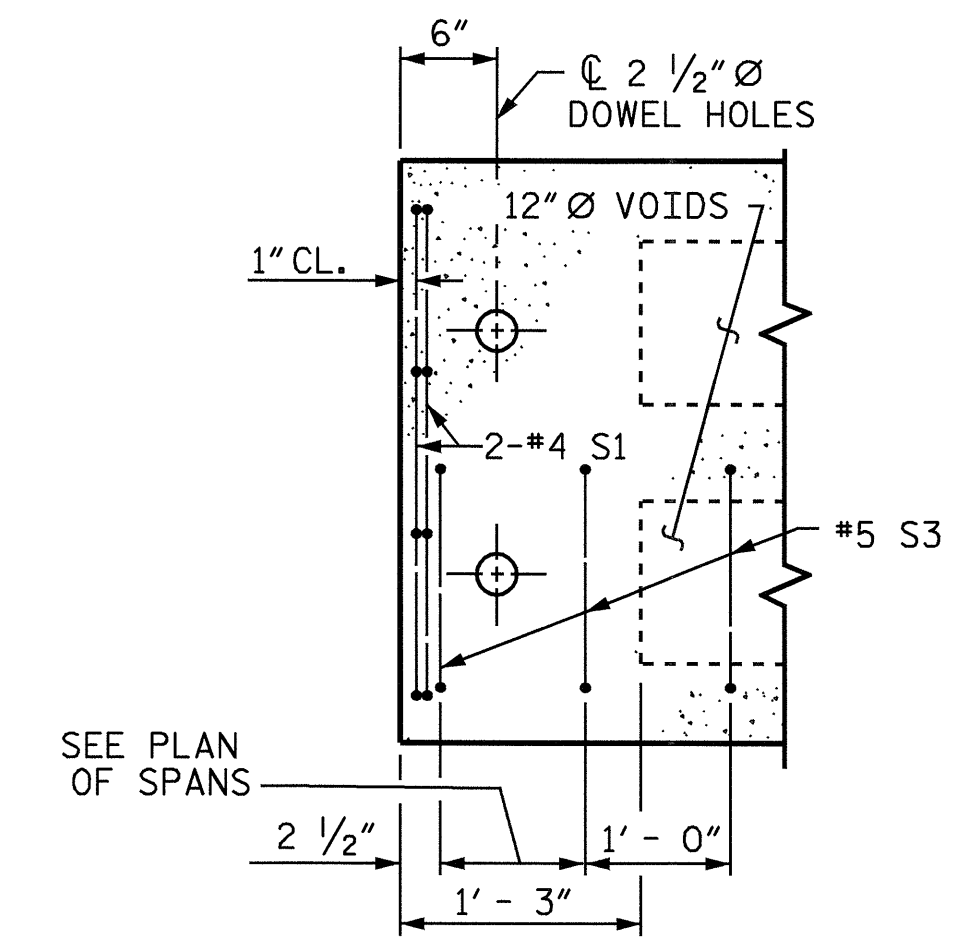
SECTION AT END BENT



SECTION AT BENT

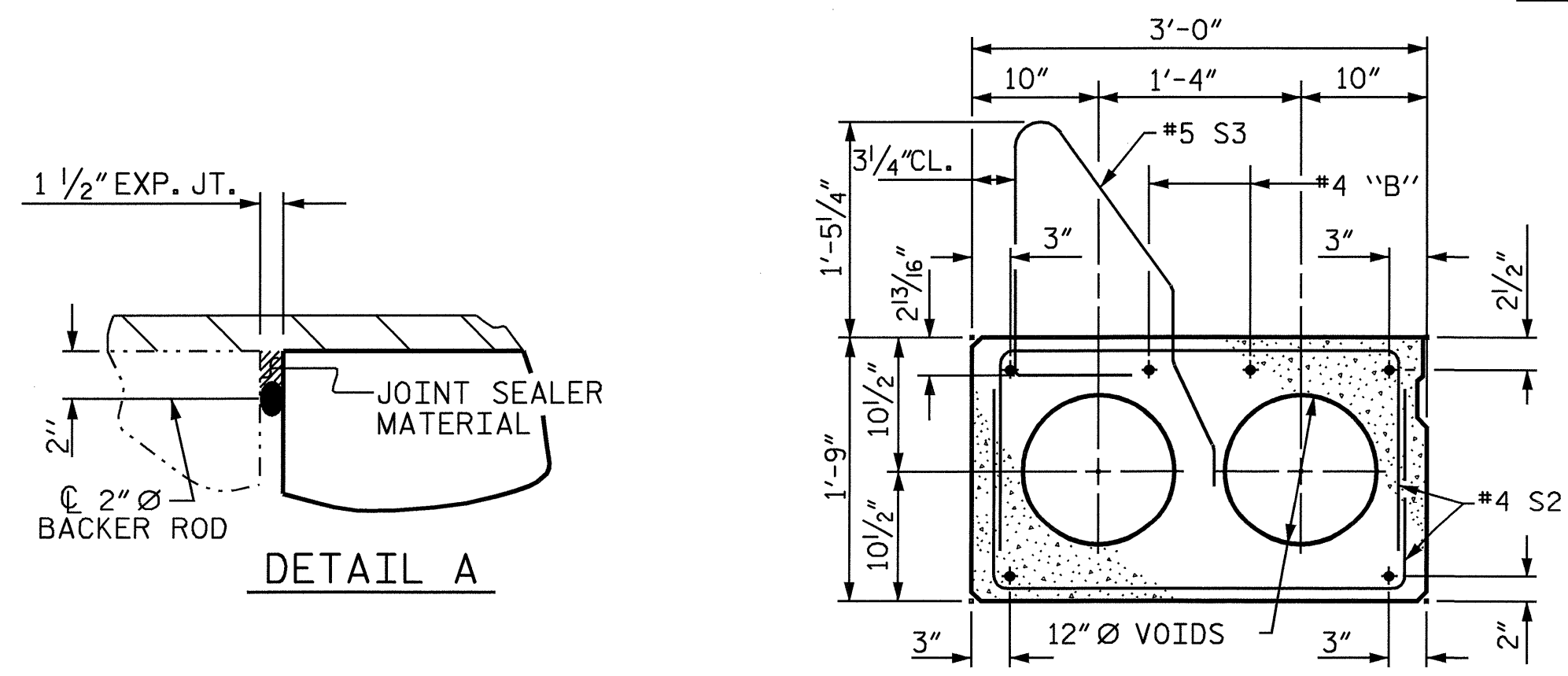


SHEAR KEY DETAIL
NOTE: OMIT SHEAR KEY ON OUTSIDE FACE OF EXTERIOR CORED SLABS.

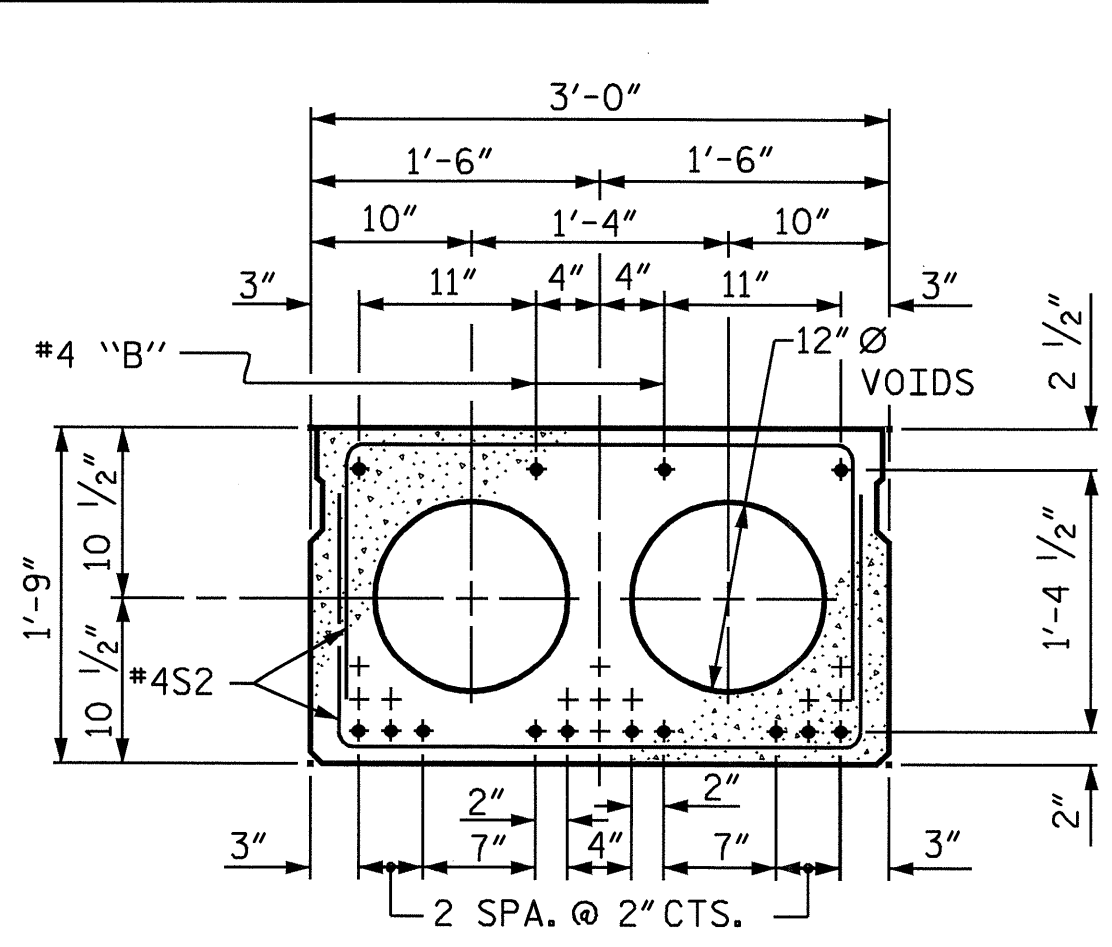


PART PLAN-EXTERIOR SECTION

NOTE: EXTERIOR SECTION SHOWN-INTERIOR SECTION SIMILAR EXCEPT OMIT S3 BARS.

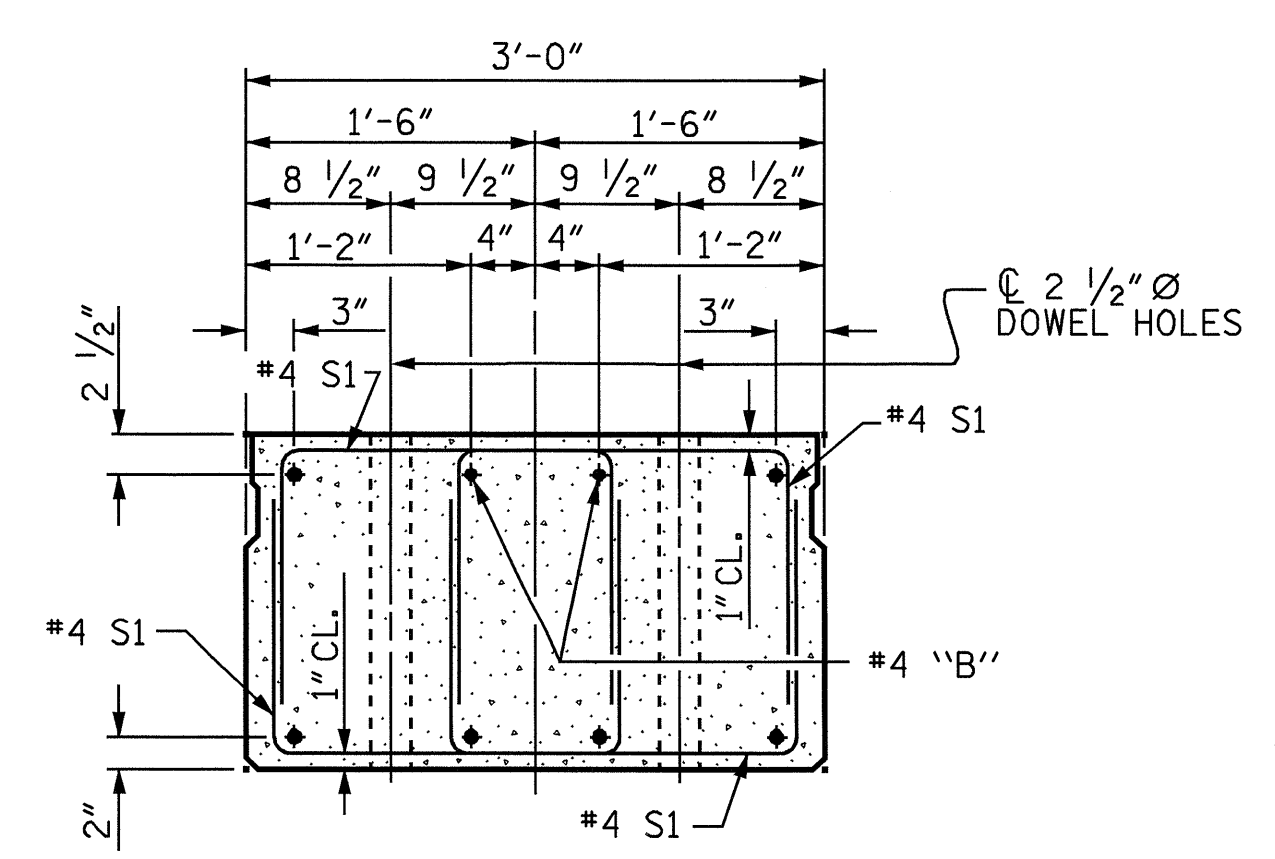


EXTERIOR SLAB SECTION
(FOR PRESTRESSED STRAND LAYOUT, SEE INTERIOR SLAB SECTION.)



INTERIOR SLAB SECTION

**1/2" Ø LOW RELAXATION
STRAND LAYOUT**

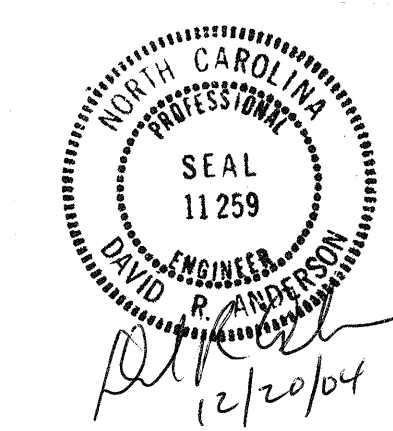


END ELEVATION

SHOWING PLACEMENT OF DOUBLE STIRRUPS AND LOCATION OF DOWEL HOLES. (STRAND LAYOUT NOT SHOWN.) INTERIOR SLAB SECTION SHOWN-EXTERIOR SLAB SECTION SIMILAR EXCEPT SHEAR KEY LOCATION.

PROJECT NO. B-3906
SAMPSON COUNTY
STATION: 22+15.00 -L-
SHEET 1 OF 6

STATE OF NORTH CAROLINA
DEPARTMENT OF TRANSPORTATION
RALEIGH
STANDARD
3'-0" X 1'-9"
PRESTRESSED CONCRETE
CORED SLAB UNITS



REVISIONS						SHEET NO.	
NO.	BY:	DATE:	NO.	BY:	DATE:	S-4	
1			3			TOTAL	38
2			4			SHEETS	

DRAWN BY: N. Q. TRAN DATE: 4/4/04
CHECKED BY: S. M. RASHIDI DATE: 8-23-04