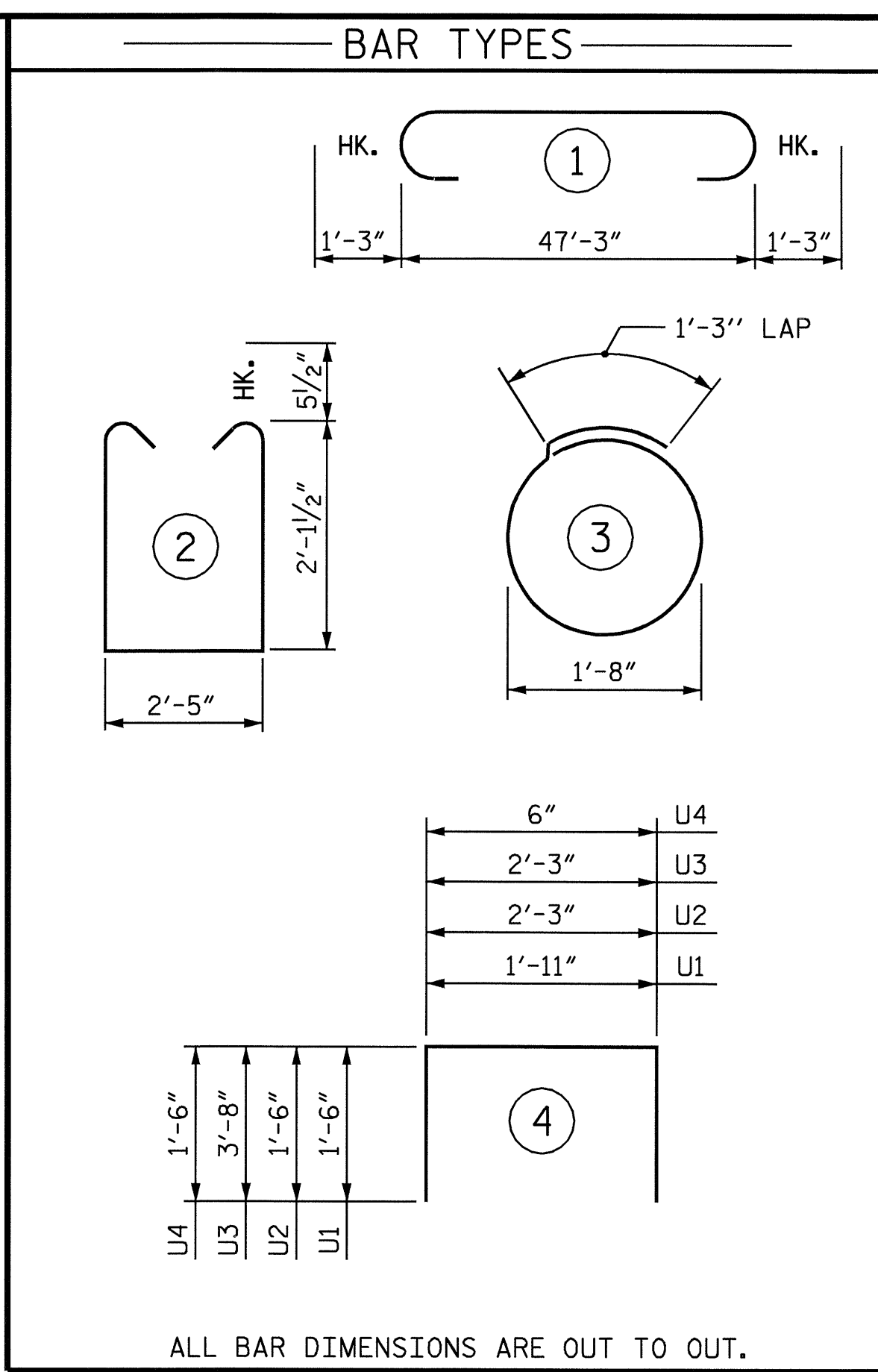
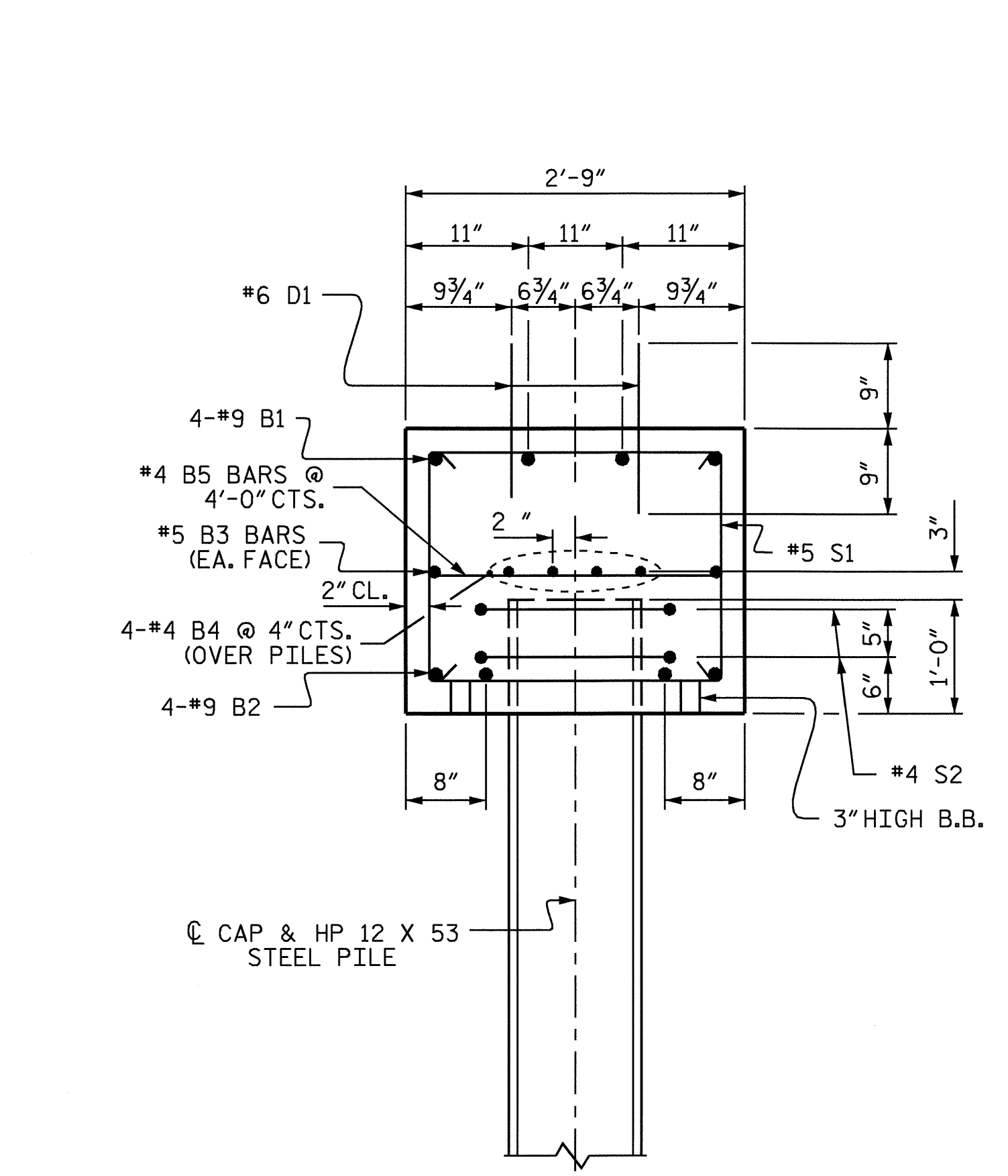


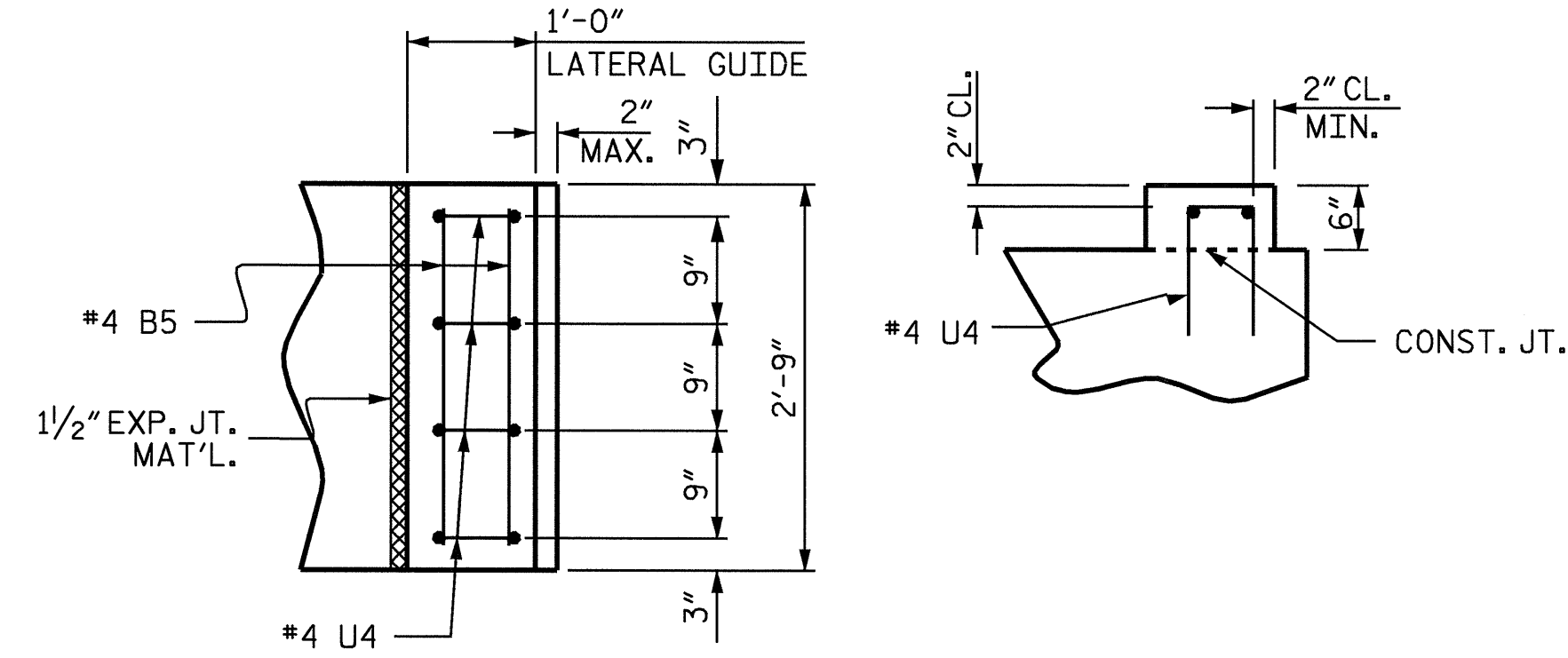
PLAN OF STEEL PILES



BILL OF MATERIAL					
BENT 1					
BAR NO.	SIZE	TYPE	LENGTH	WEIGHT	
B1	4	9	1	49'-9"	677
B2	4	9	STR	47'-3"	643
B3	2	5	STR	47'-3"	99
B4	8	4	STR	24'-10"	133
B5	16	4	STR	2'-5"	26
S1	41	5	2	7'-7"	324
S2	16	4	3	6'-6"	69
D1	60	6	STR	1'-6"	135
U1	6	4	4	4'-11"	20
U2	4	4	4	5'-3"	14
U3	2	9	4	9'-7"	65
U4	8	4	4	3'-6"	19
REINFORCING STEEL				LBS.	2224
CLASS 'A' CONCRETE					
POUR #1				CU. YD.	12.1
POUR #2				CU. YD.	0.1
TOTAL:				CU. YD.	12.2
HP 12 X 53 STEEL PILES					
NO. 8				LINEAR FEET	360.0

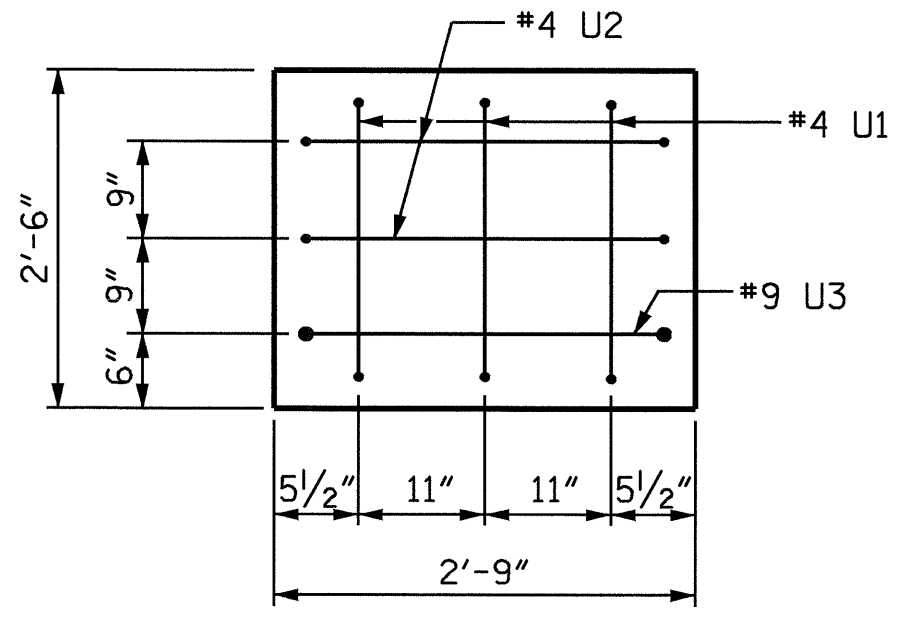


SECTION A-A

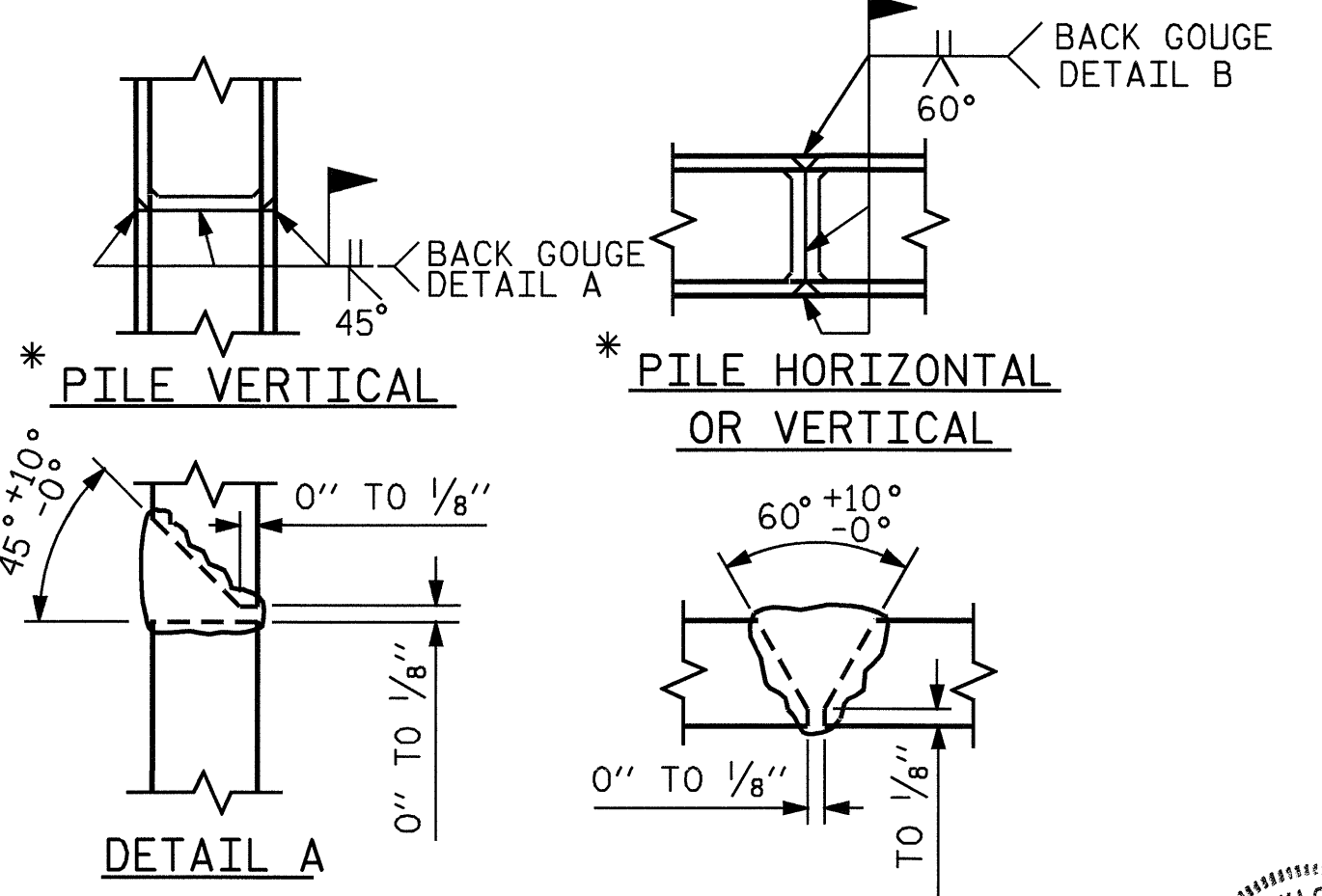


LATERAL GUIDE REINFORCING DETAIL

RIGHT END OF THE CAP SHOWN, LEFT END SIMILAR BY ROTATION



END VIEW



PILE SPLICE DETAILS

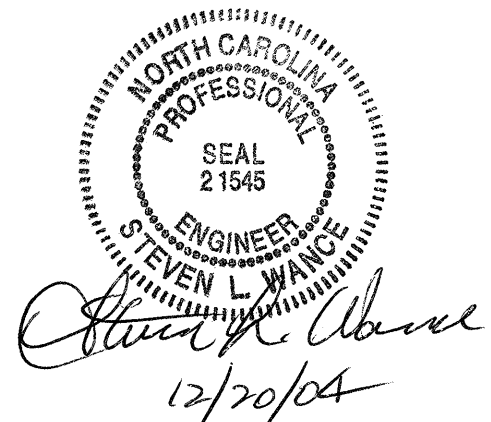
* POSITION OF PILE DURING WELDING.

BENT 2					
BAR NO.	SIZE	TYPE	LENGTH	WEIGHT	
B1	4	9	1	49'-9"	677
B2	4	9	STR	47'-3"	643
B3	2	5	STR	47'-3"	99
B4	8	4	STR	24'-10"	133
B5	16	4	STR	2'-5"	26
S1	41	5	2	7'-7"	324
S2	16	4	3	6'-6"	69
D1	60	6	STR	1'-6"	135
U1	6	4	4	4'-11"	20
U2	4	4	4	5'-3"	14
U3	2	9	4	9'-7"	65
U4	8	4	4	3'-6"	19
REINFORCING STEEL				LBS.	2224
CLASS 'A' CONCRETE					
POUR #1				CU. YD.	12.1
POUR #2				CU. YD.	0.1
TOTAL:				CU. YD.	12.2
HP 12 X 53 STEEL PILES					
NO. 8				LINEAR FEET	360.0

PROJECT NO. B-3906
SAMPSON COUNTY
 STATION: 22+15.00 -L-
 SHEET 2 OF 2

STATE OF NORTH CAROLINA
 DEPARTMENT OF TRANSPORTATION
 RALEIGH

SUBSTRUCTURE
 BENTS 1 & 2



REVISIONS				SHEET NO.
NO.	BY:	DATE:	NO.	DATE:
1			3	
2			4	

TOTAL SHEETS: 38

DRAWN BY: W.K. FISCHER DATE: 6/4/04
 CHECKED BY: S. WANCE DATE: 6/11/04