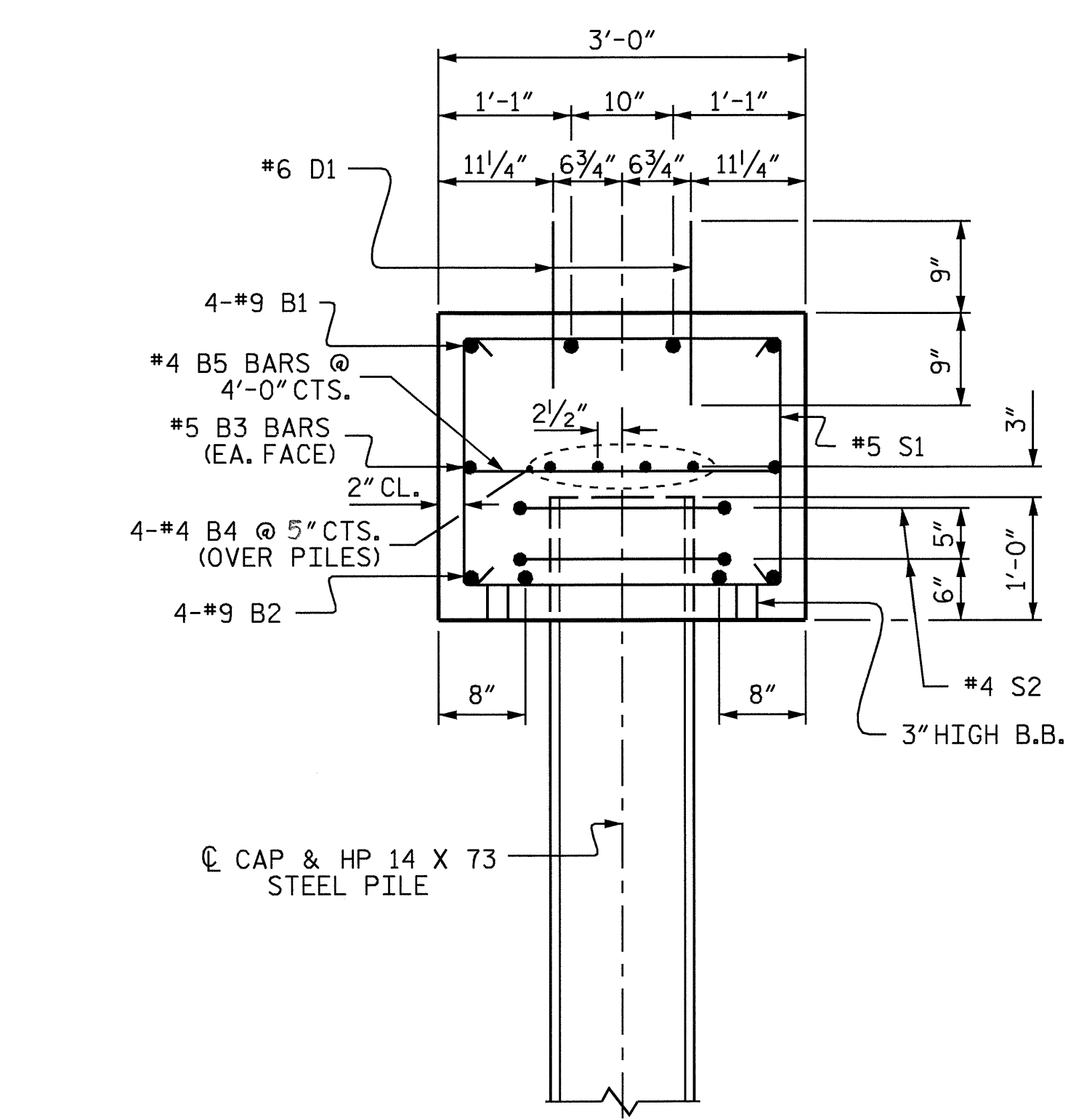
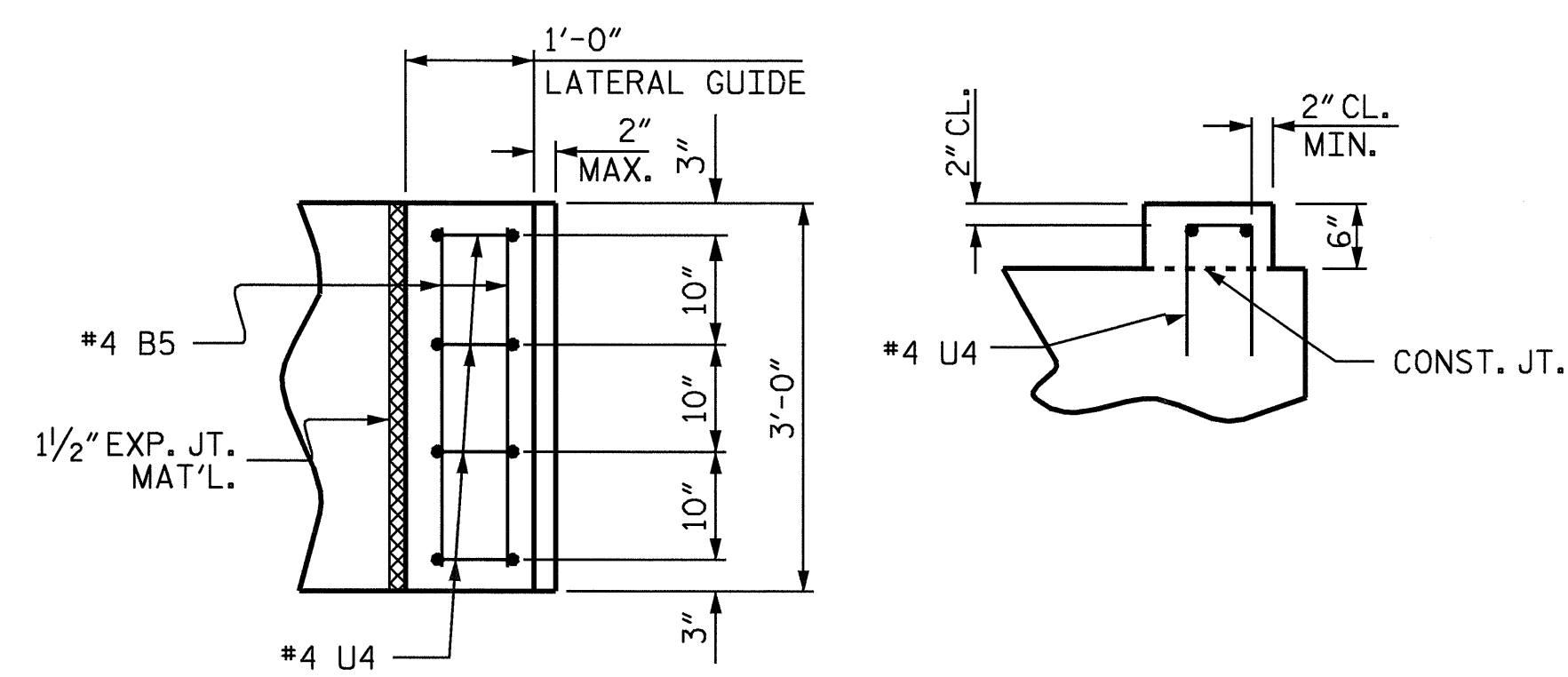


**PLAN OF STEEL PILES**

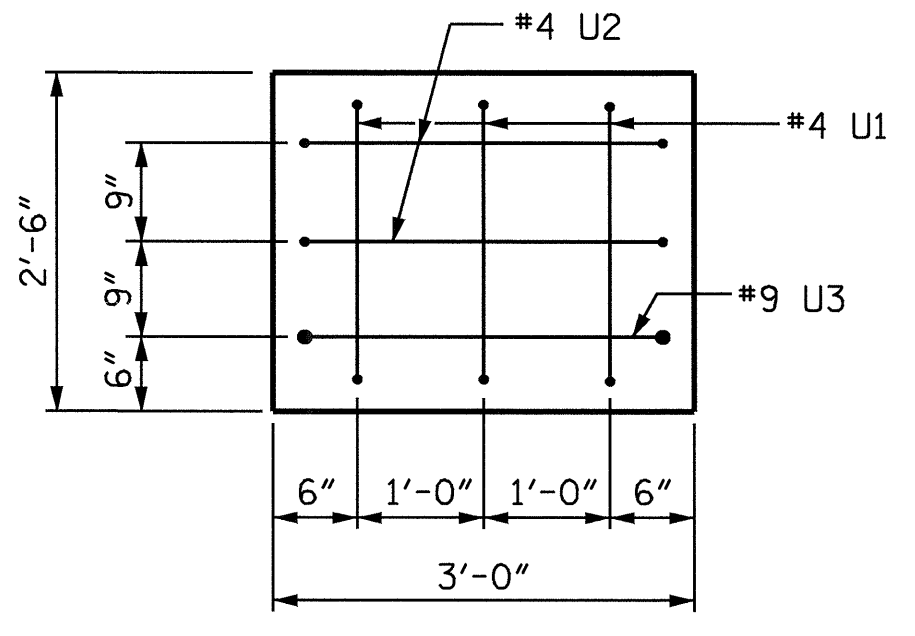


**SECTION A-A**

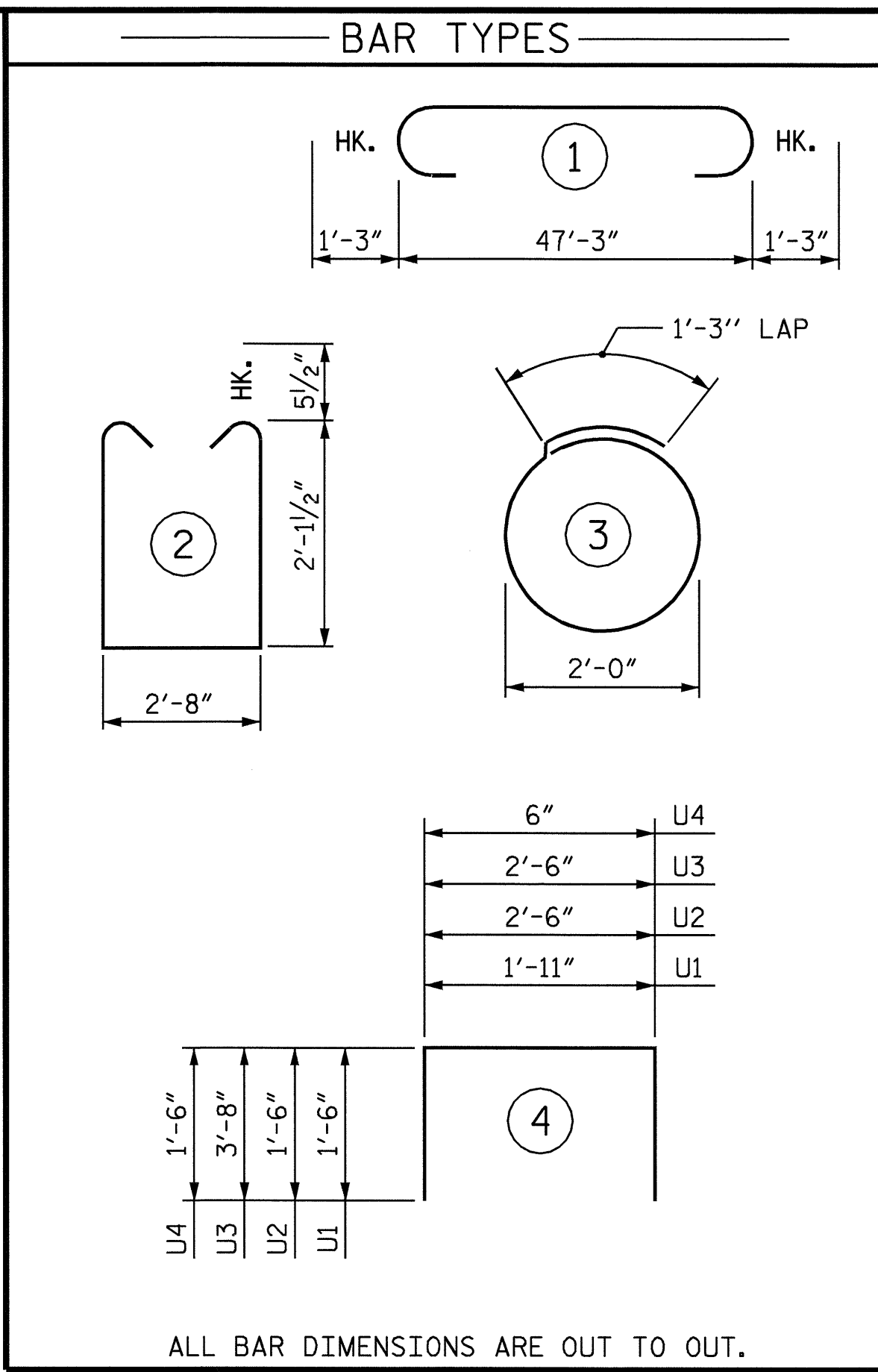


**LATERAL GUIDE REINFORCING DETAIL**

RIGHT END OF THE CAP SHOWN, LEFT END SIMILAR BY ROTATION



**END VIEW**

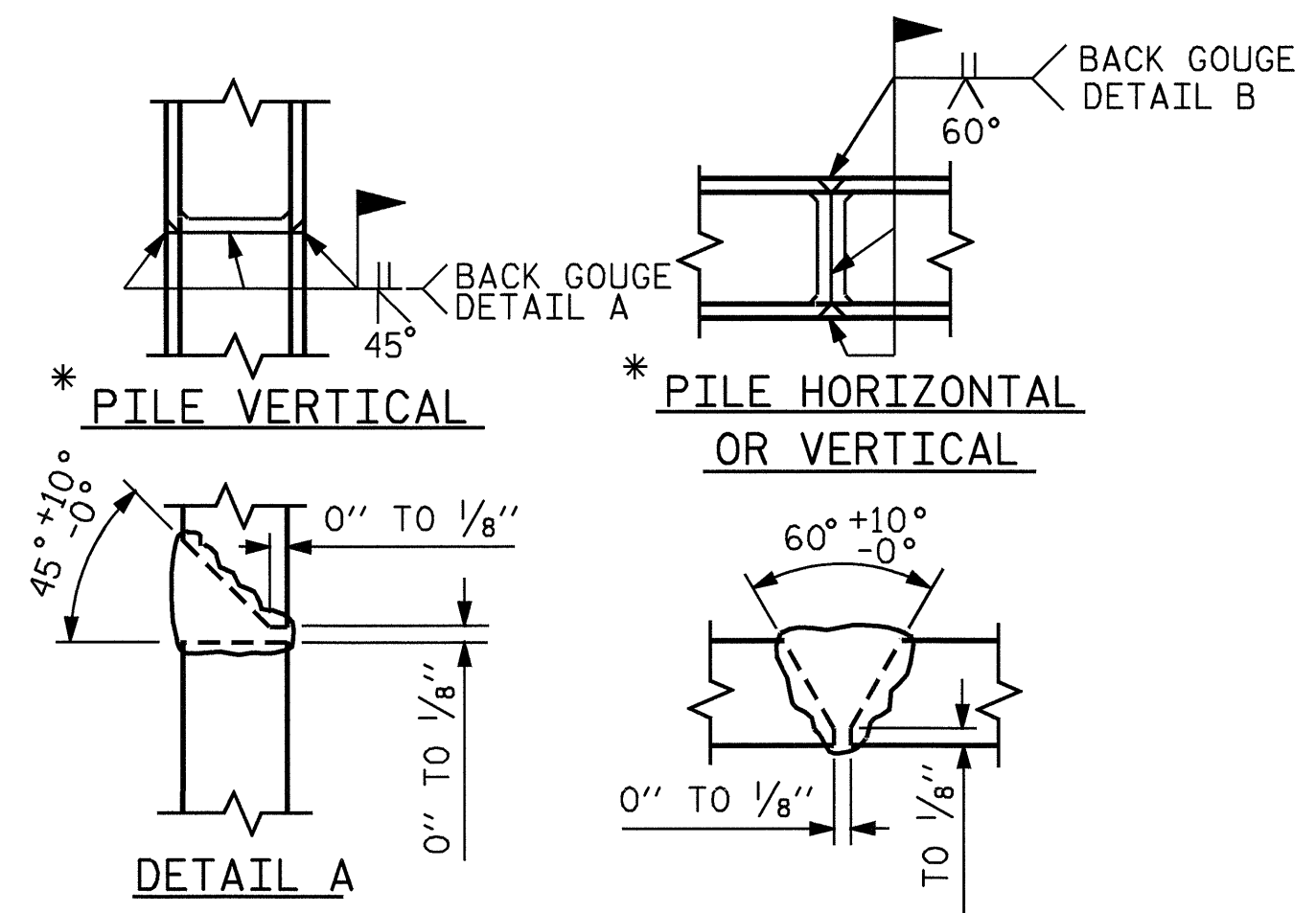


**BAR TYPES**

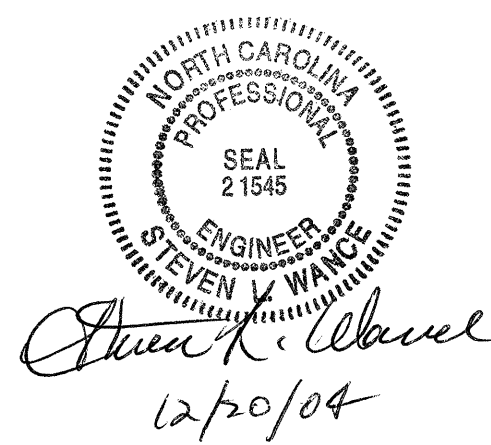
ALL BAR DIMENSIONS ARE OUT TO OUT.

**BILL OF MATERIAL**

BENT 1					
BAR NO.	SIZE	TYPE	LENGTH	WEIGHT	
B1	4	9	1	49'-9"	677
B2	4	9	STR	47'-3"	643
B3	2	5	STR	47'-3"	99
B4	8	4	STR	24'-10"	133
B5	16	4	STR	2'-8"	29
S1	38	5	2	7'-10"	310
S2	18	4	3	7'-7"	91
D1	60	6	STR	1'-6"	135
U1	6	4	4	4'-11"	20
U2	4	4	4	5'-6"	15
U3	2	9	4	9'-10"	67
U4	8	4	4	3'-6"	19
REINFORCING STEEL			LBS.	2238	
CLASS 'A' CONCRETE					
POUR #1			CU. YD.	13.2	
POUR #2			CU. YD.	0.1	
TOTAL:			CU. YD.	13.3	
HP 14 X 73 STEEL PILES					
NO. 9			LINEAR FEET	360.0	
BENT 2					
BAR NO.	SIZE	TYPE	LENGTH	WEIGHT	
B1	4	9	1	49'-9"	677
B2	4	9	STR	47'-3"	643
B3	2	5	STR	47'-3"	99
B4	8	4	STR	24'-10"	133
B5	16	4	STR	2'-8"	29
S1	38	5	2	7'-10"	310
S2	18	4	3	7'-7"	91
D1	60	6	STR	1'-6"	135
U1	6	4	4	4'-11"	20
U2	4	4	4	5'-6"	15
U3	2	9	4	9'-10"	67
U4	8	4	4	3'-6"	19
REINFORCING STEEL			LBS.	2238	
CLASS 'A' CONCRETE					
POUR #1			CU. YD.	13.2	
POUR #2			CU. YD.	0.1	
TOTAL:			CU. YD.	13.3	
HP 14 X 73 STEEL PILES					
NO. 9			LINEAR FEET	360.0	



**PILE SPLICE DETAILS**



PROJECT NO. B-3906  
SAMPSON COUNTY  
 STATION: 28+52.50 -L-  
 SHEET 2 OF 2

STATE OF NORTH CAROLINA  
 DEPARTMENT OF TRANSPORTATION  
 RALEIGH  
 SUBSTRUCTURE  
 BENTS 1 & 2

REVISIONS				SHEET NO.	
NO.	BY:	DATE:	NO.	BY:	DATE:
1			3		
2			4		
TOTAL SHEETS					38

DRAWN BY: W.K. FISCHER DATE: 6/4/04  
 CHECKED BY: S. WANCE DATE: 6/10/04