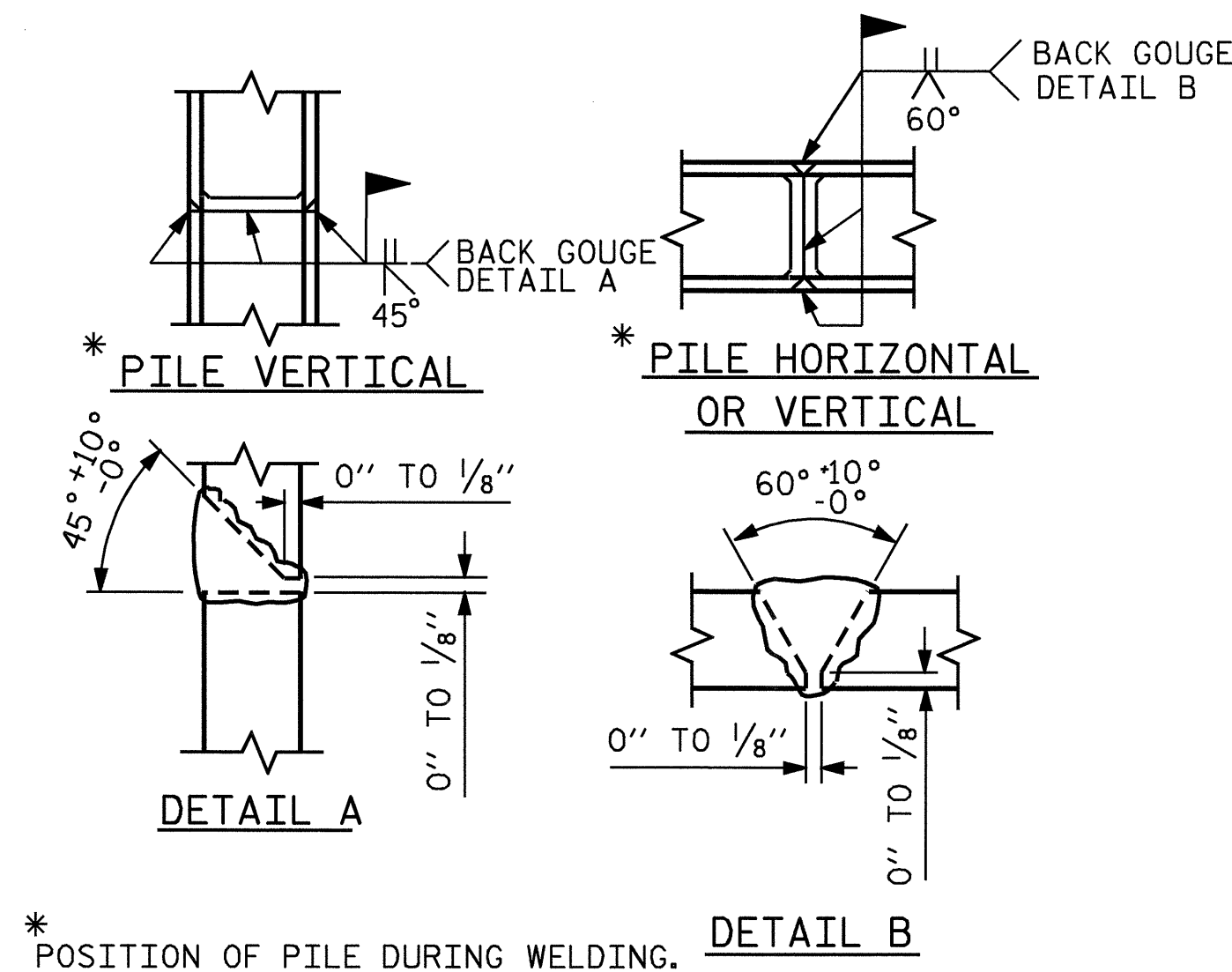


PLAN OF WING-W1

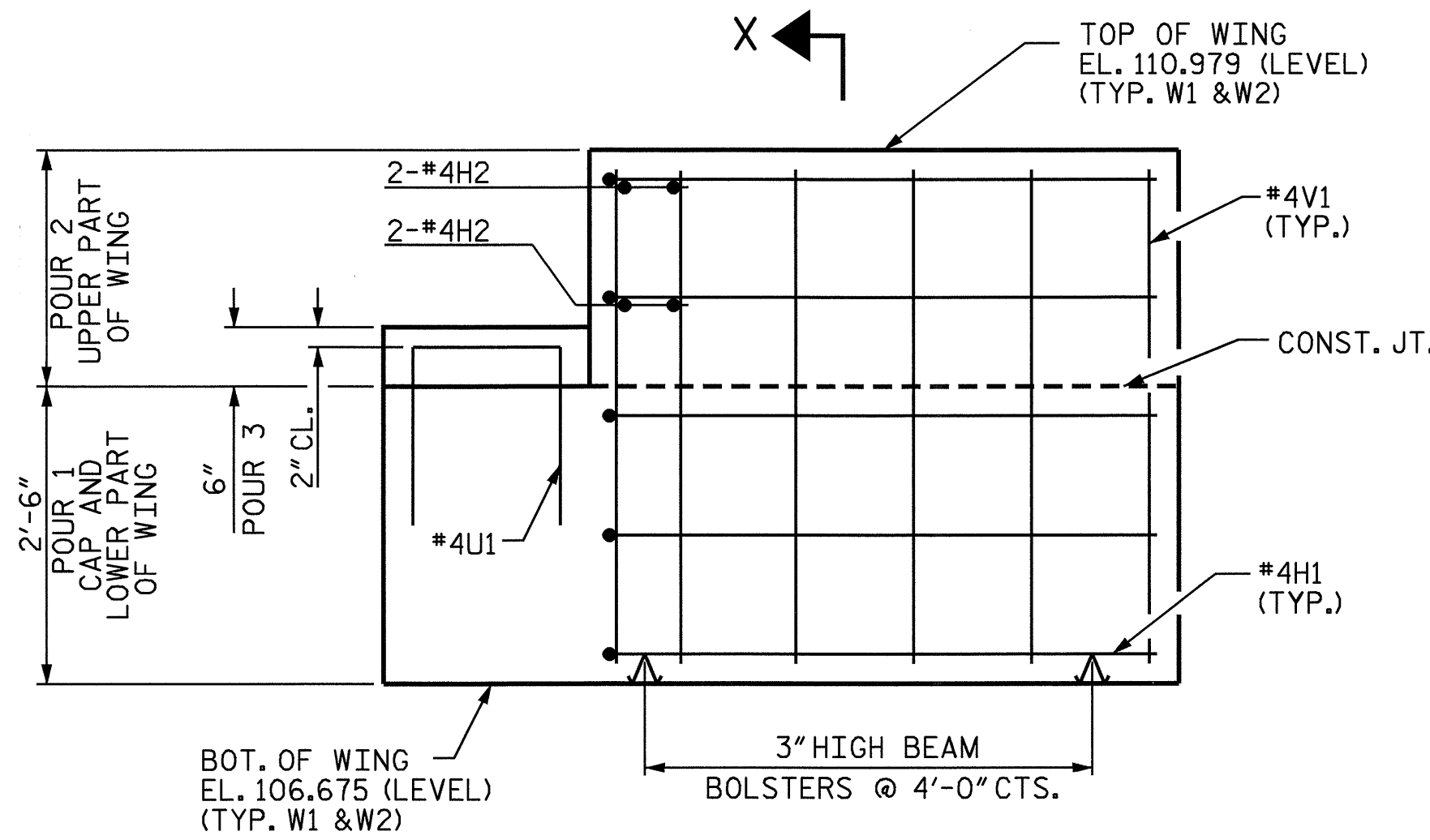
WING W1 SHOWN, WING W2 SIMILAR



PILE SPLICE DETAILS

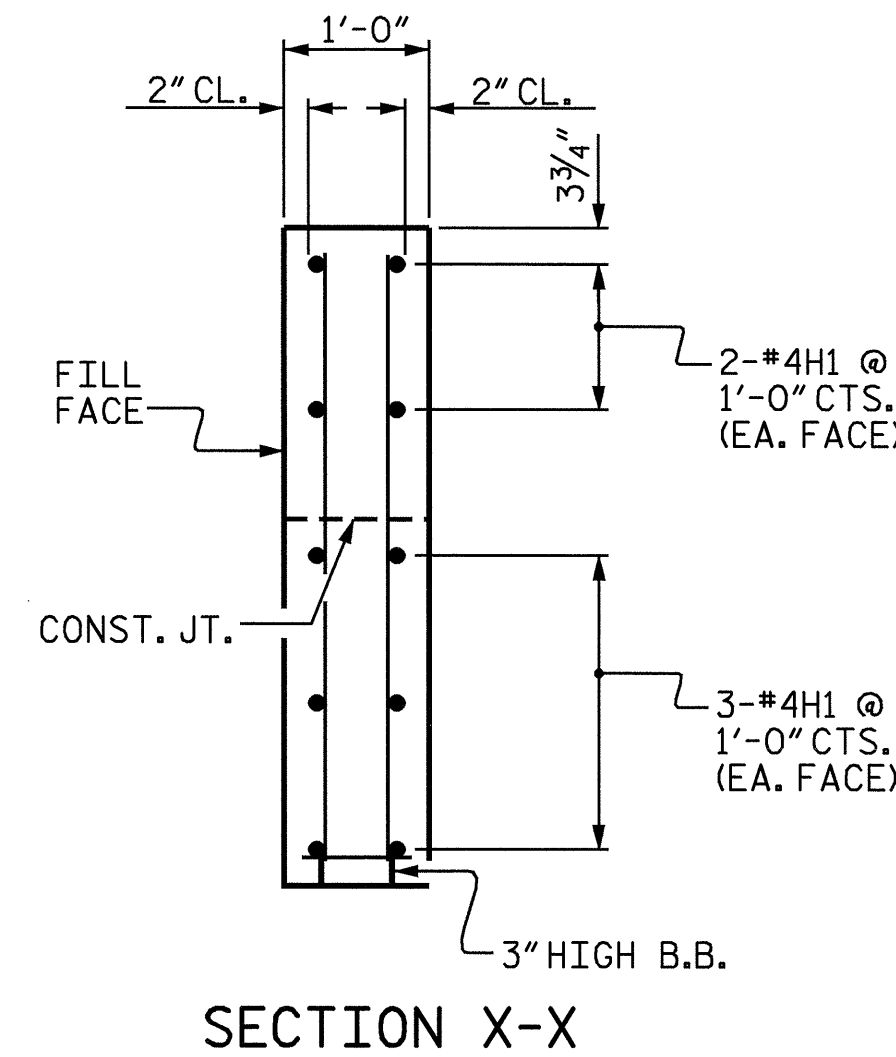
BAR TYPES					BILL OF MATERIAL						
BAR	NO.	SIZE	TYPE	LENGTH	WEIGHT	BAR	NO.	SIZE	TYPE	LENGTH	WEIGHT
B1	8	9	1	53'-0"	1442	D1	30	6	STR	1'-6"	68
B2	2	5	STR	50'-6"	105	H1	20	4	5	5'-3"	70
B3	8	4	STR	26'-6"	142	H2	8	4	STR	2'-6"	13
B4	13	4	STR	2'-5"	21	S1	44	4	4	7'-5"	218
						S2	44	4	2	3'-2"	93
						S3	16	4	3	6'-6"	69
						U1	4	4	6	4'-5"	12
						V1	32	4	STR	3'-9"	80
REINFORCING STEEL										2333 LBS.	
CLASS A CONCRETE BREAKDOWN											
POUR 1 - CAP AND LOWER PORTION OF WINGS										13.8 C.Y.	
POUR 2 - UPPER PORTION OF WINGS										1.0 C.Y.	
POUR 3 - LATERAL GUIDES										0.1 C.Y.	
CLASS A CONCRETE TOTAL										14.9 C.Y.	
HP 12 x 53 STEEL PILES											
NO. 8										320 LIN. FEET	

ALL BAR DIMENSIONS ARE OUT TO OUT.

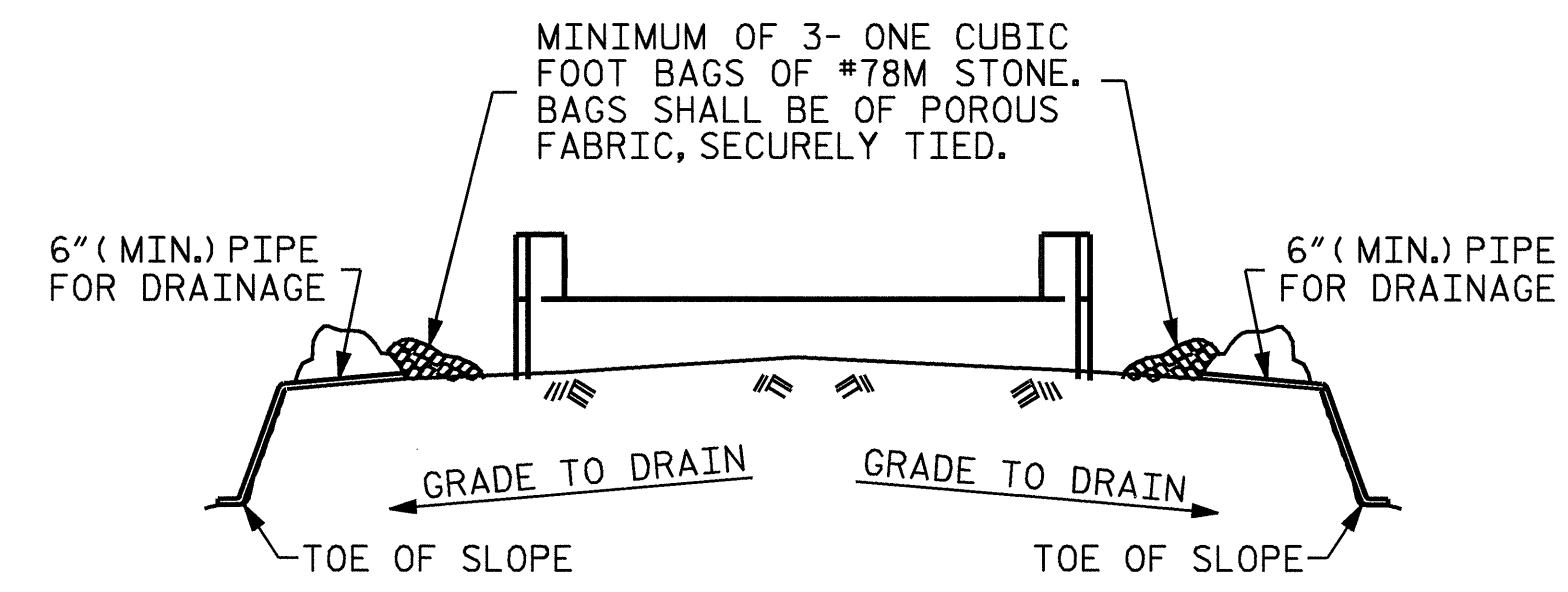


ELEVATION OF WING W1

WING W1 SHOWN, WING W2 SIMILAR



SECTION X-X



BAGGED STONE AND PIPE SHALL BE PLACED IMMEDIATELY AFTER COMPLETION OF END BENT EXCAVATION. PIPE MAY BE EITHER CONCRETE, CORRUGATED STEEL, CORRUGATED ALUMINUM ALLOY, OR CORRUGATED PLASTIC. PERFORATED PIPE WILL NOT BE ALLOWED.

BAGGED STONE SHALL REMAIN IN PLACE UNTIL THE ENGINEER DIRECTS THAT IT BE REMOVED. THE CONTRACTOR SHALL REMOVE AND DISPOSE OF SILT ACCUMULATIONS AT BAGGED STONE WHEN SO DIRECTED BY THE ENGINEER. BAGS SHALL BE REMOVED AND REPLACED WHENEVER THE ENGINEER DETERMINES THAT THEY HAVE DETERIORATED AND LOST THEIR EFFECTIVENESS.

NO SEPARATE PAYMENT WILL BE MADE FOR THIS WORK AND THE ENTIRE COST OF THIS WORK SHALL BE INCLUDED IN THE UNIT CONTRACT PRICE BID FOR THE SEVERAL PAY ITEMS.

TEMPORARY DRAINAGE AT END BENT

PROJECT NO. B-3906
SAMPSON COUNTY
 STATION: 28+52.50 -L-

SHEET 2 OF 2

STATE OF NORTH CAROLINA DEPARTMENT OF TRANSPORTATION RALEIGH				
SUBSTRUCTURE END BENT 2				
REVISIONS				
NO.	BY:	DATE:	NO.	DATE:
1			3	
2			4	
				SHEET NO. S-34
				TOTAL SHEETS 38

Professional Engineer Seal for Steven W. Wainwright, No. 21545, State of North Carolina. Date: 12/20/04.

DRAWN BY: SWANCEPE DATE: 06/04
 CHECKED BY: N.Q. TRAN DATE: 06/04