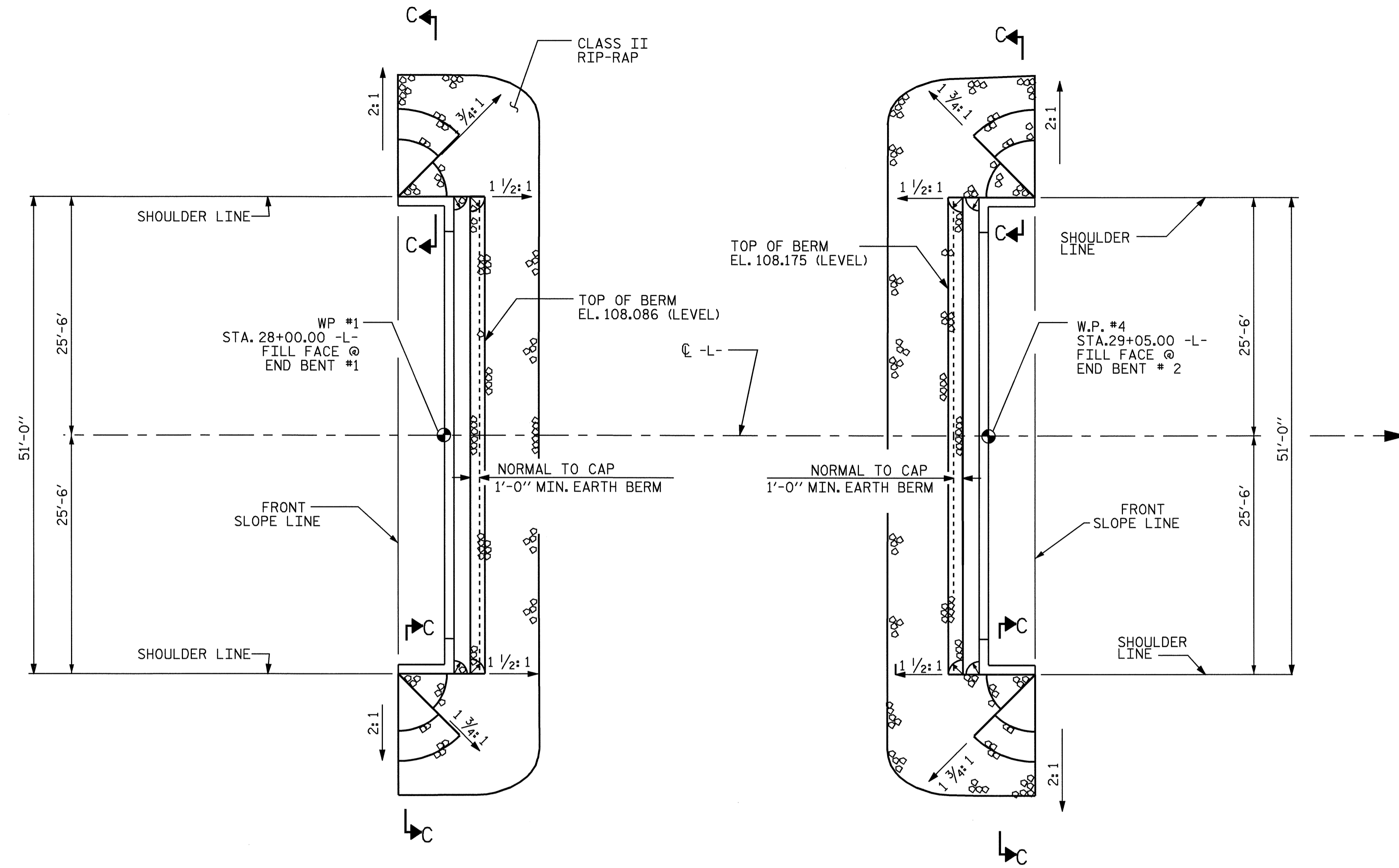
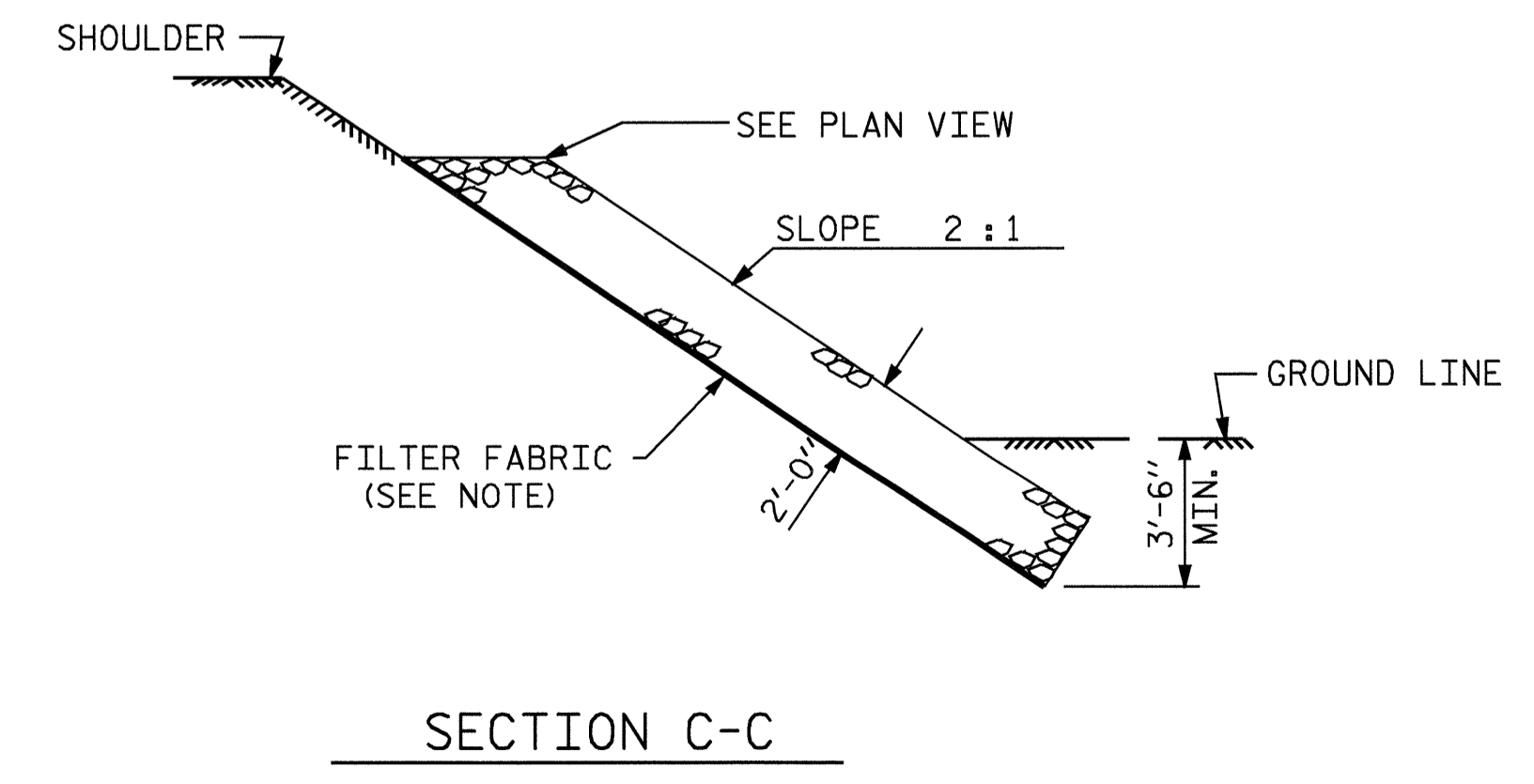
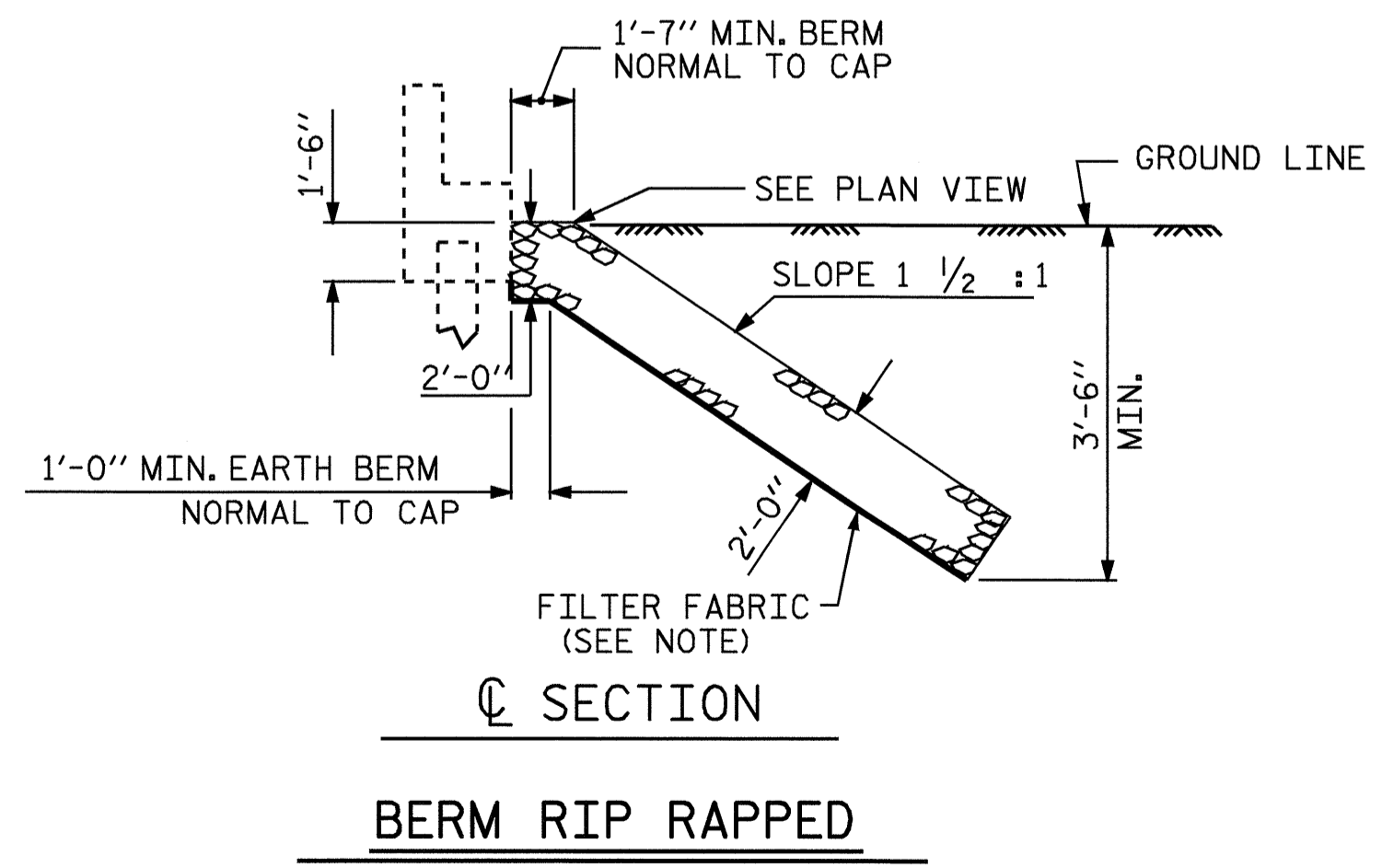


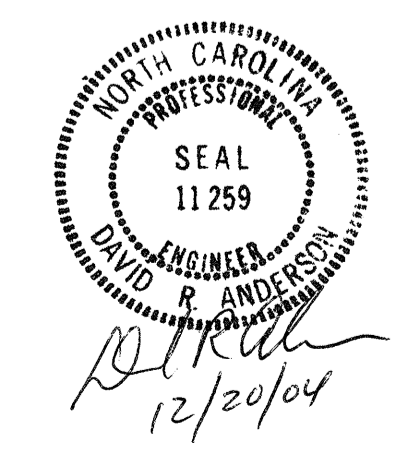
NOTES : FILTER FABRIC SHALL BE PLACED UNDER ENTIRE AREA OF RIP RAP.
 FILTER FABRIC IS INCIDENTAL TO THE COST OF THE CLASS II RIP RAP.



ESTIMATED QUANTITIES		
BRIDGE @ STA. 28+52.50 -L-	PLAIN RIP RAP CLASS II	FILTER FABRIC FOR DRAINAGE
	TONS	SQUARE YARDS
END BENT 1	100	110
END BENT 2	90	100



PROJECT NO. B-3906
SAMPSON COUNTY
 STATION: 28+52.50 -L-



STATE OF NORTH CAROLINA
 DEPARTMENT OF TRANSPORTATION
 RALEIGH

— RIP RAP DETAILS —

DRAWN BY : N.Q. TRAN DATE : 10-04
 CHECKED BY : SWANcPE DATE : 9-04

REVISIONS						SHEET NO. S-35
NO.	BY:	DATE:	NO.	BY:	DATE:	
1			3			TOTAL SHEETS 38
2			4			