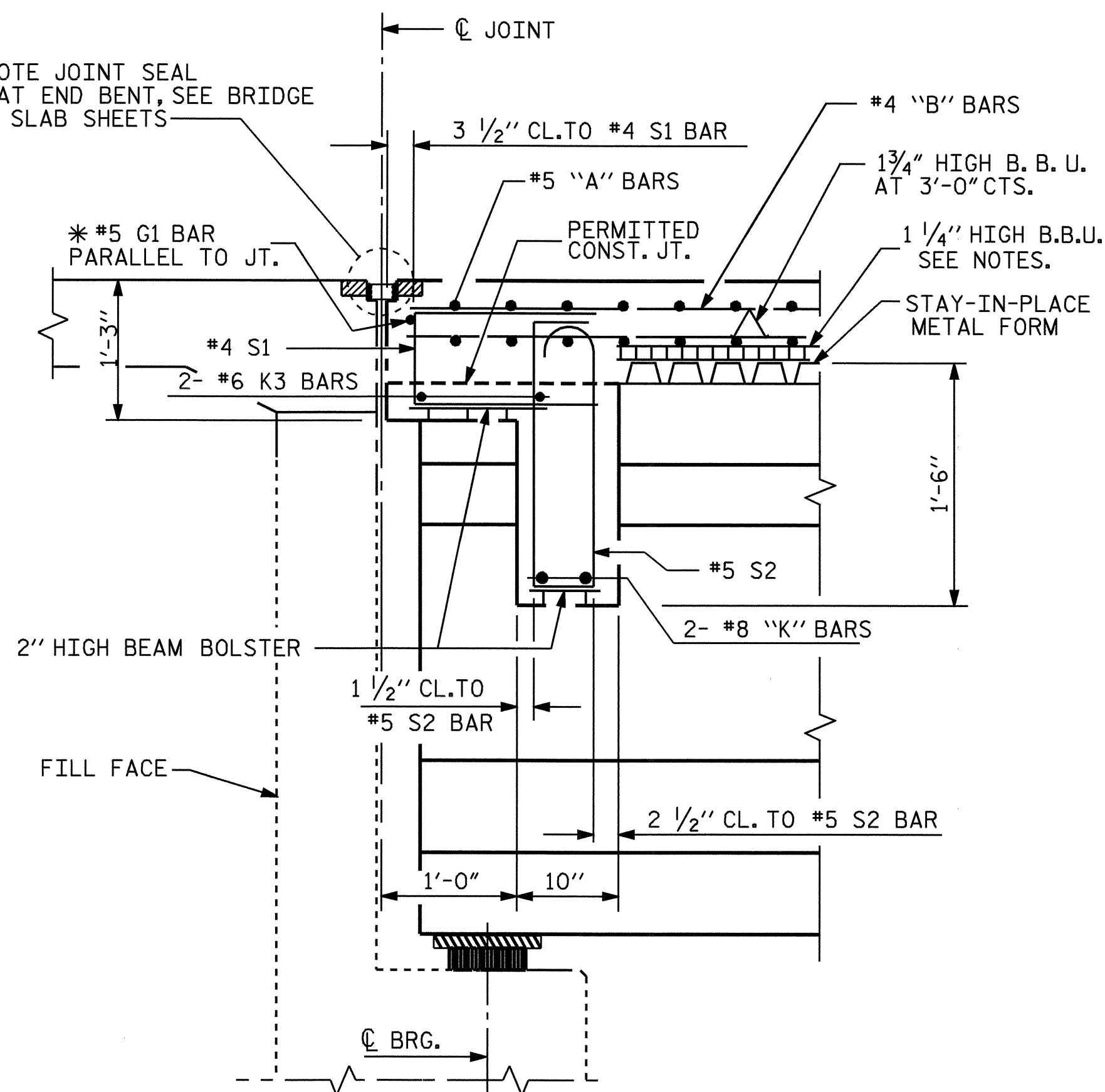
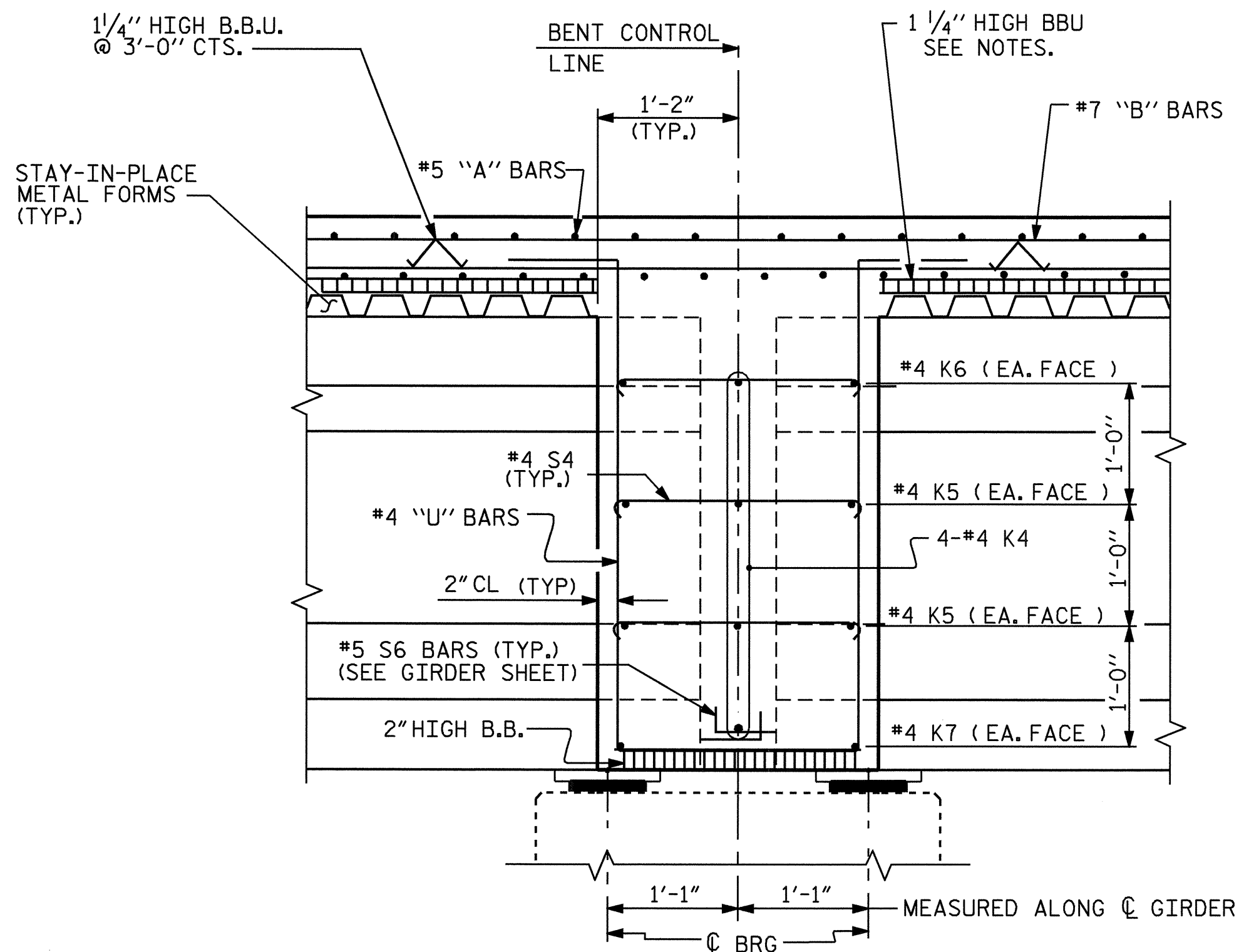


FOR EVAZOTE JOINT SEAL
DETAILS AT END BENT, SEE BRIDGE
APPROACH SLAB SHEETS

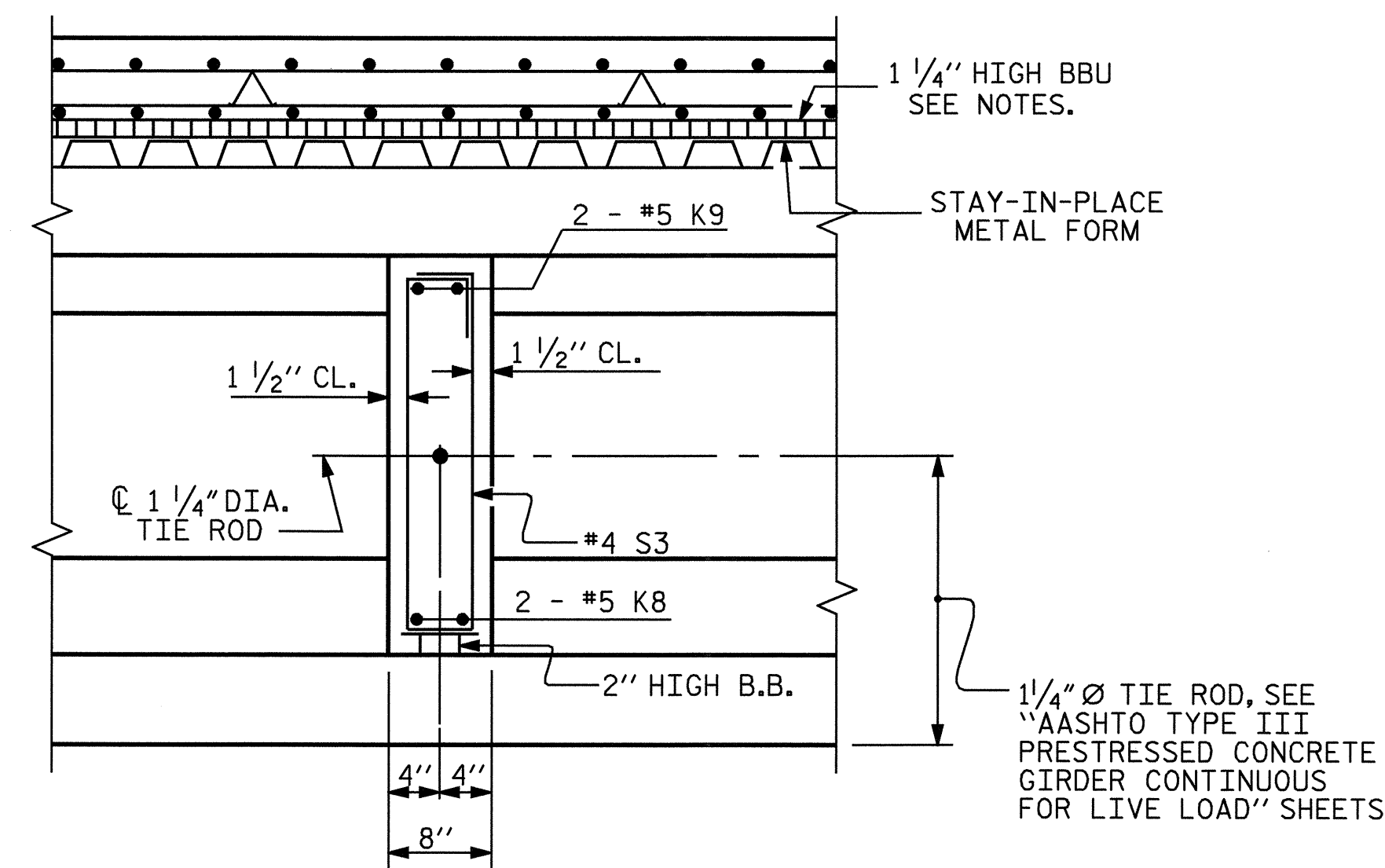


SECTION THROUGH END BENT

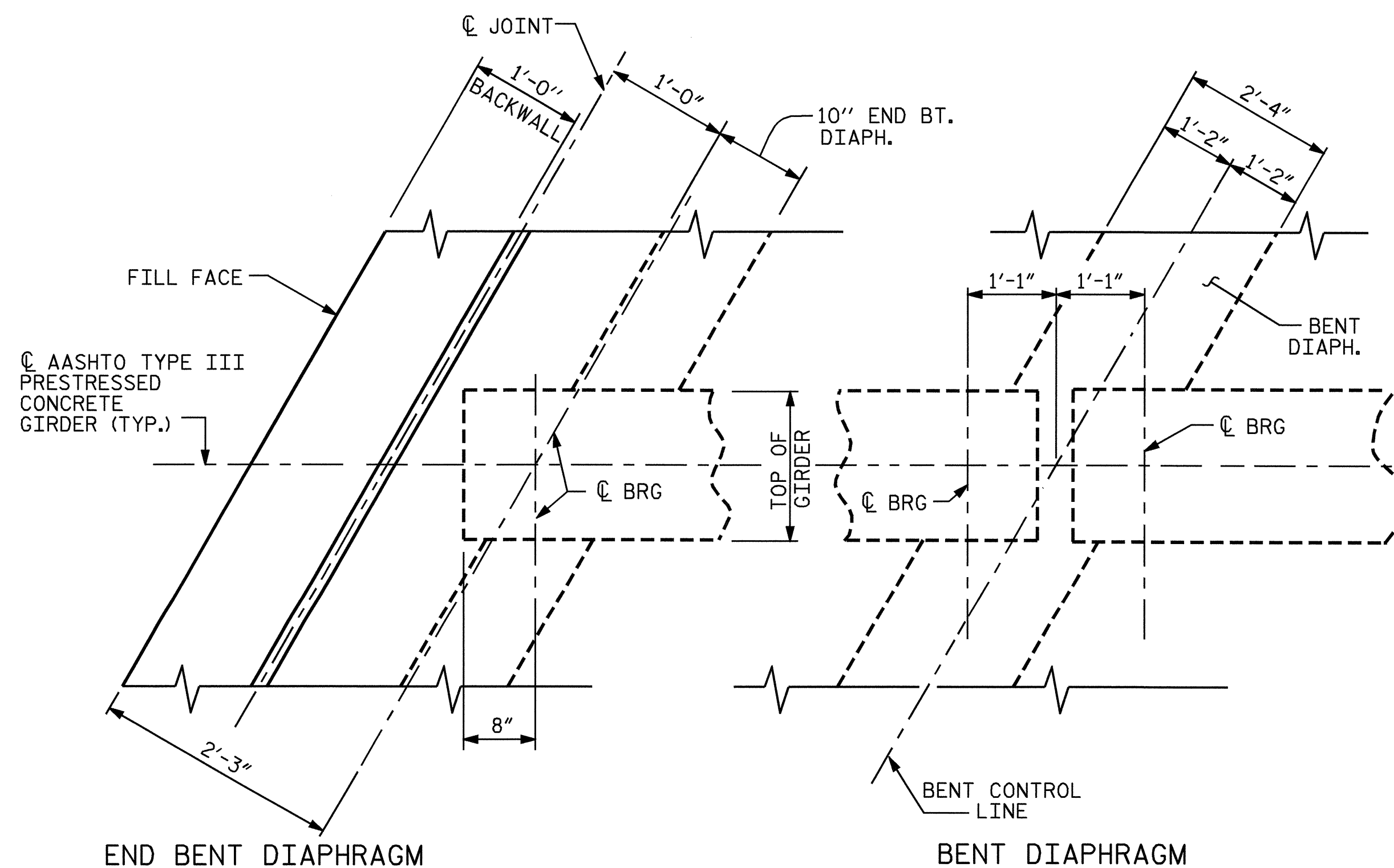
*#5 G1 BAR MAY BE SHIFTED SLIGHTLY AS
NECESSARY TO CLEAR REINFORCING STEEL
AND STIRRUPS.



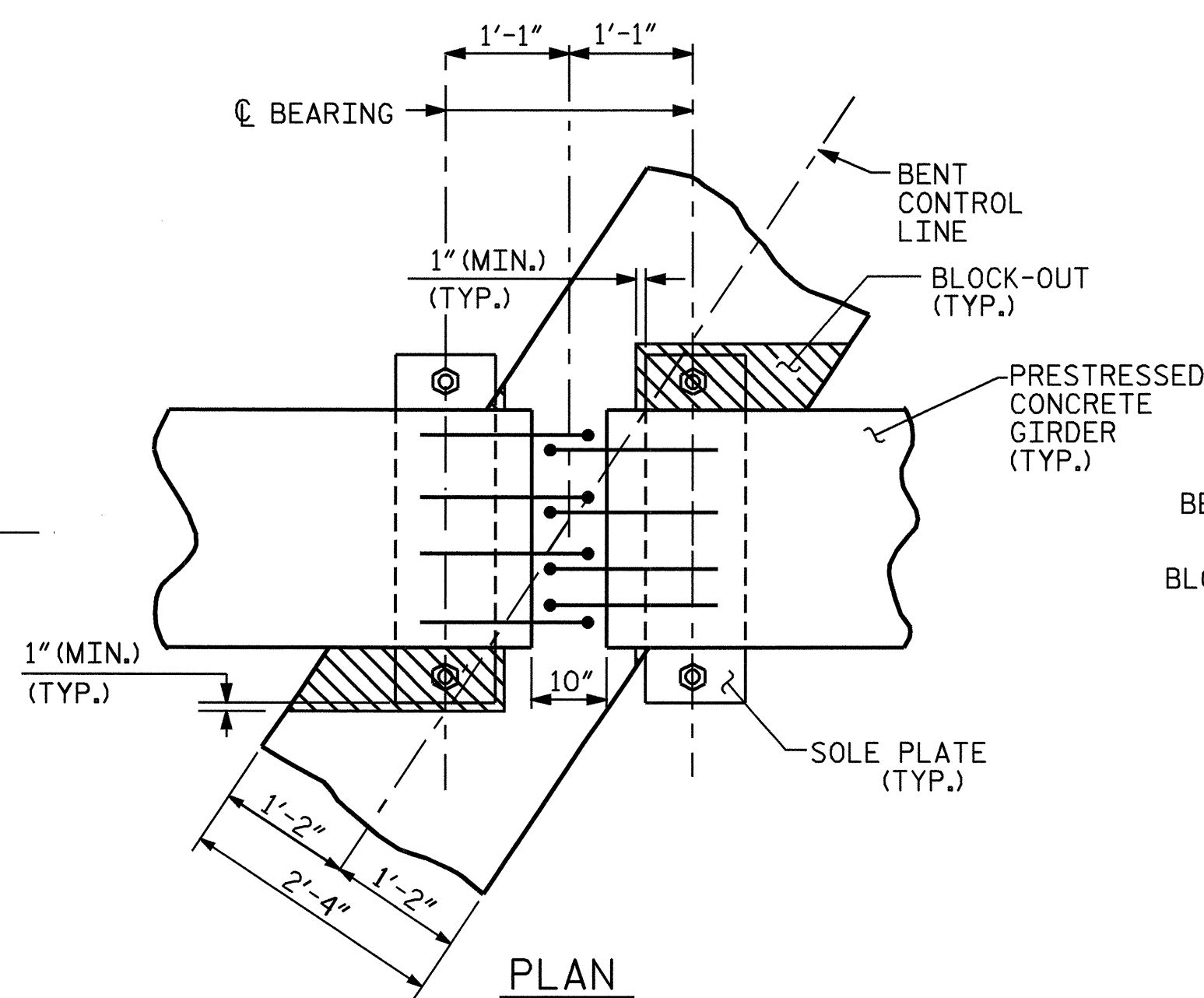
SECTION THROUGH BENT



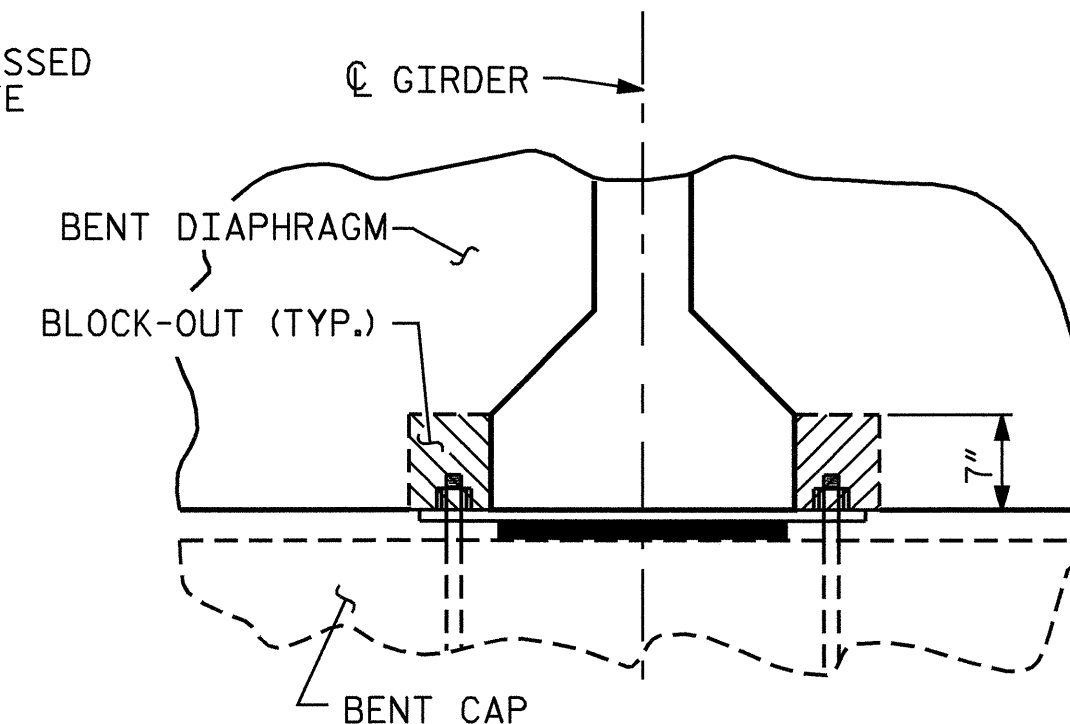
SECTION THROUGH INTERMEDIATE DIAPHRAGM
(SPANS A & B)



PLAN OF DIAPHRAGMS



BENT DIAPHRAGM BLOCK-OUT DETAIL



ELEVATION

PROJECT NO. B-3694
ROCKINGHAM COUNTY
STATION: 17+27.50 -L-

SHEET 2 OF 2

STATE OF NORTH CAROLINA
DEPARTMENT OF TRANSPORTATION
RALEIGH

SUPERSTRUCTURE
TYPICAL SECTION

DRAWN BY: A.R.CHESSON DATE: 5-04
CHECKED BY: B.N.GRADY DATE: 7-04

REVISIONS						SHEET NO.
NO.	BY:	DATE:	NO.	BY:	DATE:	S-6
1			3			TOTAL SHEETS
2			4			36

