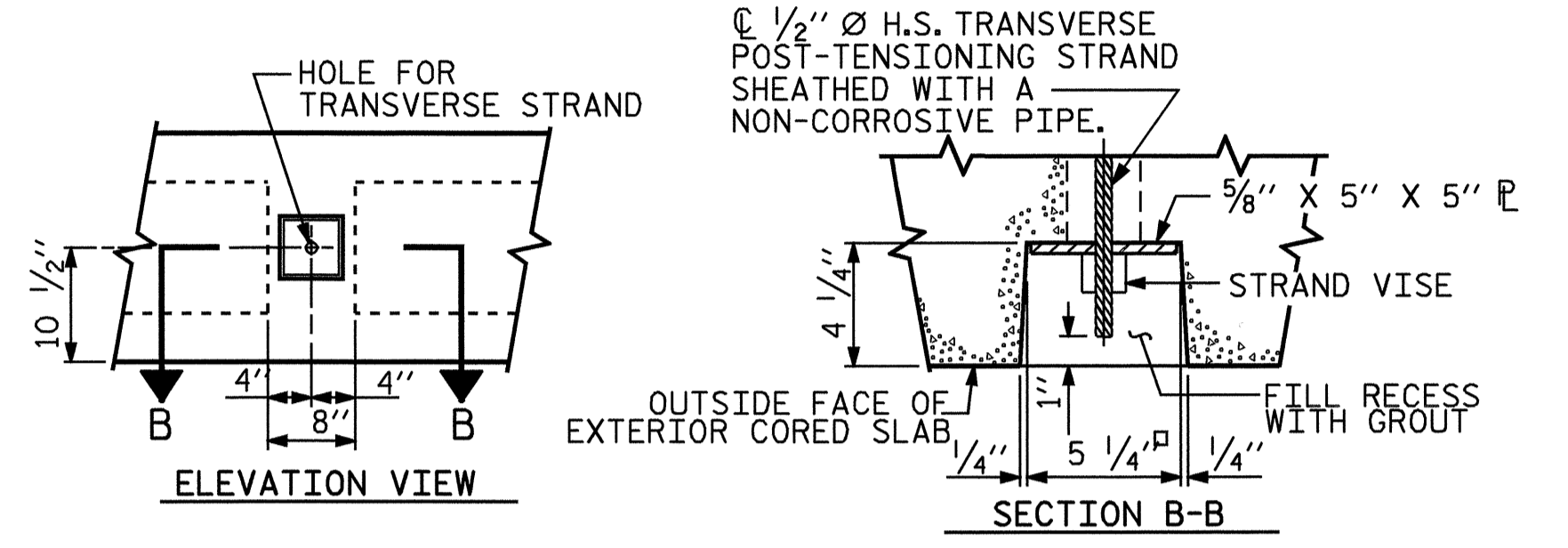
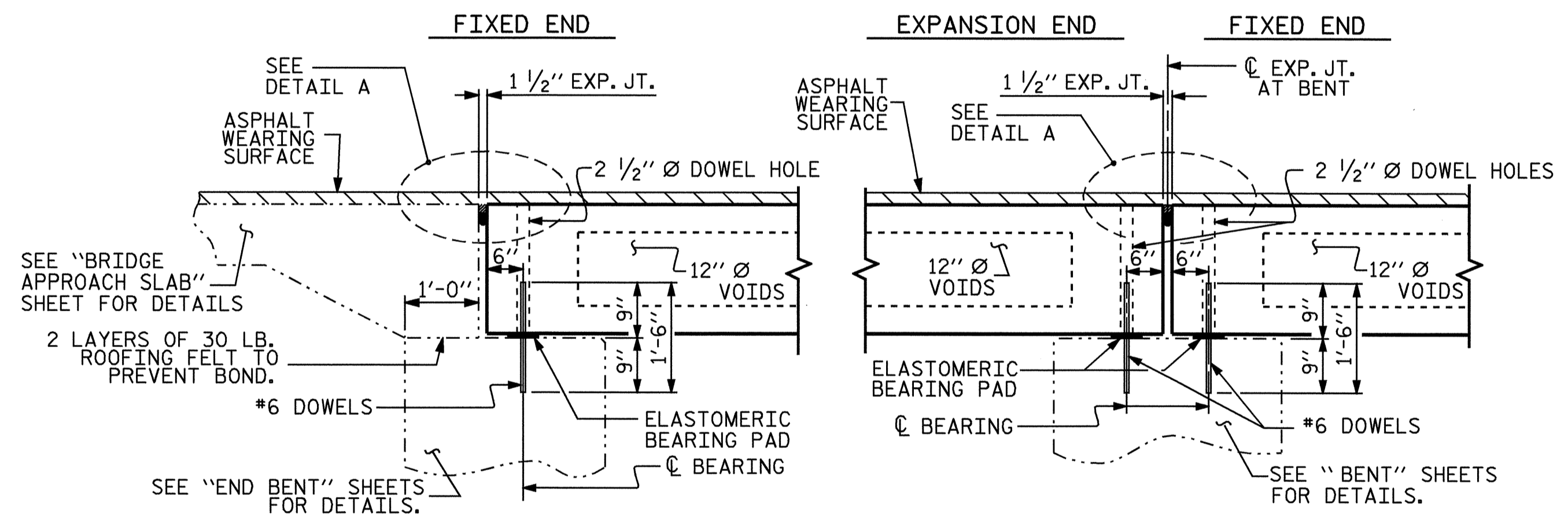


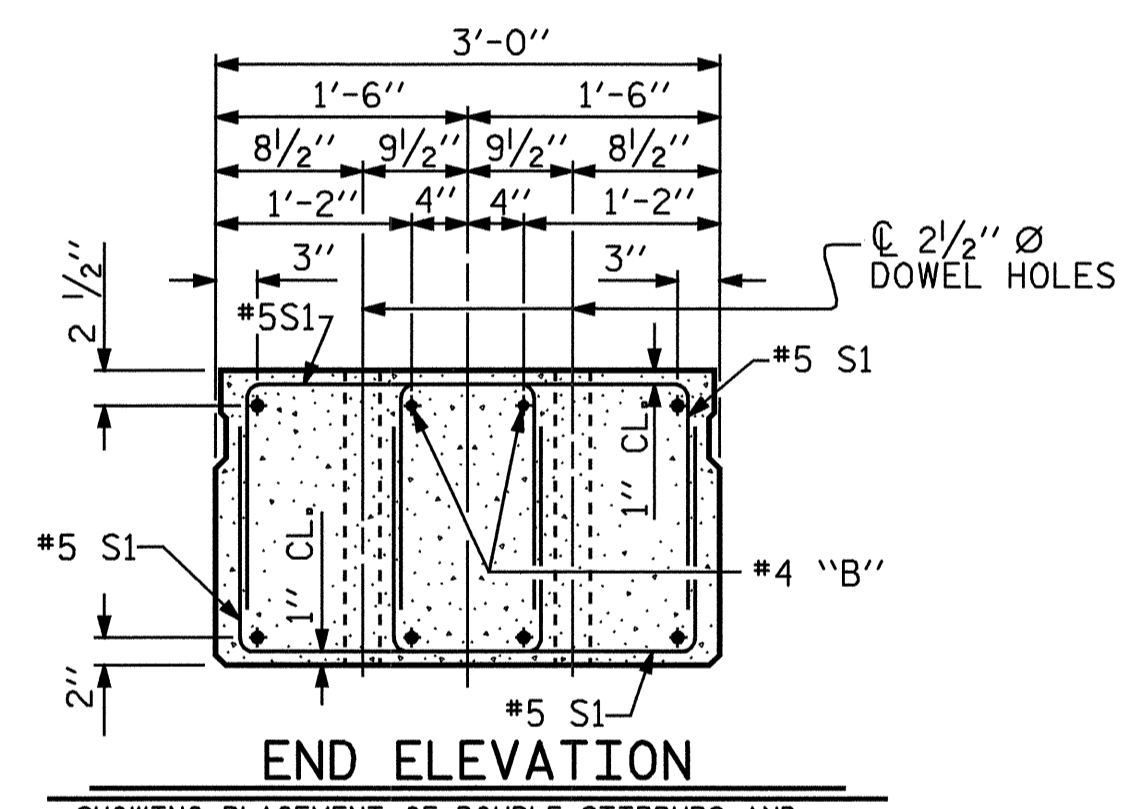
HALF SECTION AT INTERMEDIATE DIAPHRAGMS
 HALF SECTION THROUGH VOIDS
TYPICAL SECTION
 SHEAR KEYS TO BE FILLED WITH GROUT AFTER ALL ERECTION HAS BEEN COMPLETED AND AFTER FINAL TENSIONING OF TRANSVERSE STRANDS



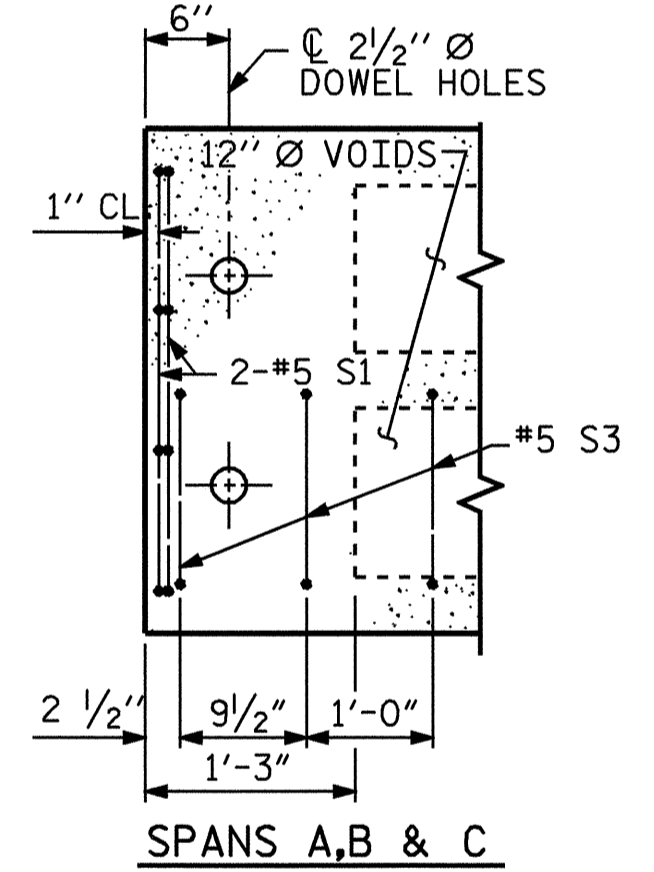
GROUTED RECESS AT END OF POST-TENSIONED STRAND CORED SLABS



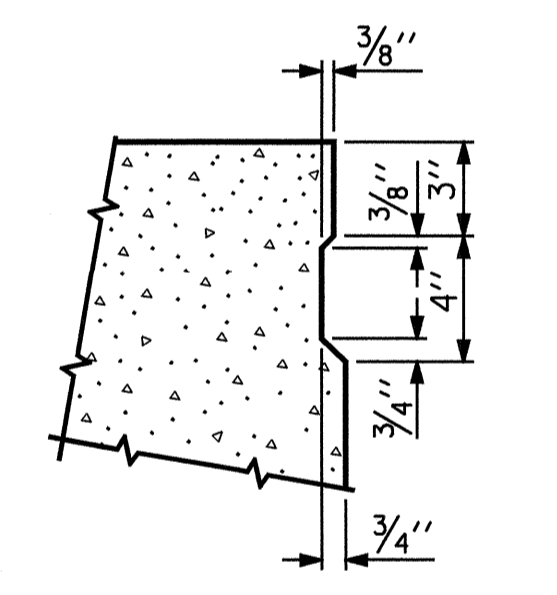
SECTION AT END BENT
SECTION AT BENT



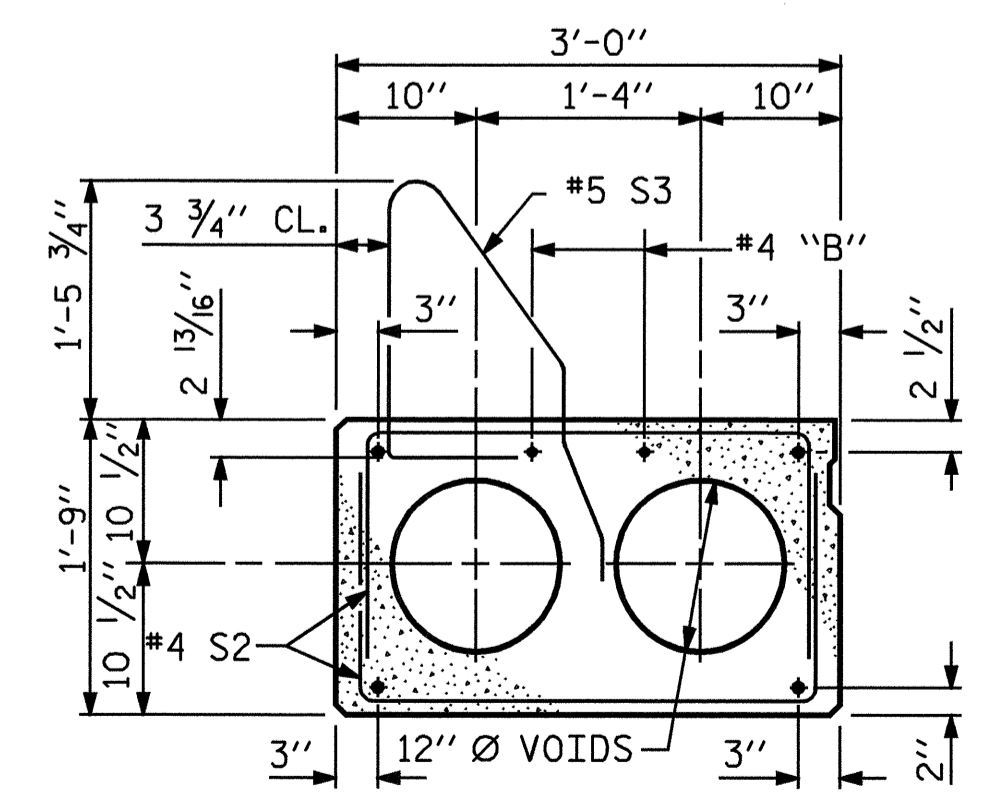
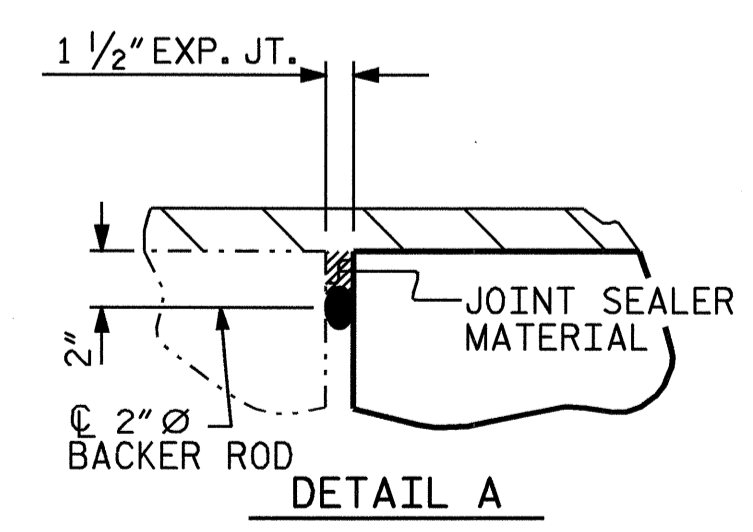
END ELEVATION
 SHOWING PLACEMENT OF DOUBLE STIRRUPS AND LOCATION OF DOWEL HOLES. (STRAND LAYOUT NOT SHOWN). INTERIOR SLAB SECTION SHOWN-EXTERIOR SLAB SECTION SIMILAR EXCEPT SHEAR KEY LOCATION.



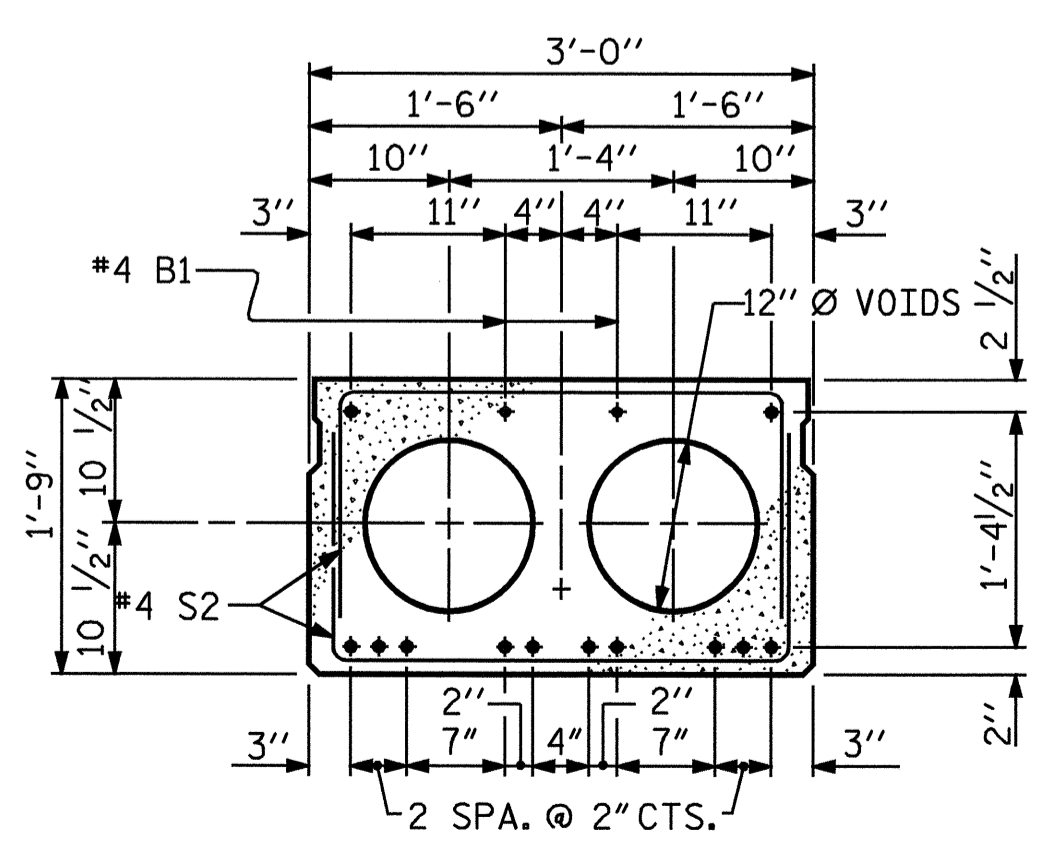
PART PLAN-EXTERIOR SECTION
 NOTE: EXTERIOR SECTION SHOWN-INTERIOR SECTION SIMILAR EXCEPT OMIT S3 BARS.



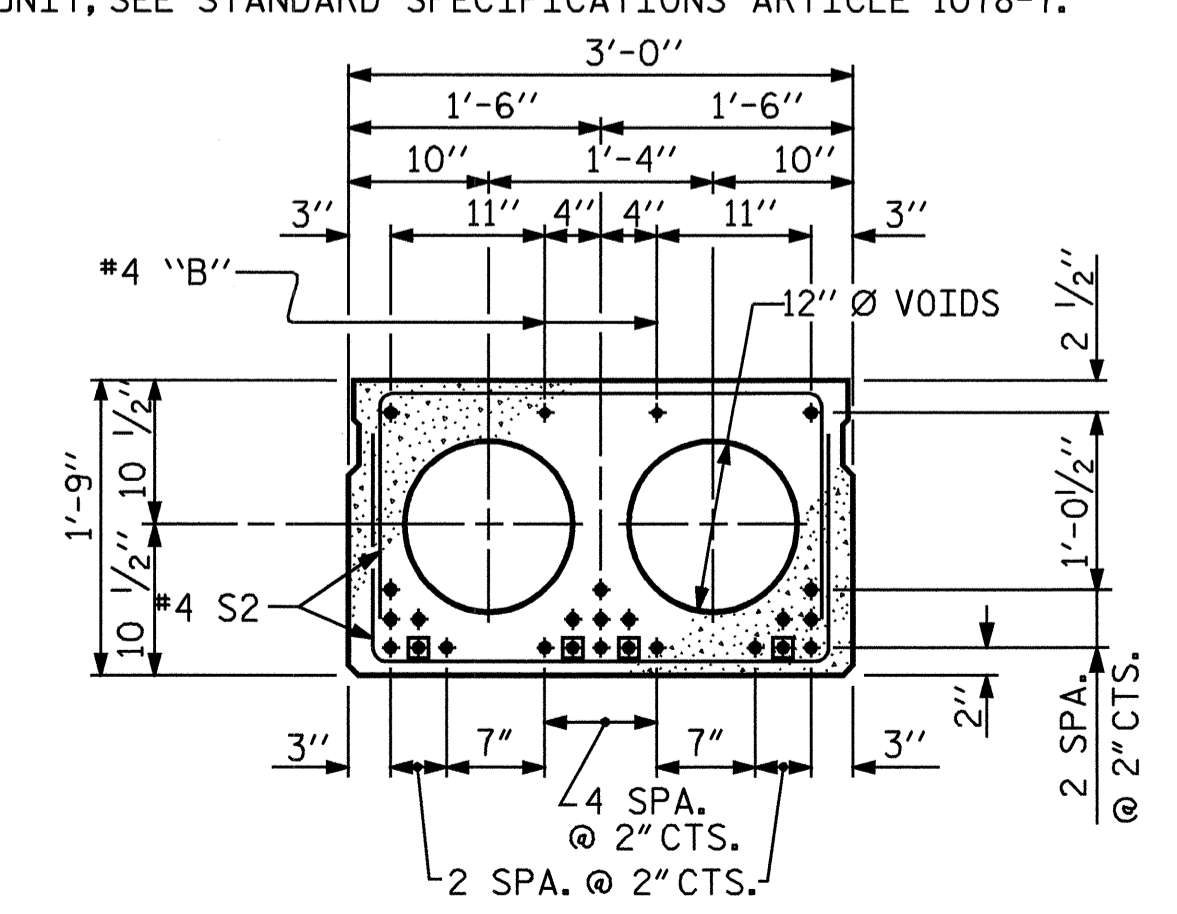
SHEAR KEY DETAIL
 NOTE: OMIT SHEAR KEY ON OUTSIDE FACE OF EXTERIOR CORED SLABS.



EXTERIOR SLAB SECTION
 (FOR PRESTRESSED STRAND LAYOUT, SEE INTERIOR SLAB SECTION.)



INTERIOR SLAB SECTION FOR SPAN A
 1/2" Ø LOW RELAXATION STRAND LAYOUT



INTERIOR SLAB SECTION FOR SPAN B & C
 1/2" Ø LOW RELAXATION STRAND LAYOUT

BOND SHALL BE BROKEN ON THESE STRANDS FOR A DISTANCE OF 4'-0" FROM END OF CORED SLAB UNIT, SEE STANDARD SPECIFICATIONS ARTICLE 1078-7.

PROJECT NO. B-4248
ROBESON COUNTY
 STATION: 16+67.50 -L-

STATE OF NORTH CAROLINA DEPARTMENT OF TRANSPORTATION RALEIGH					
STANDARD 3'-0" X 1'-9" PRESTRESSED CONCRETE CORED SLAB UNIT					
OCTOBER 1981					
REVISIONS					
NO.	BY:	DATE:	NO.	BY:	DATE:
1			3		
2			4		
					SHEET NO. S-4
					TOTAL SHEETS 25



ASSEMBLED BY :	A.S. CALLAWAY	DATE :	5/14/04
CHECKED BY :	L.E. SUTTON	DATE :	10/8/04
DRAWN BY :	WJH 4/89	REV. 8/16/99	RWW/LES
CHECKED BY :	FCJ 5/89	REV. 10/17/00	RWW/LES
		REV. 7/10/01R	RWW/LES