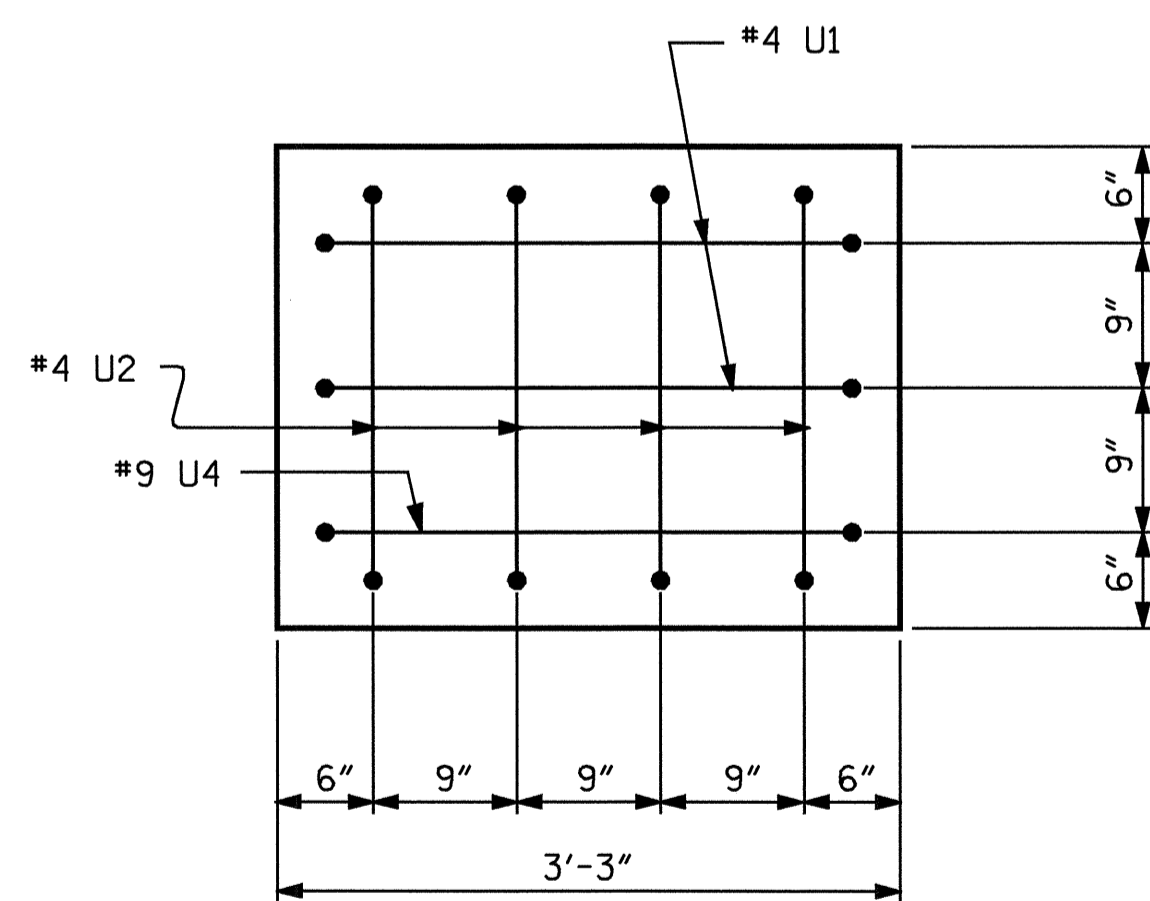
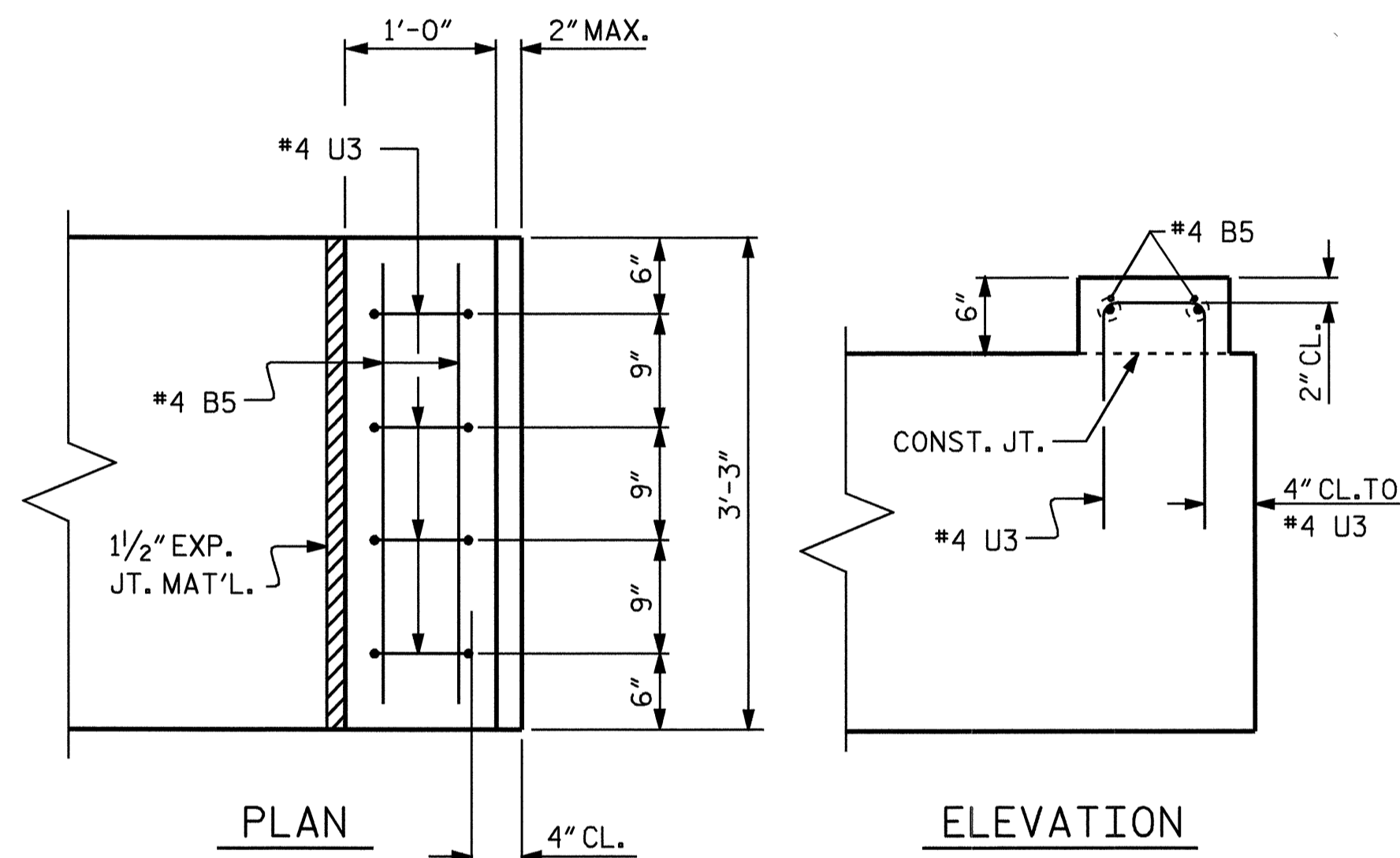


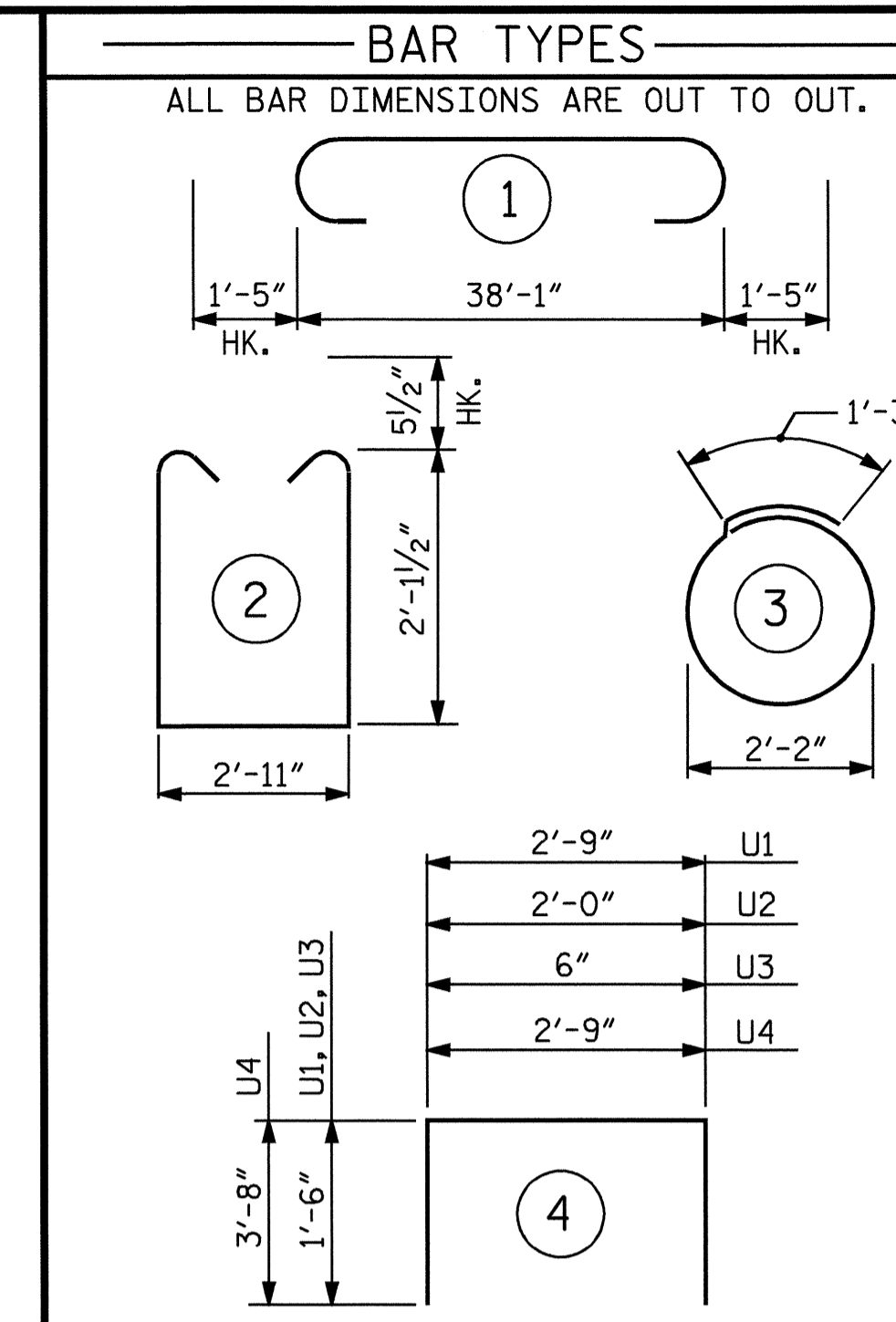
SECTION A-A



VIEW X-X
(TYP. BOTH ENDS)



LATERAL GUIDE REINFORCING DETAIL
(EACH END SIMILAR)



BILL OF MATERIAL					
BENT 1					
BAR	NO.	SIZE	TYPE	LENGTH	WEIGHT
B1	4	#10	1	40'-11"	704
B2	4	#10	STR	38'-3"	658
B3	2	#5	STR	38'-3"	80
B4	8	#4	STR	20'-4"	109
B5	14	#4	STR	2'-10"	27
D1	48	#6	STR	1'-6"	108
S1	36	#5	2	8'-1"	304
S2	14	#4	3	8'-1"	76
U1	4	#4	4	5'-9"	15
U2	8	#4	4	5'-0"	27
U3	8	#4	4	3'-6"	19
U4	2	#9	4	10'-1"	69
REINFORCING STEEL					LBS. 2196
CLASS A CONCRETE					
POUR #1 (CAP)				CU. YDS.	11.2
POUR #2 (LATERAL GUIDES)				CU. YDS.	0.1
TOTAL:				CU. YDS.	11.3
16" PRESTRESSED CONCRETE PILES					
NO. 7					LIN. FT. 280

DRAWN BY : A.S. CALLAWAY DATE : 7/19/04
 CHECKED BY : N.Q. TRAN DATE : 10/6/04

22-DEC-2004 11:15
 W:\Squad\lv8.b4248\scallaway\B4248.ed.B*.01.dgn
 scallaway



PROJECT NO. B-4248
 ROBESON COUNTY
 STATION: 16+67.50 -L-

SHEET 2 OF 2

STATE OF NORTH CAROLINA
 DEPARTMENT OF TRANSPORTATION
 RALEIGH
 SUBSTRUCTURE
 BENT 1

REVISIONS						SHEET NO.
NO.	BY:	DATE:	NO.	BY:	DATE:	TOTAL SHEETS
1			3			S-15
2			4			25