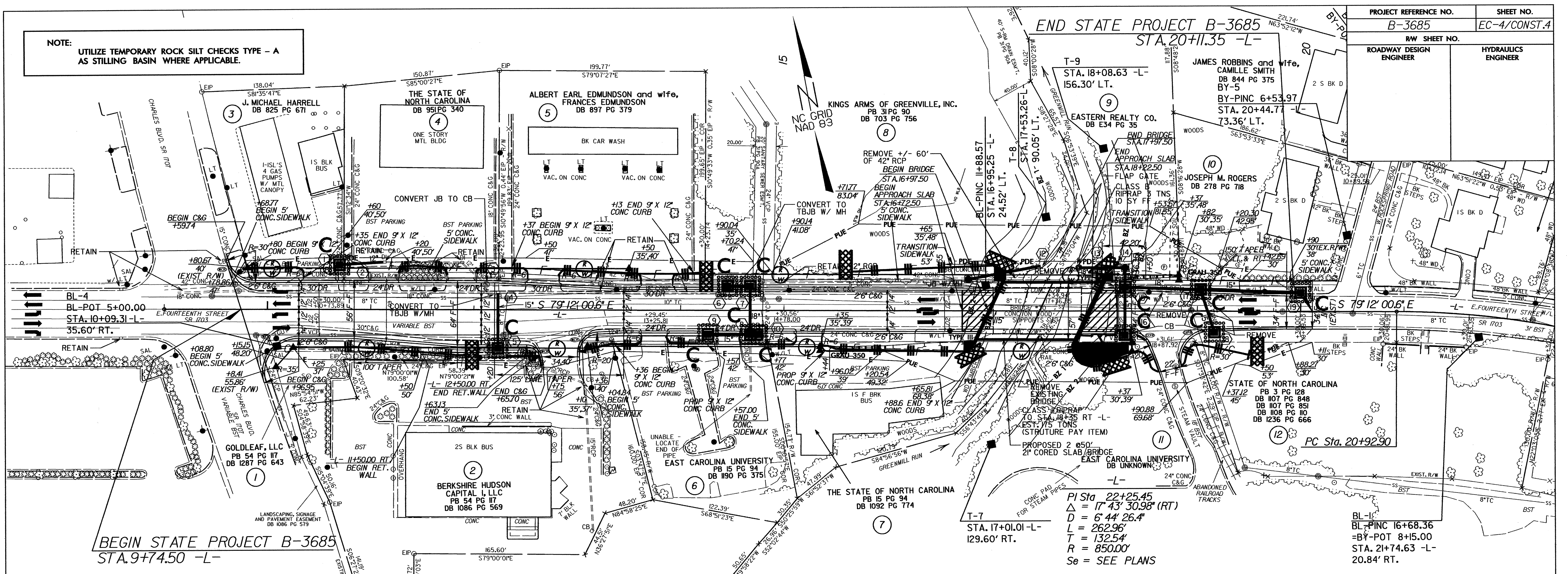
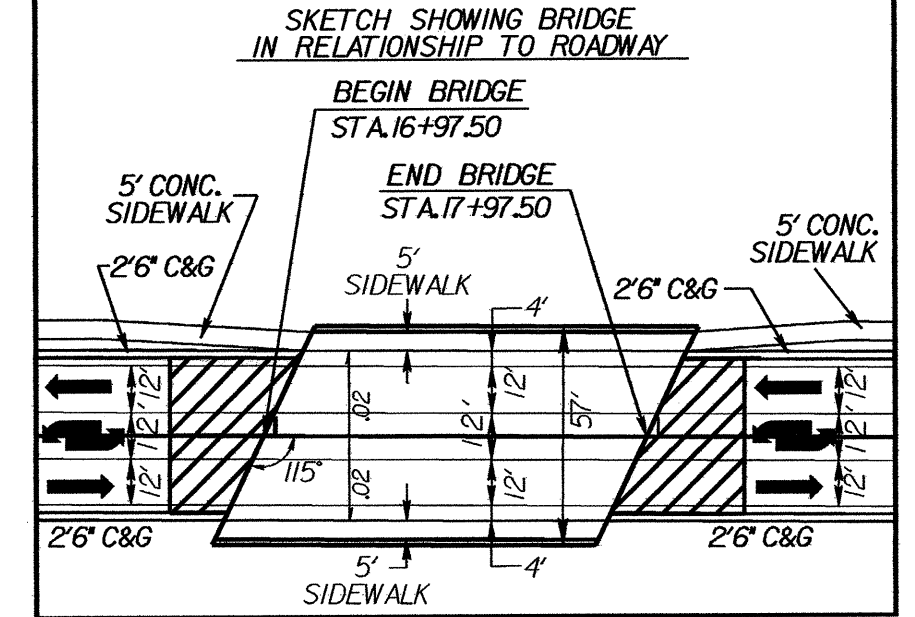
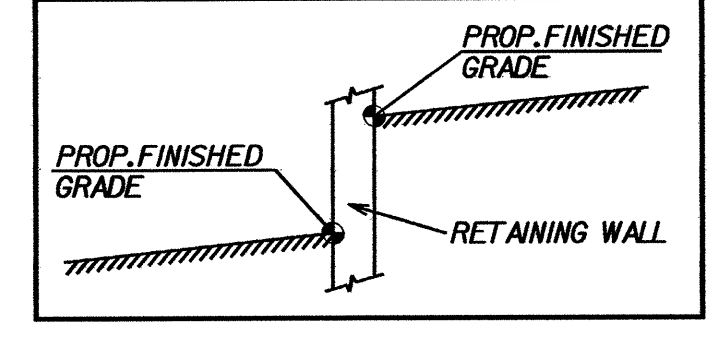


NOTE:
UTILIZE TEMPORARY ROCK SILT CHECKS TYPE - A AS STILLING BASIN WHERE APPLICABLE.

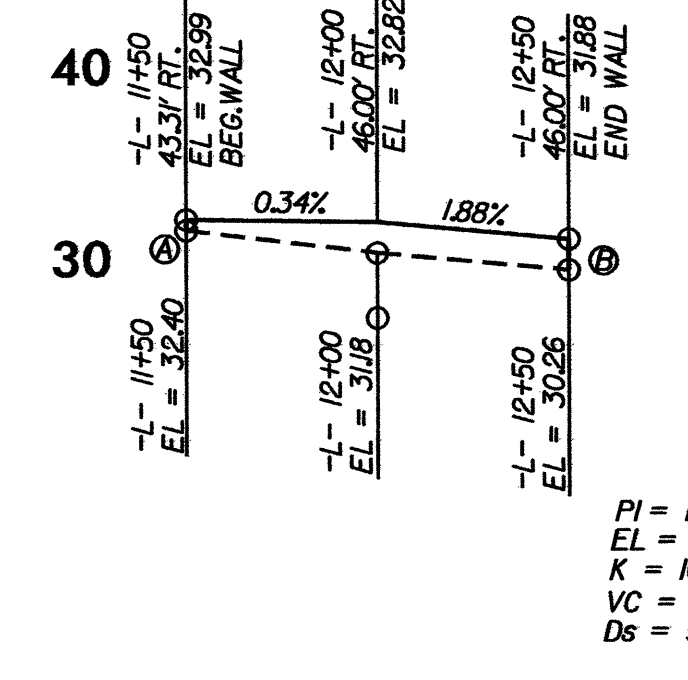


DATUM DESCRIPTION
THE LOCALIZED COORDINATE SYSTEM DEVELOPED FOR THIS PROJECT IS BASED ON THE STATE PLANE COORDINATES ESTABLISHED BY NCGS FOR MONUMENT "FICKLEN" WITH NAD 83 STATE PLANE GRID COORDINATES OF NORTHING: 676517734 FT EASTING: 2486874.617 FT THE AVERAGE COMBINED GRID FACTOR USED ON THIS PROJECT (GROUND TO GRID) IS: 0.999893267 THE N.C. LAMBERT GRID BEARING AND LOCALIZED HORIZONTAL GROUND DISTANCE FROM "FICKLEN" TO -L- STATION 9+74.50 IS N 67° 53' 32.23" W 2781.9366 FT ALL LINEAR DIMENSIONS ARE LOCALIZED HORIZONTAL DISTANCES



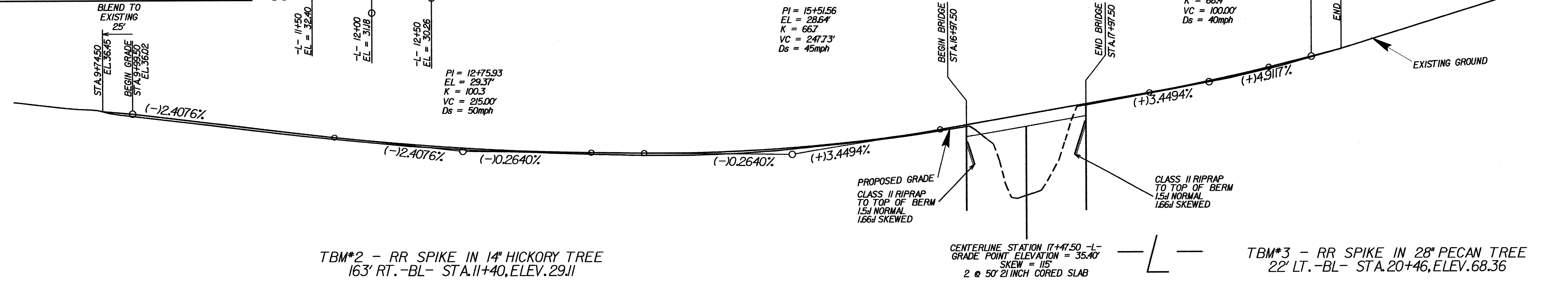
BRIDGE HYDRAULIC DATA
DESIGN DISCHARGE = 4470 CFS
DESIGN FREQUENCY = 50 YRS
DESIGN HW ELEVATION = 33.98 FT
BASE DISCHARGE = 4930 CFS
BASE FREQUENCY = 100 YRS
BASE HW ELEVATION = 34.31 FT
OVERTOPPING DISCHARGE = +/- 650 CFS
OVERTOPPING FREQUENCY = -10 YRS
OVERTOPPING ELEVATION = 28.6 FT
DATE OF SURVEY = 10/19/01
W.S. ELEVATION AT DATE OF SURVEY = 22.26 FT

RETAINING WALL ENVELOPE



75
65
55
45
35
25
15

65
55
45
35
25
15



TBM#2 - RR SPIKE IN 14" HICKORY TREE 163' RT. -BL- STA. 11+40, ELEV. 29.11

CENTERLINE STATION 17+47.50 -L- GRADE POINT ELEVATION = 35.40 SKEW = 115 2 @ 50' 21" INCH CORED SLAB

TBM#3 - RR SPIKE IN 28" PECAN TREE 22' LT. -BL- STA. 20+46, ELEV. 68.36