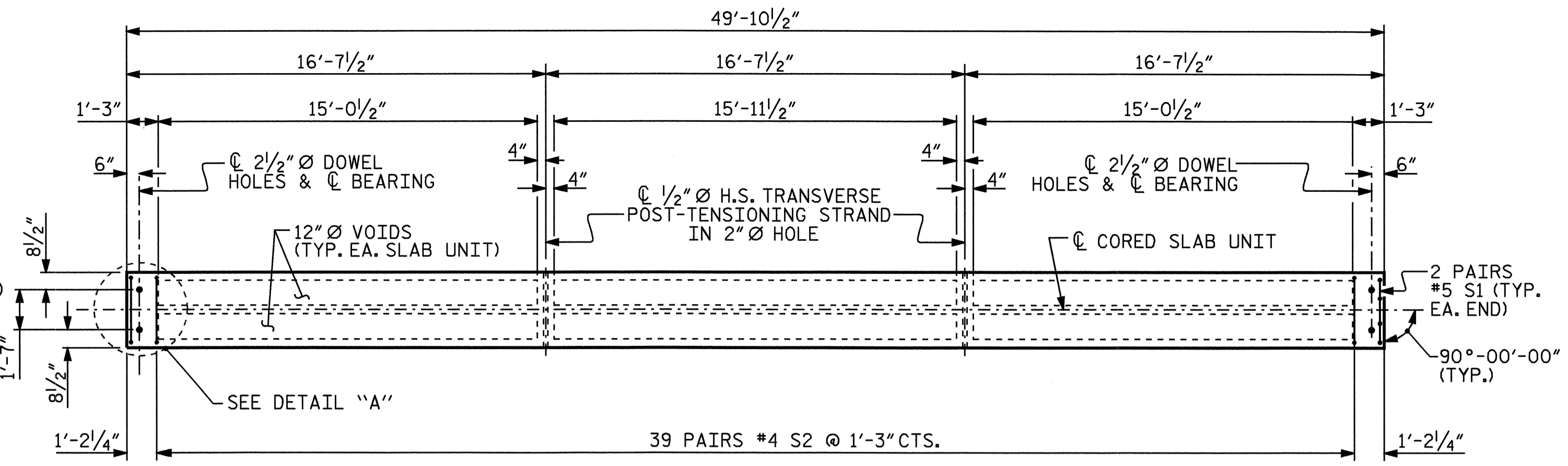
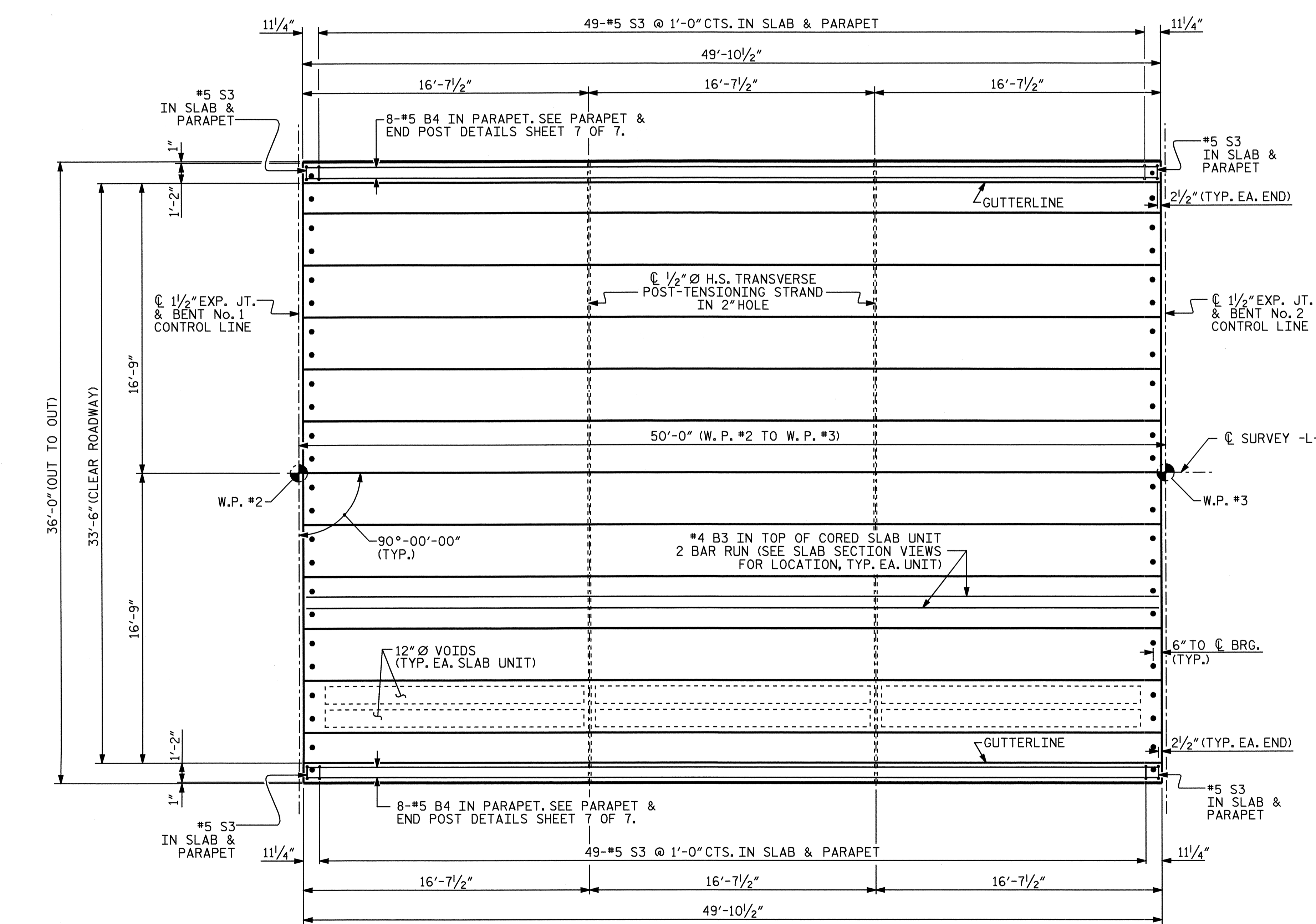


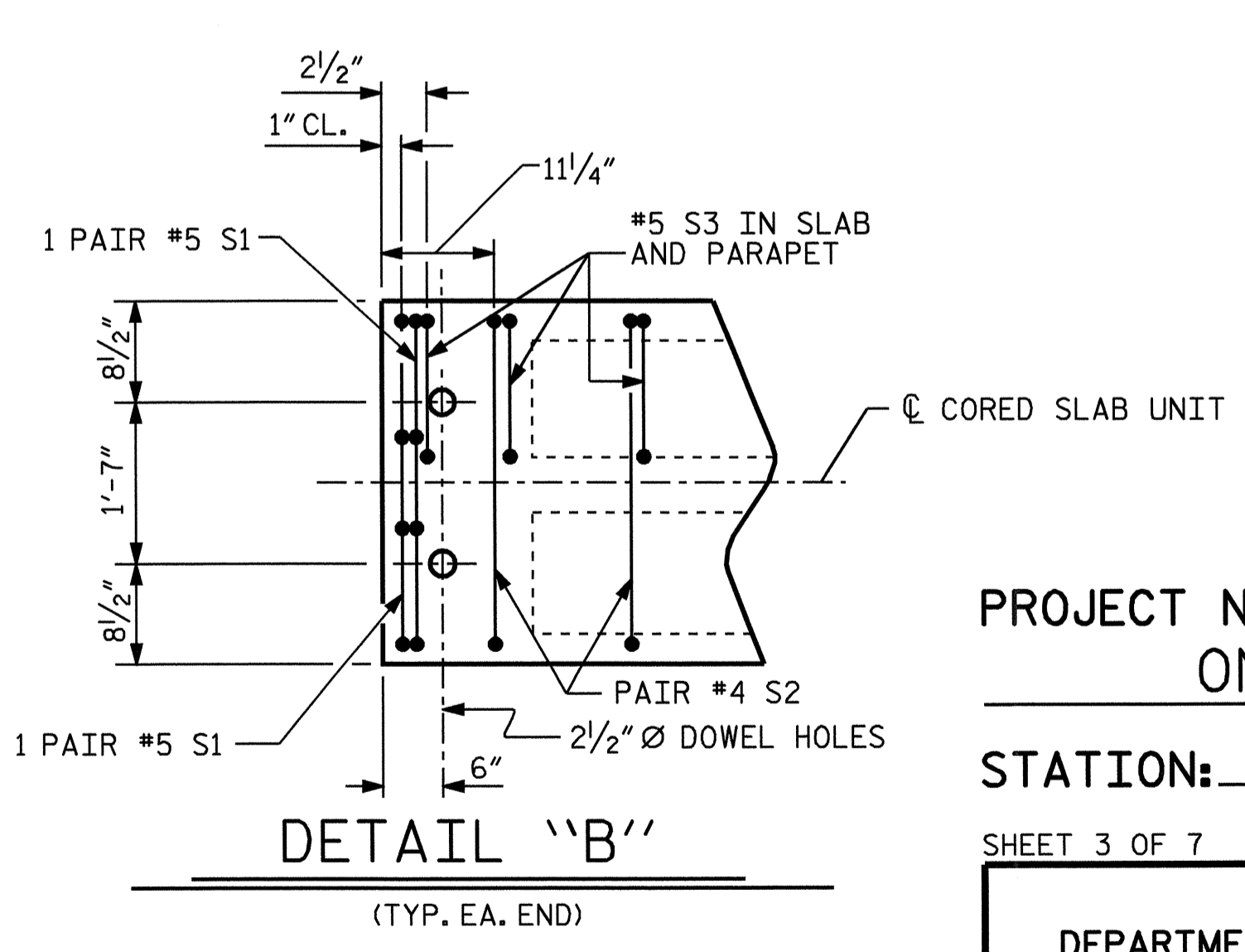
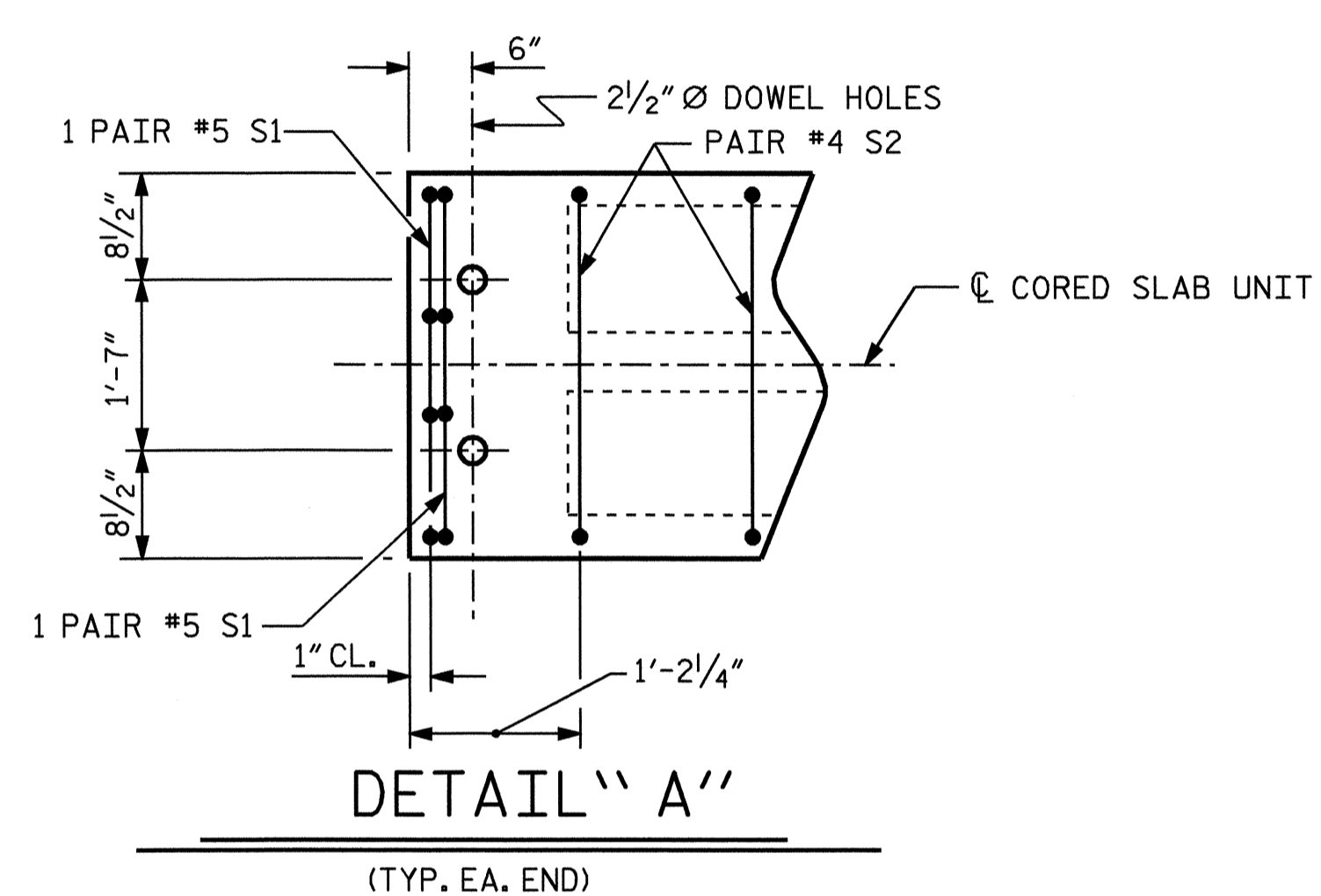
PLAN OF EXTERIOR CORED SLAB UNIT



PLAN OF INTERIOR CORED SLAB UNIT



PLAN OF SPAN B



PROJECT NO. B-3682
ONslow COUNTY
 STATION: 27+84.47 -L-
 SHEET 3 OF 7



DRAWN BY: A. V. ROYAL DATE: 1-04
 CHECKED BY: B. N. GRADY DATE: 4-04

REVISIONS						SHEET NO. S-6
NO.	BY:	DATE:	NO.	BY:	DATE:	
1			3			TOTAL SHEETS 26
2			4			