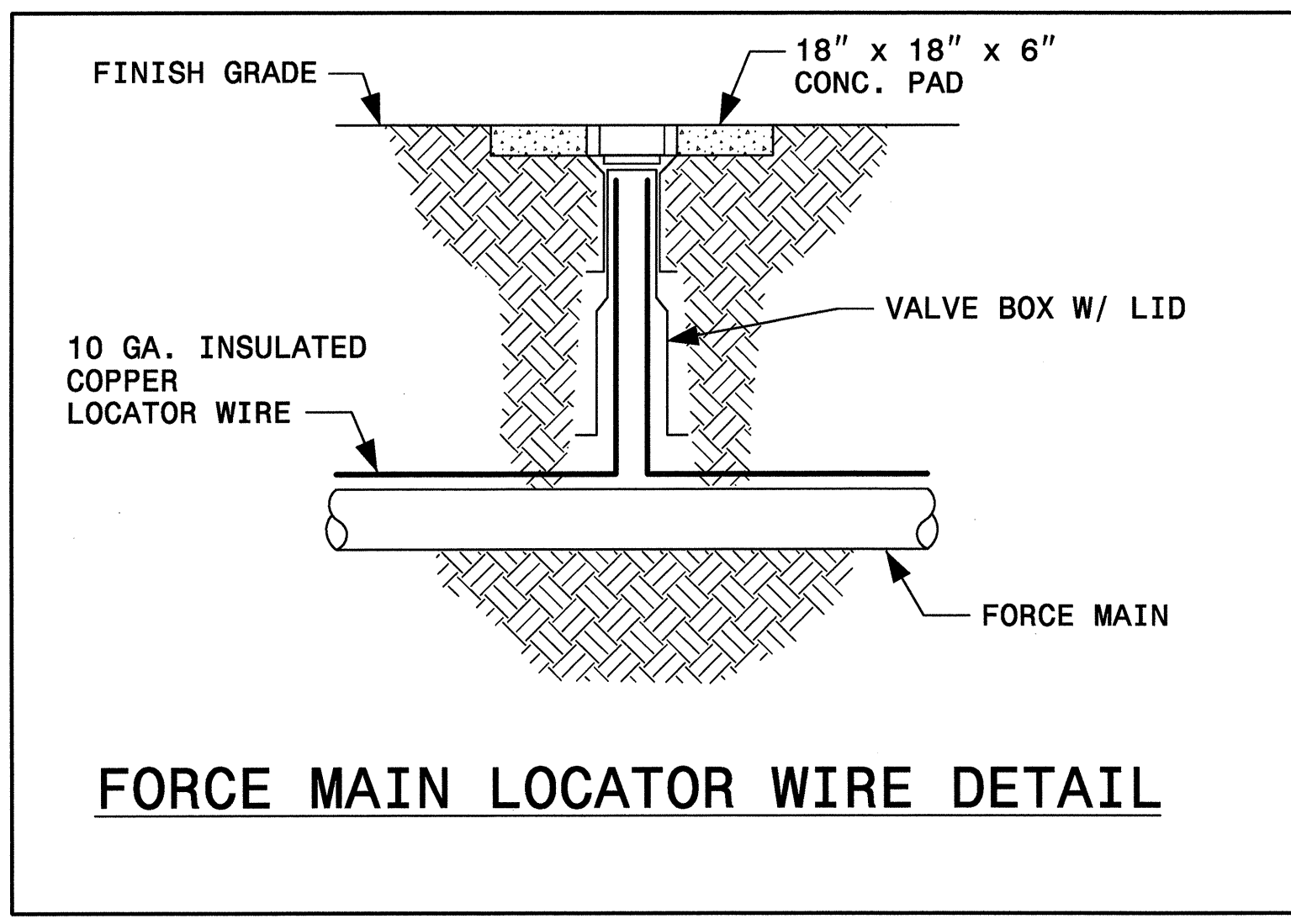
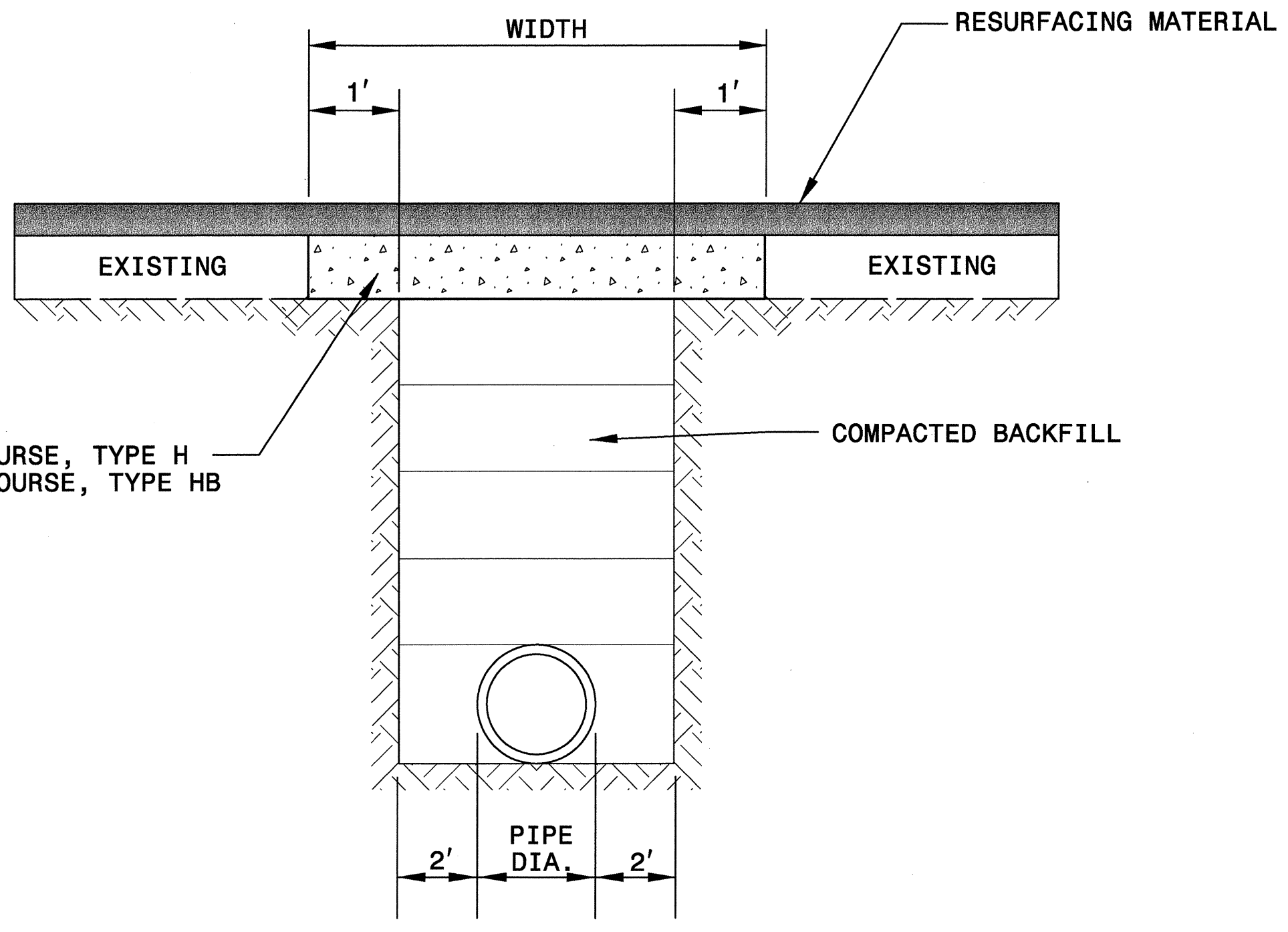


UTILITY CONSTRUCTION

FINAL DRAWINGS



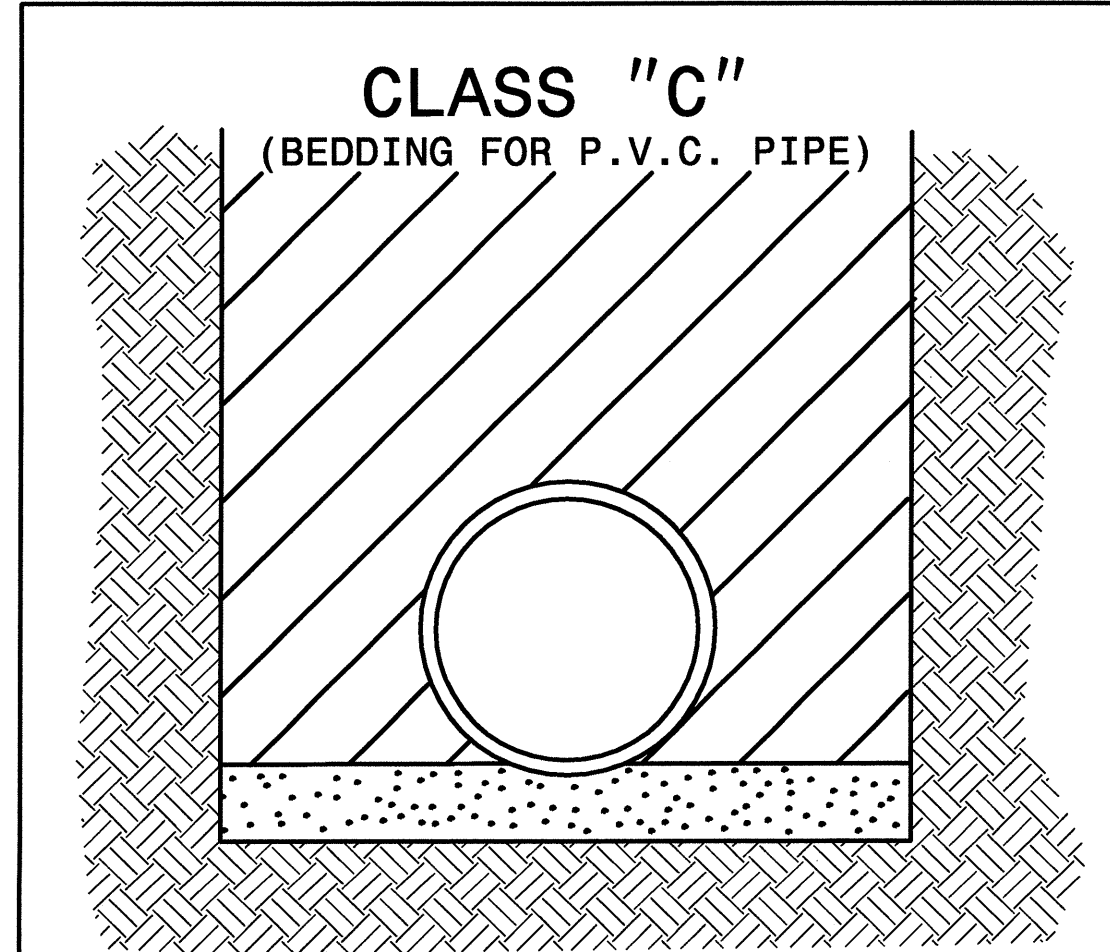
FORCE MAIN LOCATOR WIRE DETAIL



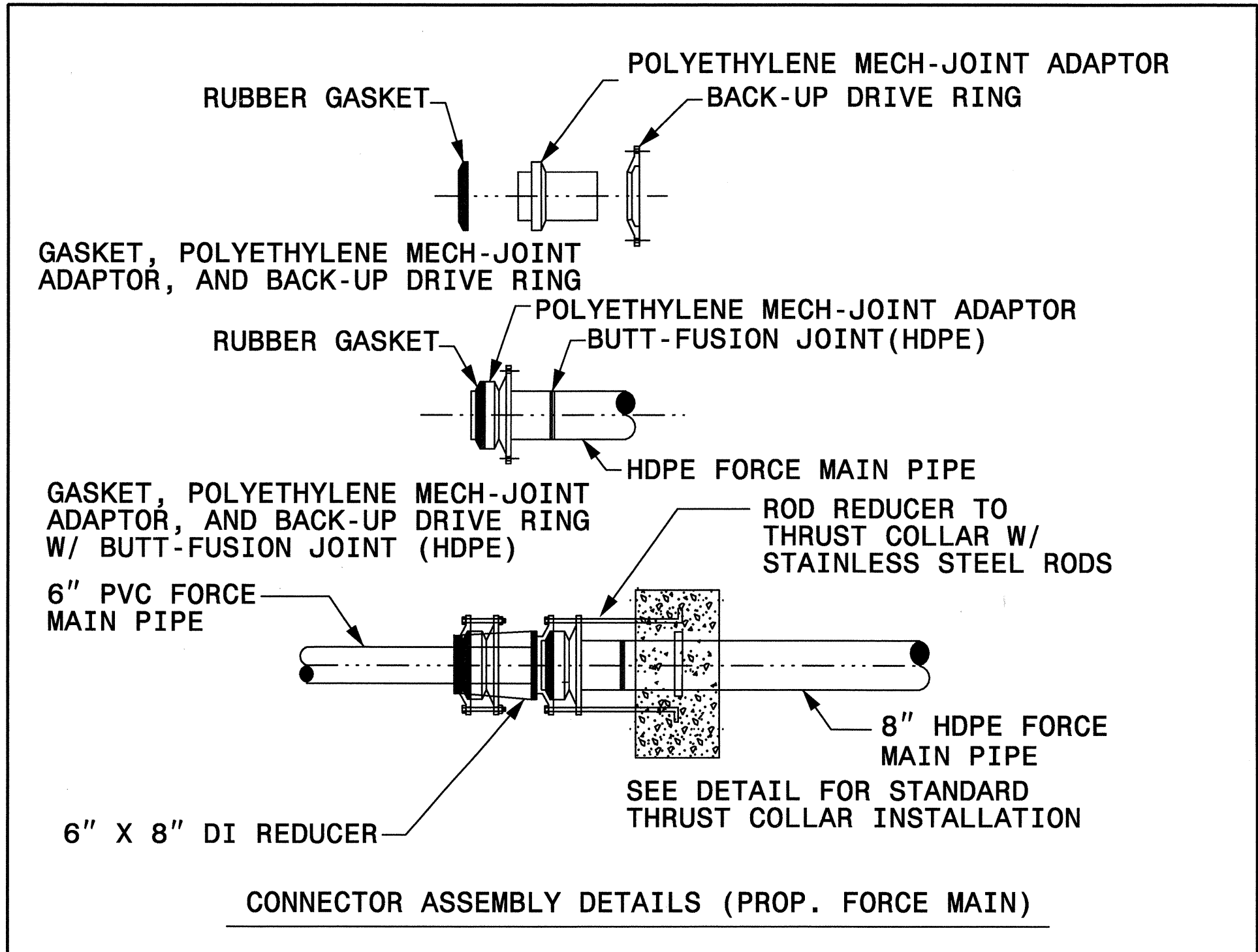
PAVEMENT REPAIR DETAIL

MAXIMUM TRENCH WIDTH AT TOP OF PIPE

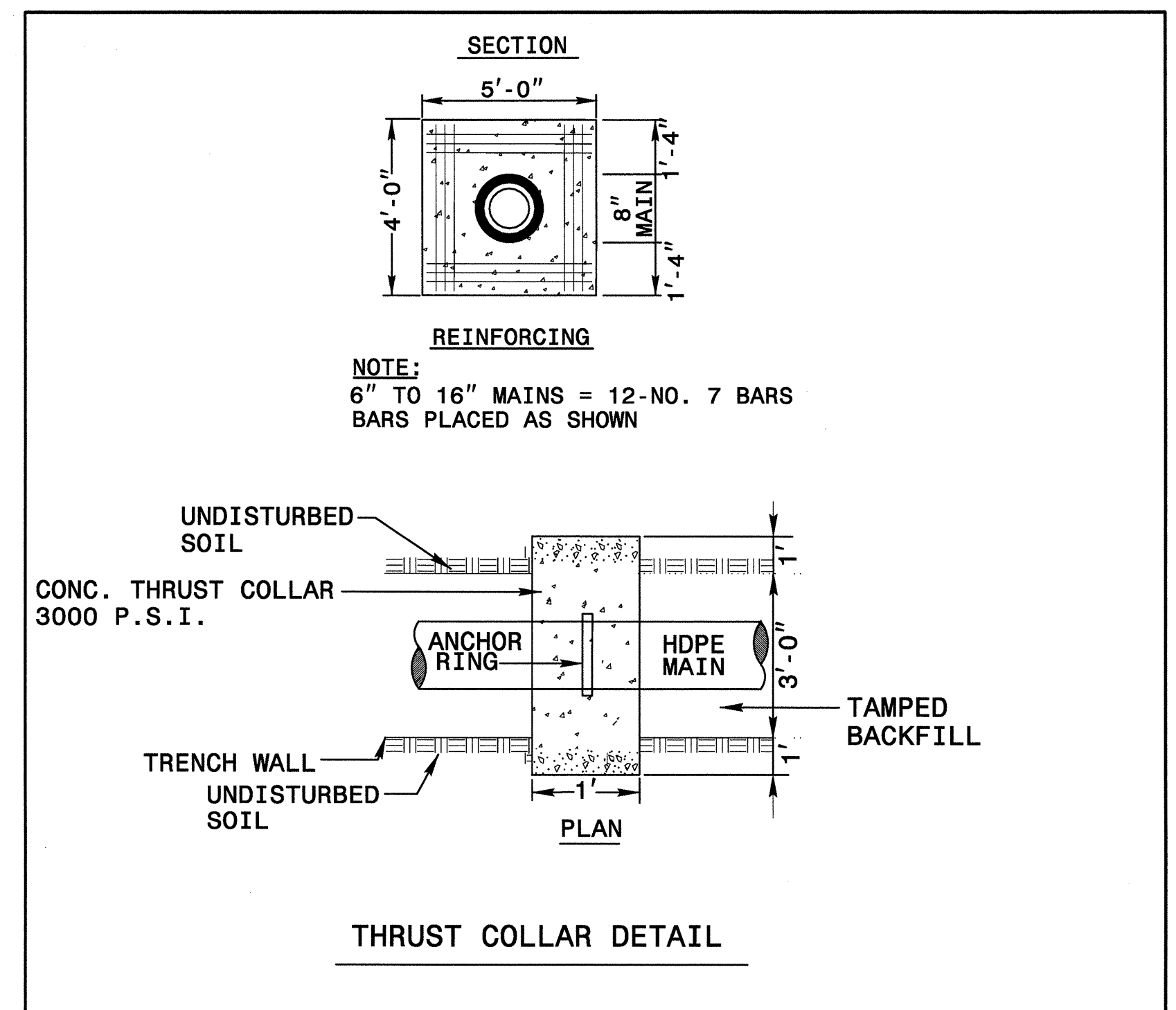
NOMINAL PIPE SIZE (INCHES)	TRENCH WIDTH (INCHES)	NOMINAL PIPE SIZE (INCHES)	TRENCH WIDTH (INCHES)
4	28	20	44
6	30	24	48
8	32	30	54
10	34	36	60
12	36	42	66
14	38	48	72
16	40	54	78
18	42		



PIPE BEDDED IN LOOSE MATERIAL, LIGHTLY TAMPED WITH A MINIMUM OF 6" UNDER PIPE. TRENCH BACKFILLED IN LOOSE 6" LAYERS COMPACTED TO TOP OF TRENCH USING LOCAL EXCAVATED MATERIAL, IF APPROVED BY THE ENGINEER, OR SELECT MATERIAL. ALL MATERIAL SHALL BE FREE OF ROCKS, FOREIGN MATERIAL, AND FROZEN EARTH. COMPACTION SHALL BE TO APPROX. 95% DENSITY IN ACCORDANCE WITH AASHTO T-99 AS MODIFIED BY THE DEPARTMENT OF TRANSPORTATION.



CONNECTOR ASSEMBLY DETAILS (PROP. FORCE MAIN)



THRUST COLLAR DETAIL

09/04/04 AM
 c:\p2\85\634\96\Plots\B3496uc4.dgn
 2/17/04