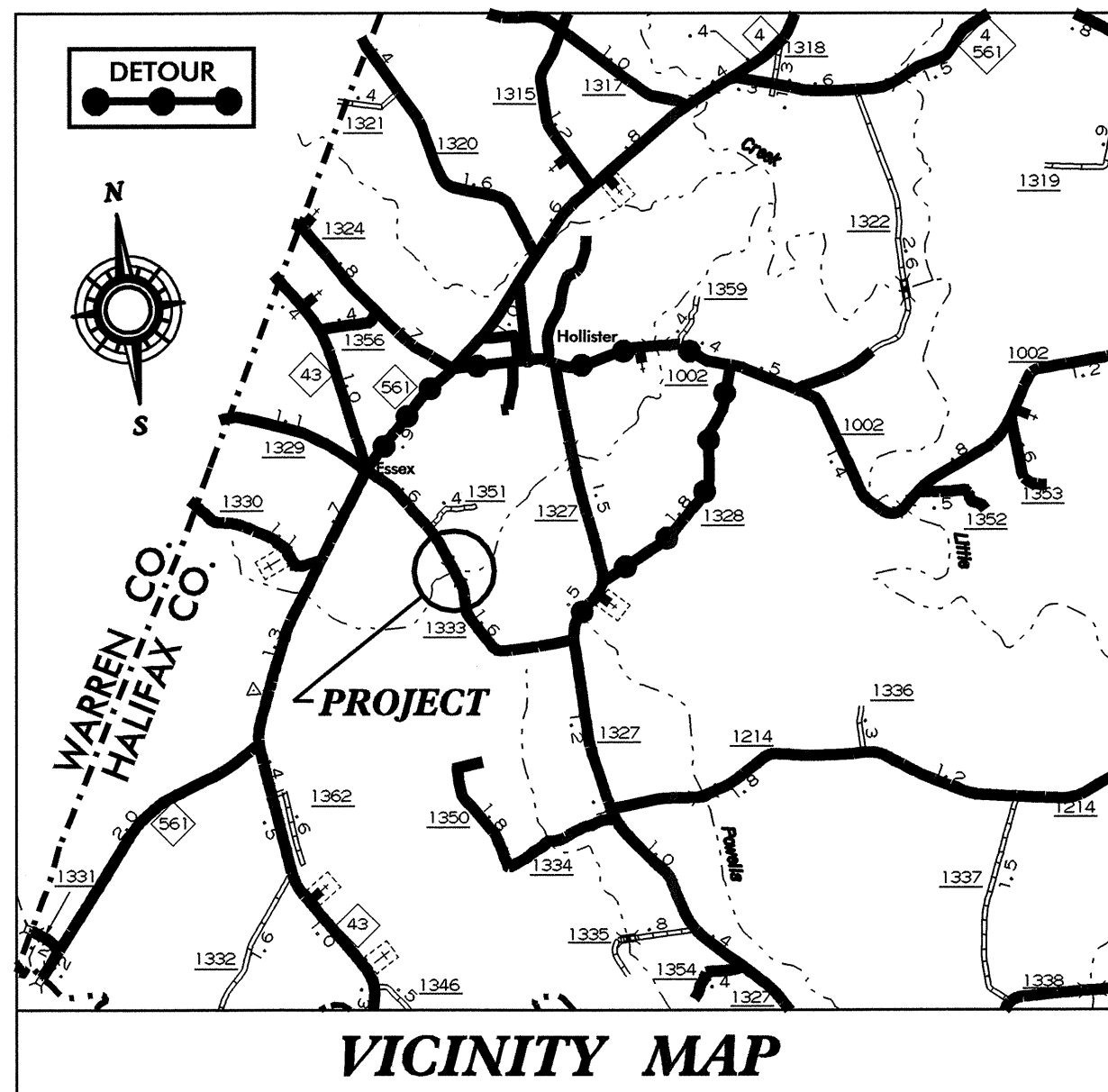


**CONTRACT: C200671 TIP PROJECT: B-3182**

**STRUCTURE**



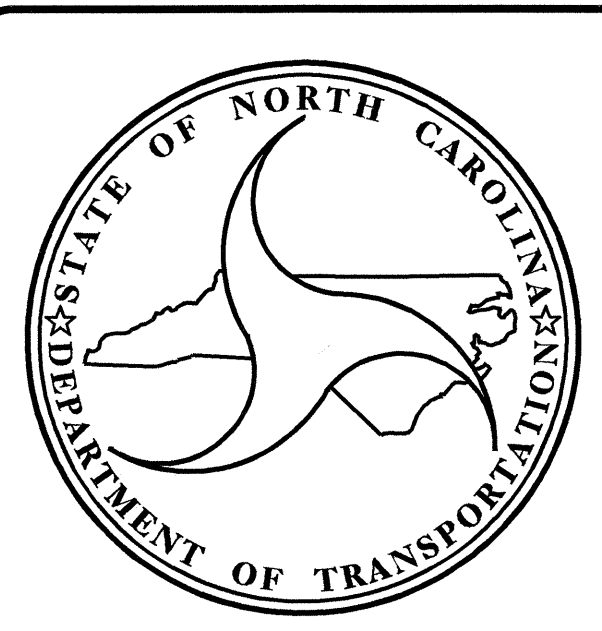
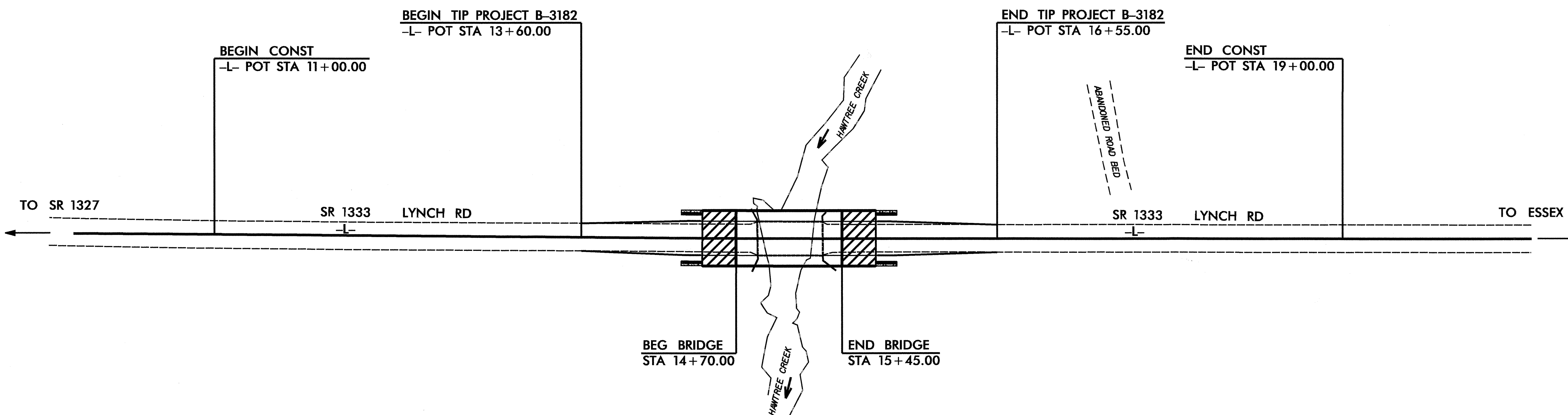
STATE OF NORTH CAROLINA  
DIVISION OF HIGHWAYS

**HALIFAX COUNTY**

**LOCATION: BRIDGE NO. 145 OVER HAWTREE CREEK ON SR 1333 (LYNCH ROAD)**

**TYPE OF WORK: GRADING, DRAINAGE, PAVING, STRUCTURE**

STATE	STATE PROJECT REFERENCE NO.	SHEET NO.	TOTAL SHEETS
N.C.	B-3182		
WBS NO.	P.A. PROJ. NO.	DESCRIPTION	
32917.1.1	BRZ-1333(4)	PE	
32917.2.1	BRZ-1333(4)	R/W, UTIL.	
32917.3.2	BRZ-1333(6)	CONST.	



**DESIGN DATA**

ADT 2004 =	1300
ADT 2024 =	2100
DHV =	10%
D =	60%
T =	5% *
V =	60 MPH

\* (2% TTST + 3% DUALS)  
FUNC CLASS = LOCAL

**PROJECT LENGTH**

LENGTH ROADWAY TIP PROJECT B-3182	=	0.042 MI.
LENGTH STRUCTURE TIP PROJECT B-3182	=	0.014 MI.
TOTAL LENGTH TIP PROJECT B-3182	=	0.056 MI.

Prepared In the Office of:  
**DIVISION OF HIGHWAYS**  
1000 Birch Ridge Dr., NC, 27610

2002 STANDARD SPECIFICATIONS

**JOHN C. FRYE, P. E.**  
PROJECT ENGINEER

**W. A. DAVIS, P. E.**  
PROJECT DESIGN ENGINEER

LETTING DATE:  
March 15, 2005

**STRUCTURE DESIGN UNIT**  
1000 Birch Ridge Dr., NC, 27610

*Gregory R. Perrett*  
1-28-05

**DIVISION OF HIGHWAYS**  
STATE OF NORTH CAROLINA

P.E.

STATE DESIGN ENGINEER

**DEPARTMENT OF TRANSPORTATION**  
FEDERAL HIGHWAY ADMINISTRATION

APPROVED  
DIVISION ADMINISTRATOR

DATE

10-JAN-2005 10:55  
\*\*\*\*\*DCN\*\*\*\*\*  
\*\*\*\*\*