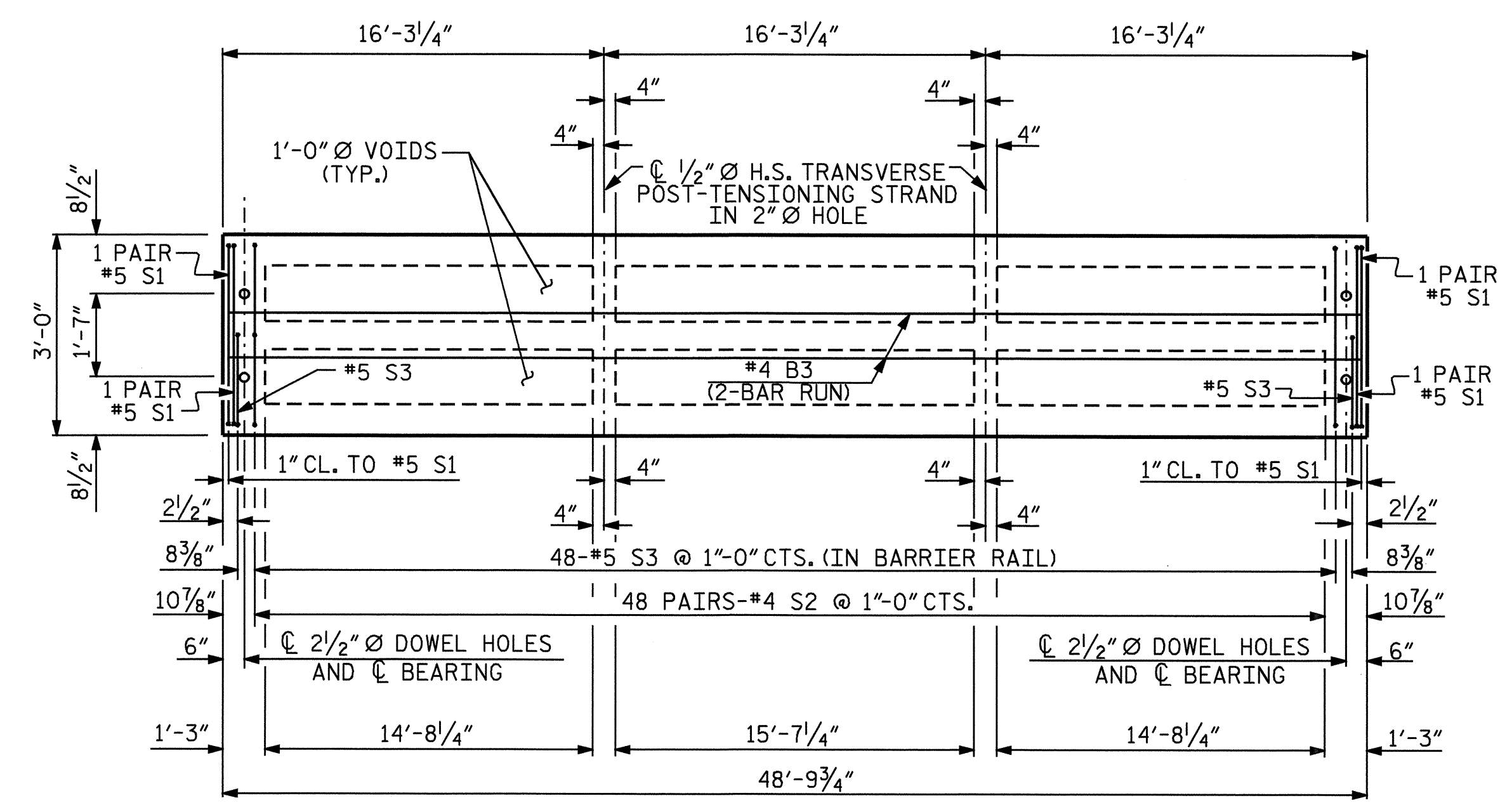
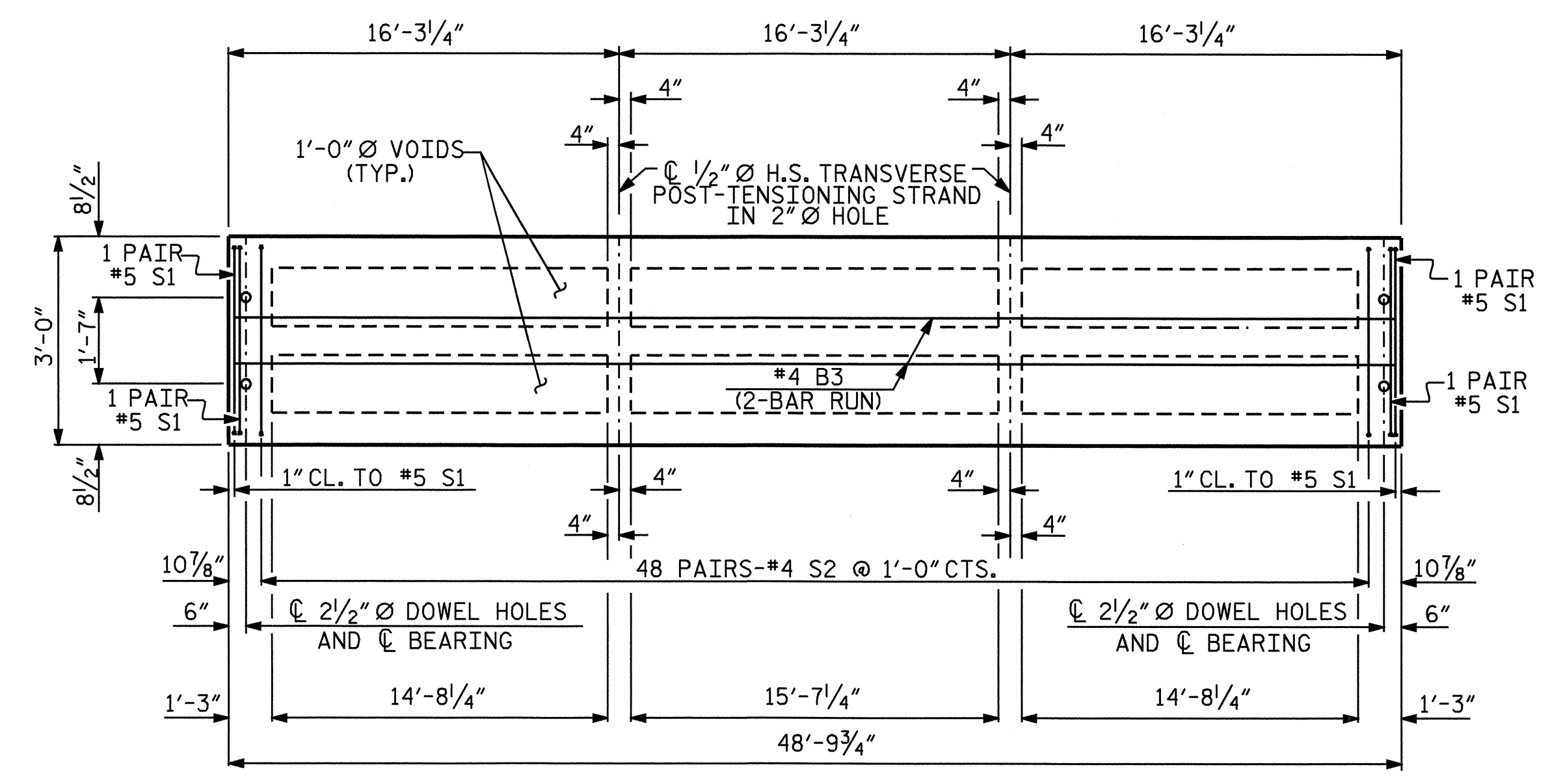


SPAN B



PLAN OF EXTERIOR CORED SLAB UNIT



PLAN OF INTERIOR CORED SLAB UNIT

PROJECT NO. B-3182
HALIFAX COUNTY
 STATION: 15+07.50 -L-
 SHEET 3 OF 4

STATE OF NORTH CAROLINA
 DEPARTMENT OF TRANSPORTATION
 RALEIGH

SUPERSTRUCTURE
 PLAN OF SPAN B



DRAWN BY: J.D. HAWK DATE: 3-15-04
 CHECKED BY: J.G. KHARVA DATE: 9/04

REVISIONS						SHEET NO.
NO.	BY:	DATE:	NO.	BY:	DATE:	S-6
1			3			TOTAL SHEETS
2			4			19