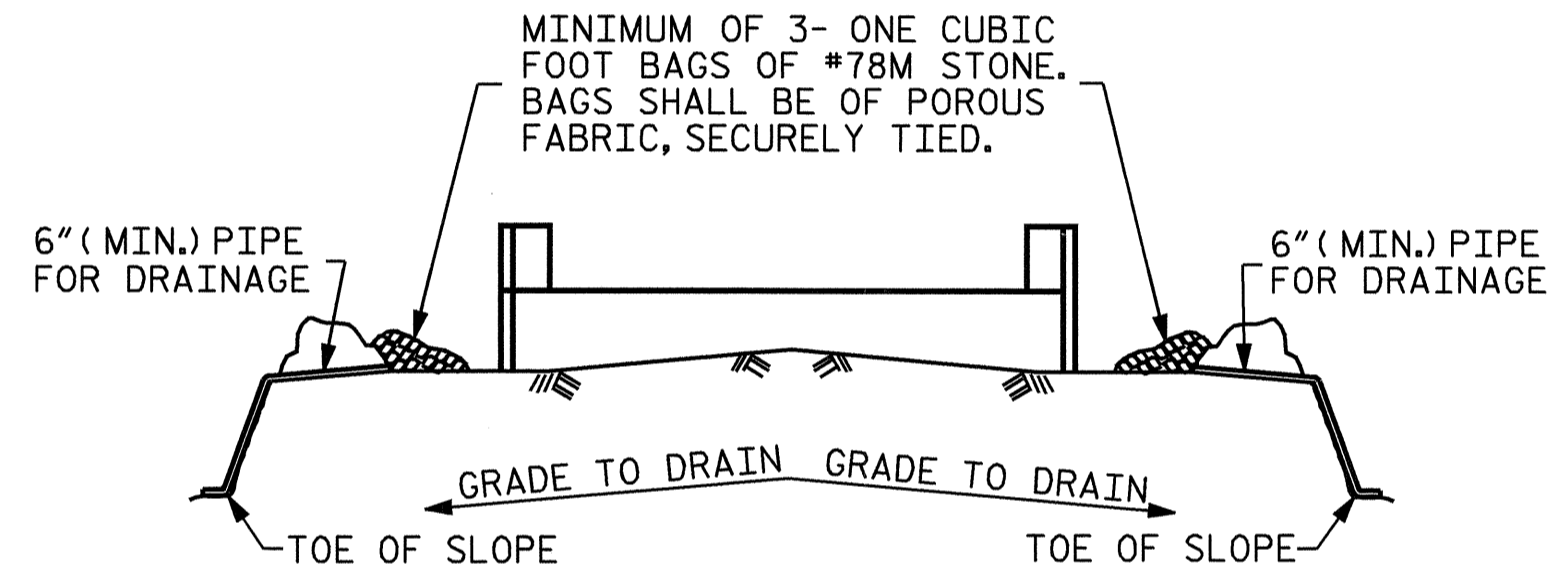


**SECTION A-A**

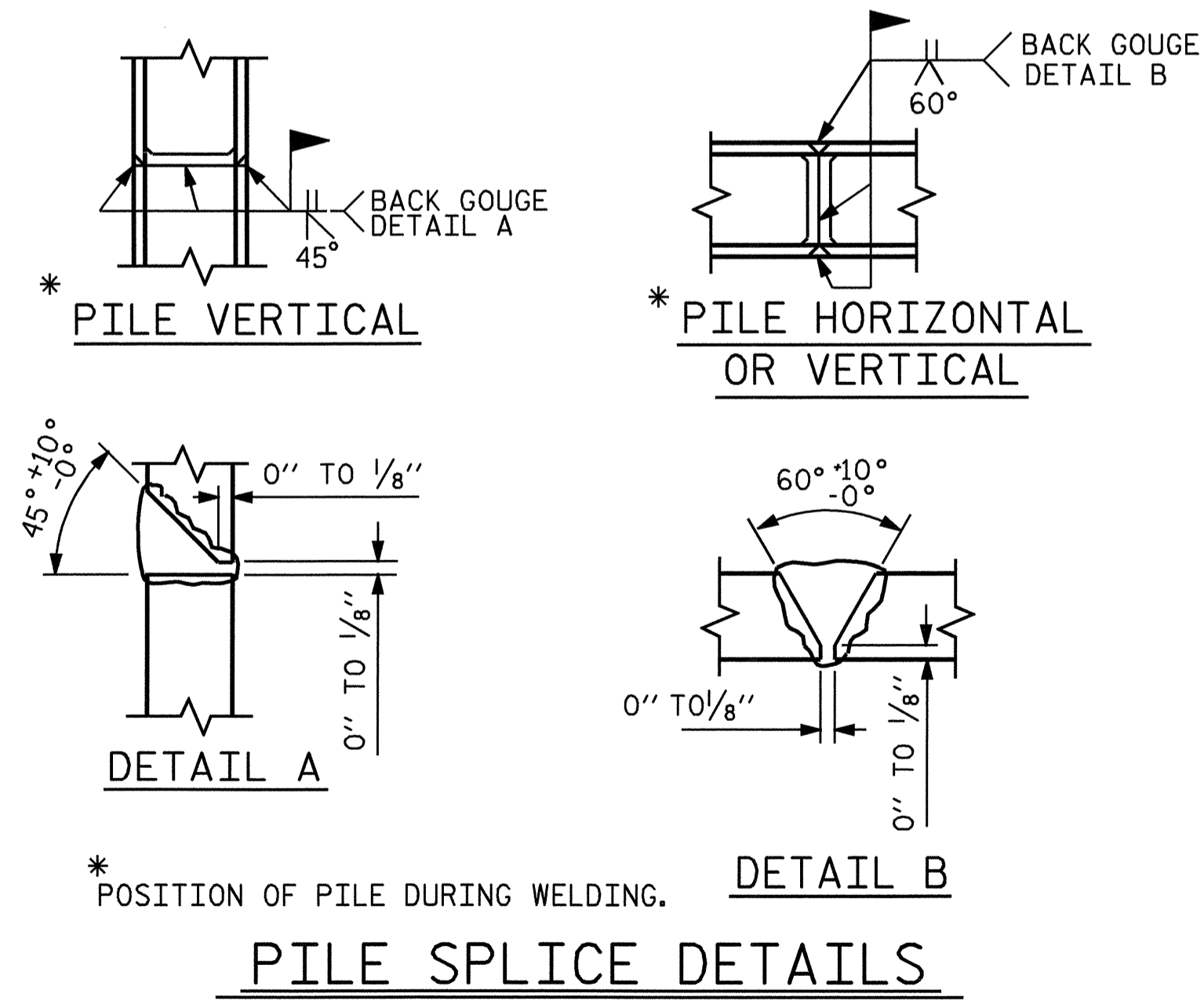


BAGGED STONE AND PIPE SHALL BE PLACED IMMEDIATELY AFTER COMPLETION OF END BENT EXCAVATION. PIPE MAY BE EITHER CONCRETE, CORRUGATED STEEL, CORRUGATED ALUMINUM ALLOY, OR CORRUGATED PLASTIC. PERFORATED PIPE WILL NOT BE ALLOWED.

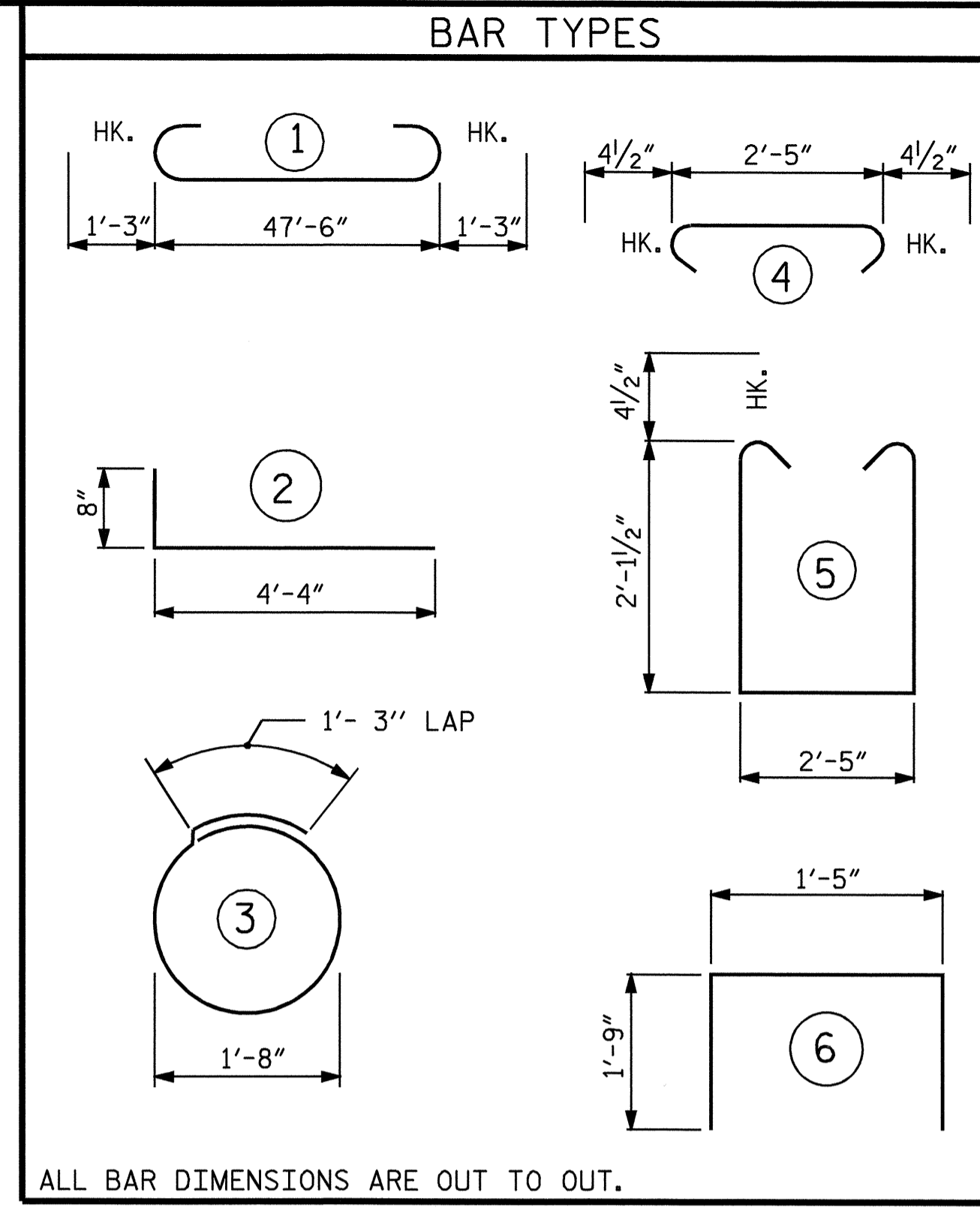
BAGGED STONE SHALL REMAIN IN PLACE UNTIL THE ENGINEER DIRECTS THAT IT BE REMOVED. THE CONTRACTOR SHALL REMOVE AND DISPOSE OF SILT ACCUMULATIONS AT BAGGED STONE WHEN SO DIRECTED BY THE ENGINEER. BAGS SHALL BE REMOVED AND REPLACED WHENEVER THE ENGINEER DETERMINES THAT THEY HAVE DETERIORATED AND LOST THEIR EFFECTIVENESS.

NO SEPARATE PAYMENT WILL BE MADE FOR THIS WORK AND THE ENTIRE COST OF THIS WORK SHALL BE INCLUDED IN THE UNIT CONTRACT PRICE BID FOR THE SEVERAL PAY ITEMS.

**TEMPORARY DRAINAGE AT END BENT**



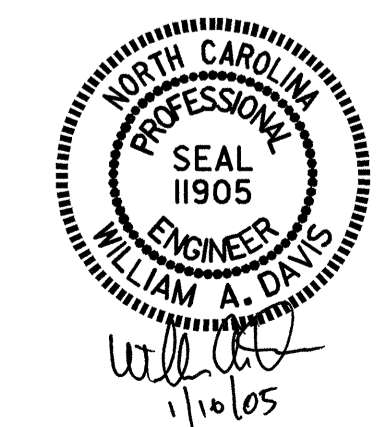
**PILE SPLICE DETAILS**



ALL BAR DIMENSIONS ARE OUT TO OUT.

BILL OF MATERIAL					
END BENT #2					
BAR	NO.	SIZE	TYPE	LENGTH	WEIGHT
B1	8	#9		50'-0"	1360
B2	4	#5	STR	47'-8"	199
B3	8	#4	STR	25'-1"	134
B4	12	#4	STR	2'-5"	19
D1	28	#6	STR	1'-6"	63
H1	24	#4		5'-0"	80
K1	12	#4	STR	2'-6"	20
S1	42	#4		7'-5"	208
S2	42	#4		3'-2"	89
S3	18	#4		6'-6"	78
U1	4	#4		4'-11"	13
V1	32	#4	STR	3'-10"	82
REINFORCING STEEL				LBS.	2345
CLASS A CONC. BREAKDOWN					
POUR 1 (CAP & LOWER WINGS)				C.Y.	12.9
POUR 2 (UPPER WINGS)				C.Y.	0.9
POUR 3 (LATERAL GUIDES)				C.Y.	0.1
TOTAL				C.Y.	13.9
HP 12X53 STEEL PILES					
NUMBER = 9				LIN. FT. =	112.5
PILE EXCAVATION				LIN. FT. =	30
IN SOIL				LIN. FT. =	10
PILE EXCAVATION NOT				LIN. FT. =	10
IN SOIL				LIN. FT. =	10

SPlice LENGTH CHART		
BARS	SIZE	SPlice LENGTH
B3	#4	2'-5"



PROJECT NO. B-3182  
HALIFAX COUNTY  
STATION: 15+07.50 -L-  
SHEET 3 OF 3

STATE OF NORTH CAROLINA DEPARTMENT OF TRANSPORTATION RALEIGH					
SUBSTRUCTURE END BENT #2					
REVISIONS					SHEET NO.
NO.	BY:	DATE:	NO.	BY:	DATE:
1			3		
2			4		
					S-15
					TOTAL SHEETS 19