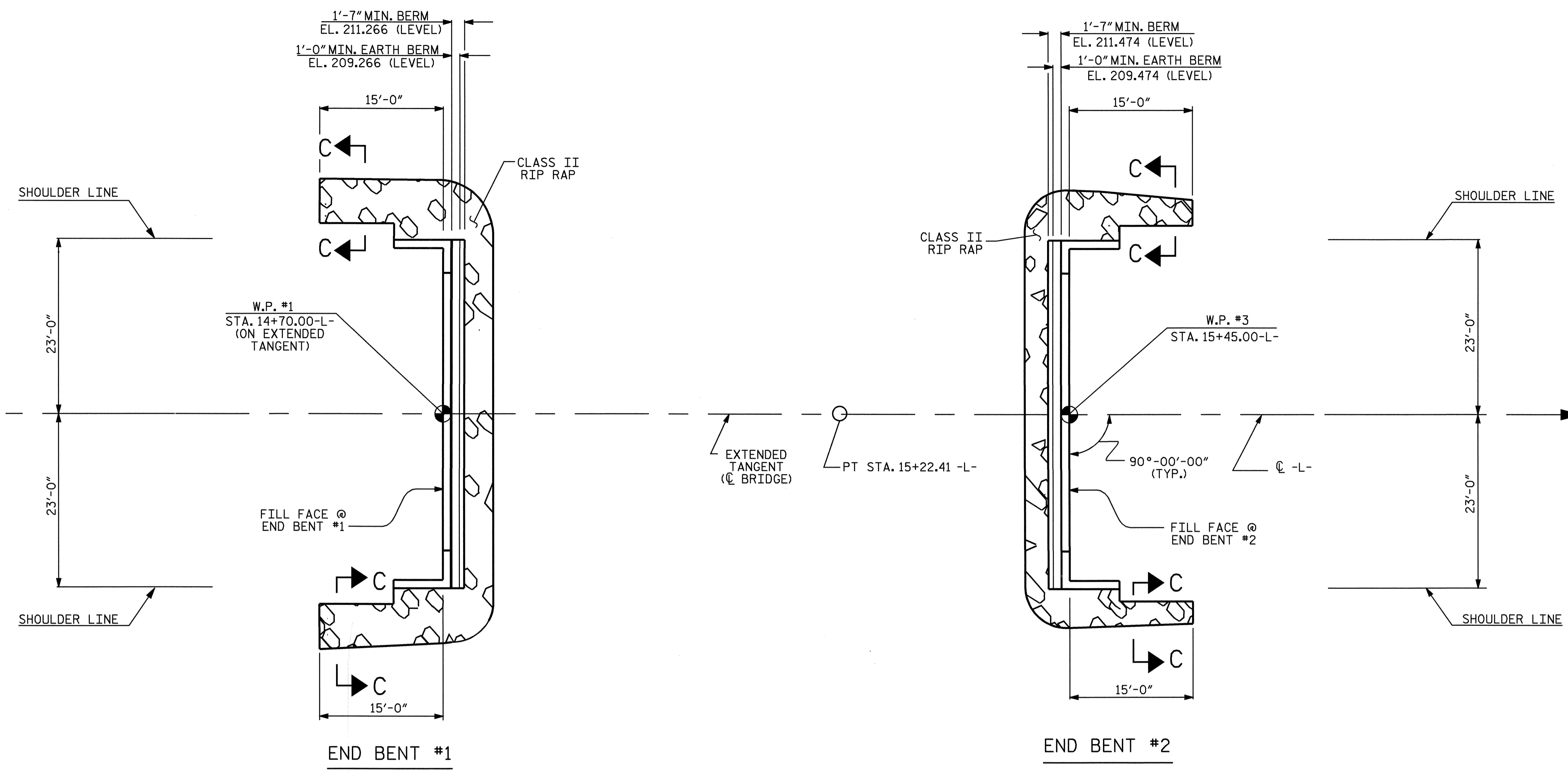
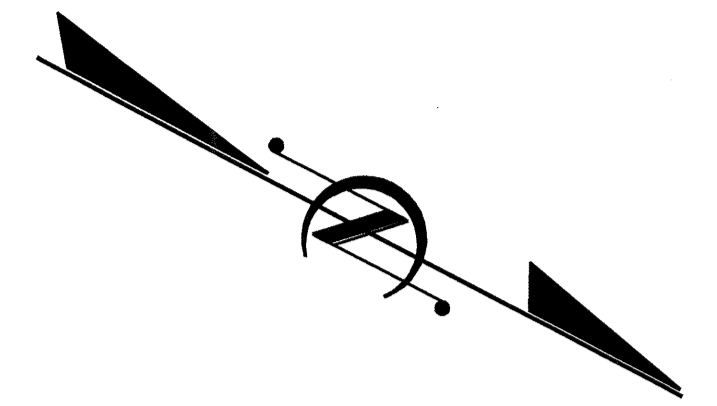
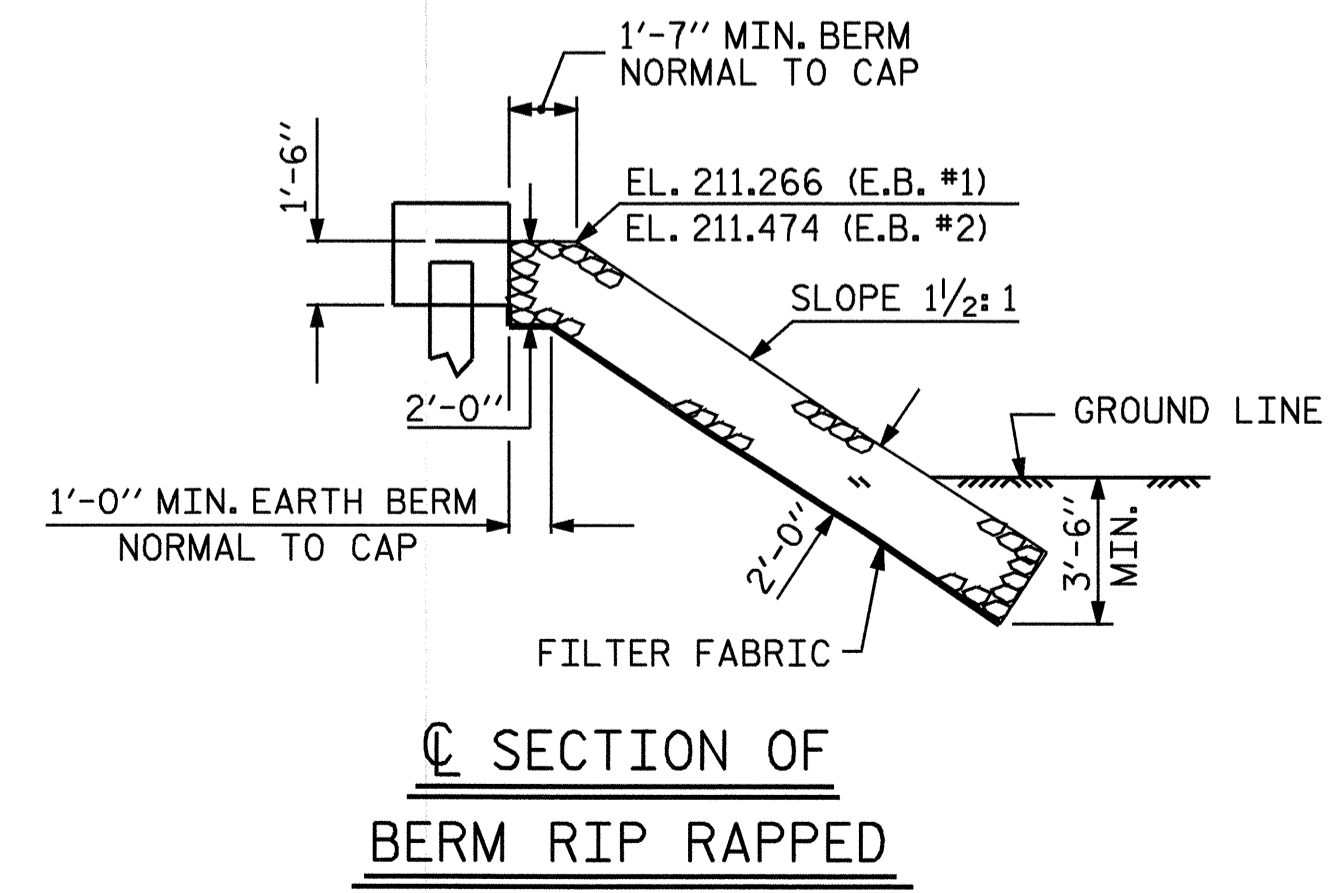


**NOTES :**  
 THE COST OF THE FILTER FABRIC SHALL BE INCLUDED IN THE CONTRACT PRICE BID FOR PLAIN RIP RAP CLASS II.

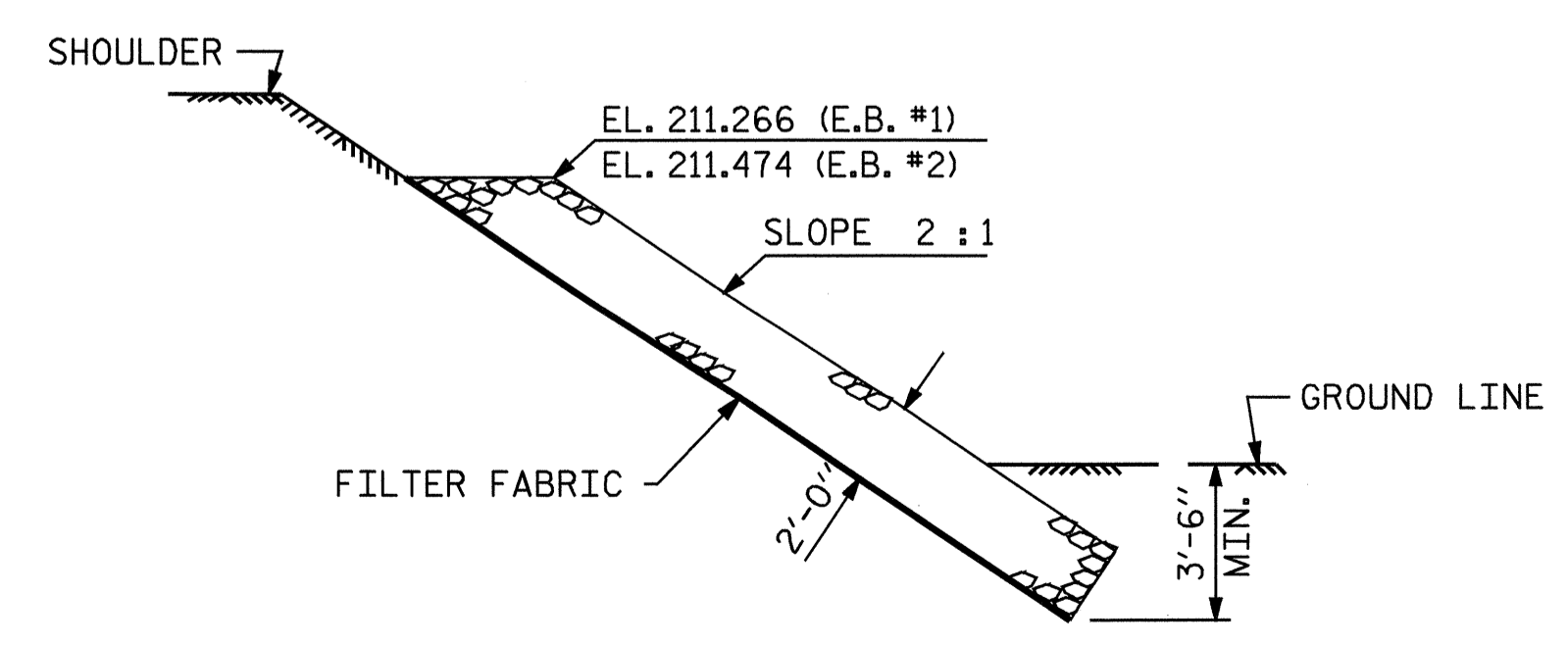


ESTIMATED QUANTITIES		
BRIDGE @ STA. 15+07.50 -L-	PLAIN RIP RAP CLASS II	FILTER FABRIC FOR DRAINAGE
	TONS	SQUARE YARDS
END BENT 1	97	108
END BENT 2	64	71

**PLAN**



**SECTION OF  
 BERM RIP RAPPED**



**SECTION C-C**

PROJECT NO. B-3182  
HALIFAX COUNTY  
 STATION: 15+07.50 -L-



ASSEMBLED BY : G.O. COOPER DATE : 20OCT03  
 CHECKED BY : J.D. HAWK DATE : 5FEB04  
 DRAWN BY : FCJ 2/88 REV. 7/17/98 REK/RWW  
 CHECKED BY : ARB 8/88 REV. 8/16/99 RWW/LES  
 REV. 10/17/00 RWW/LES

REVISIONS						SHEET NO. S-16
NO.	BY:	DATE:	NO.	BY:	DATE:	
1			3			TOTAL SHEETS 19
2			4			