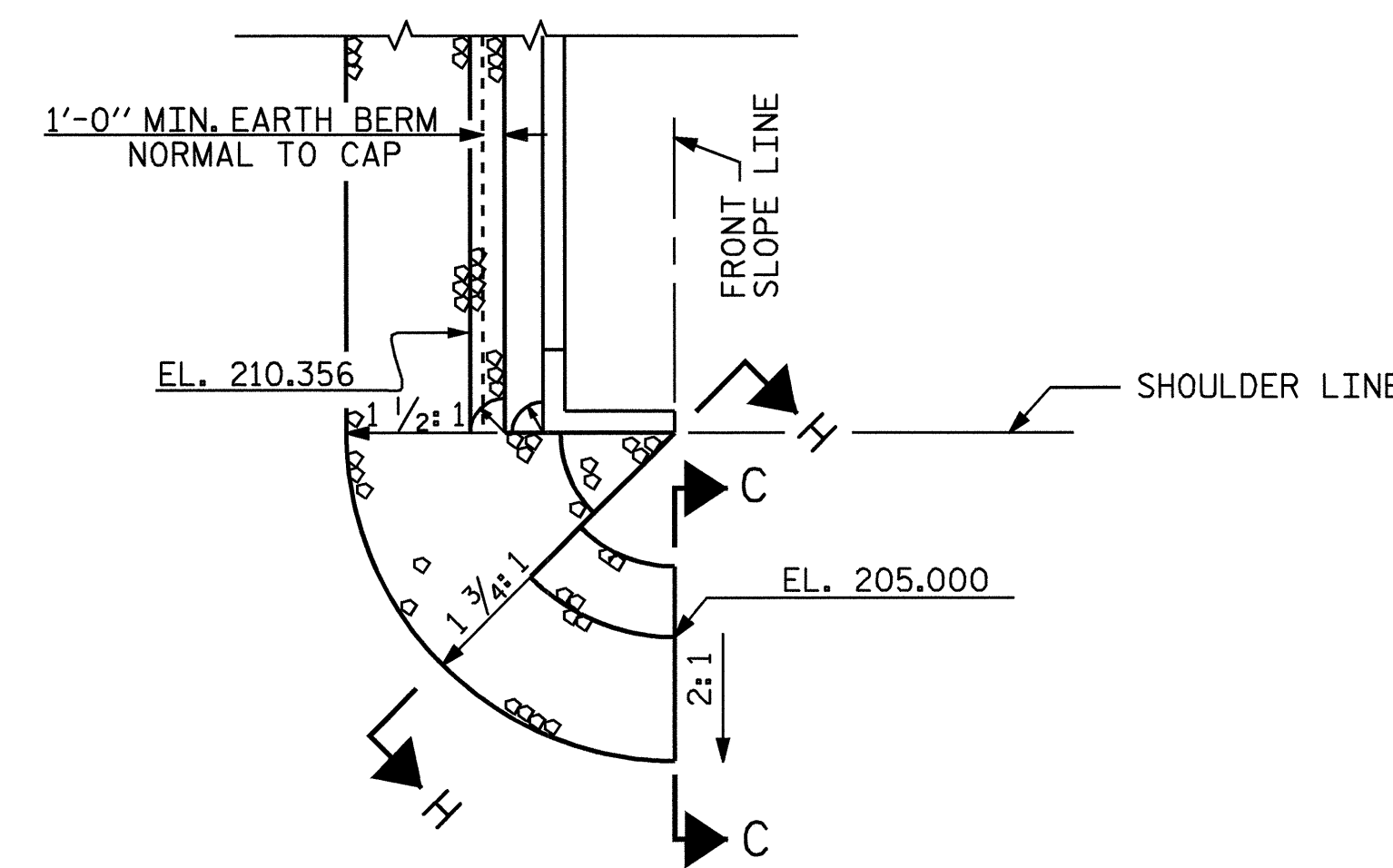
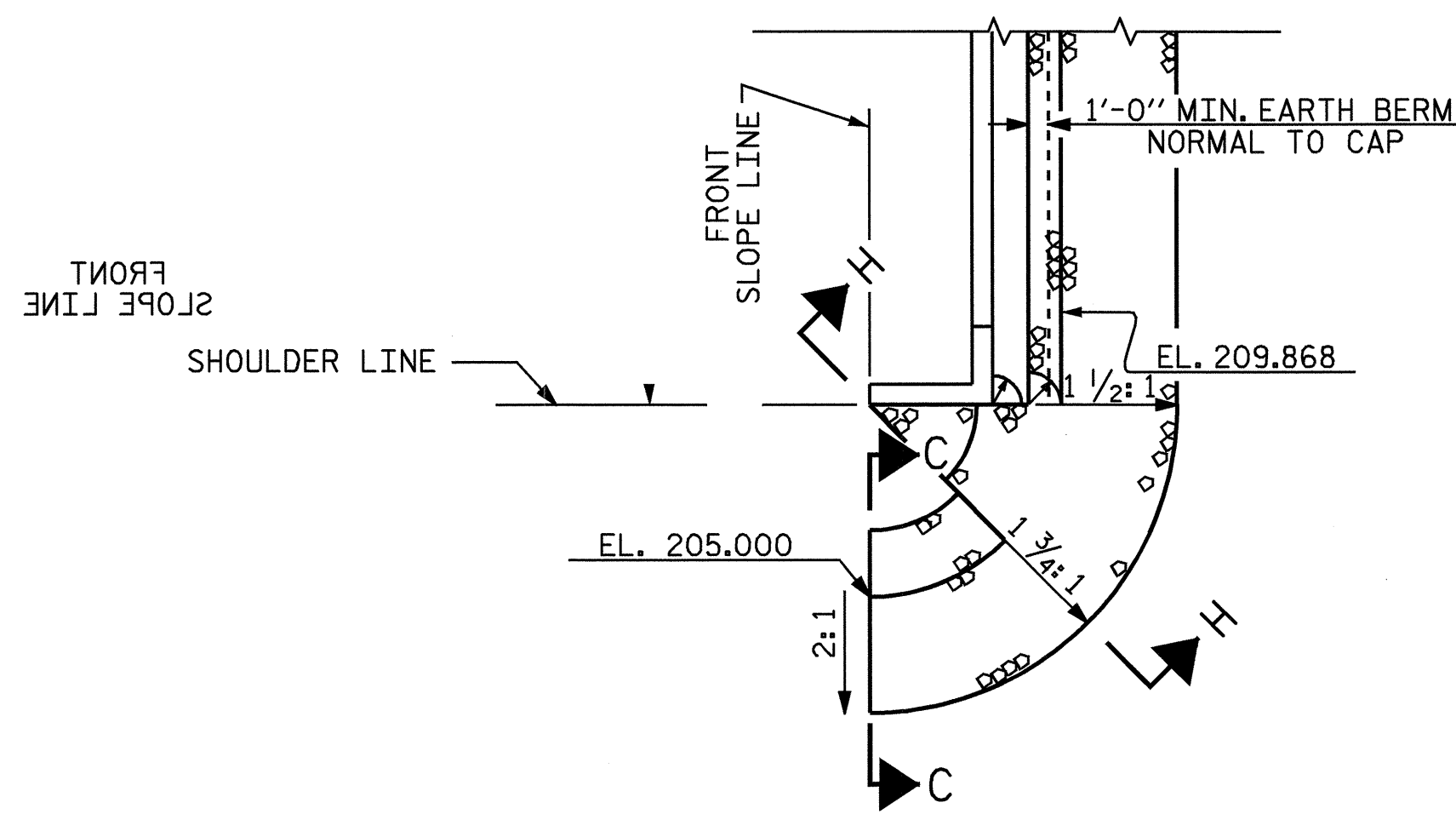
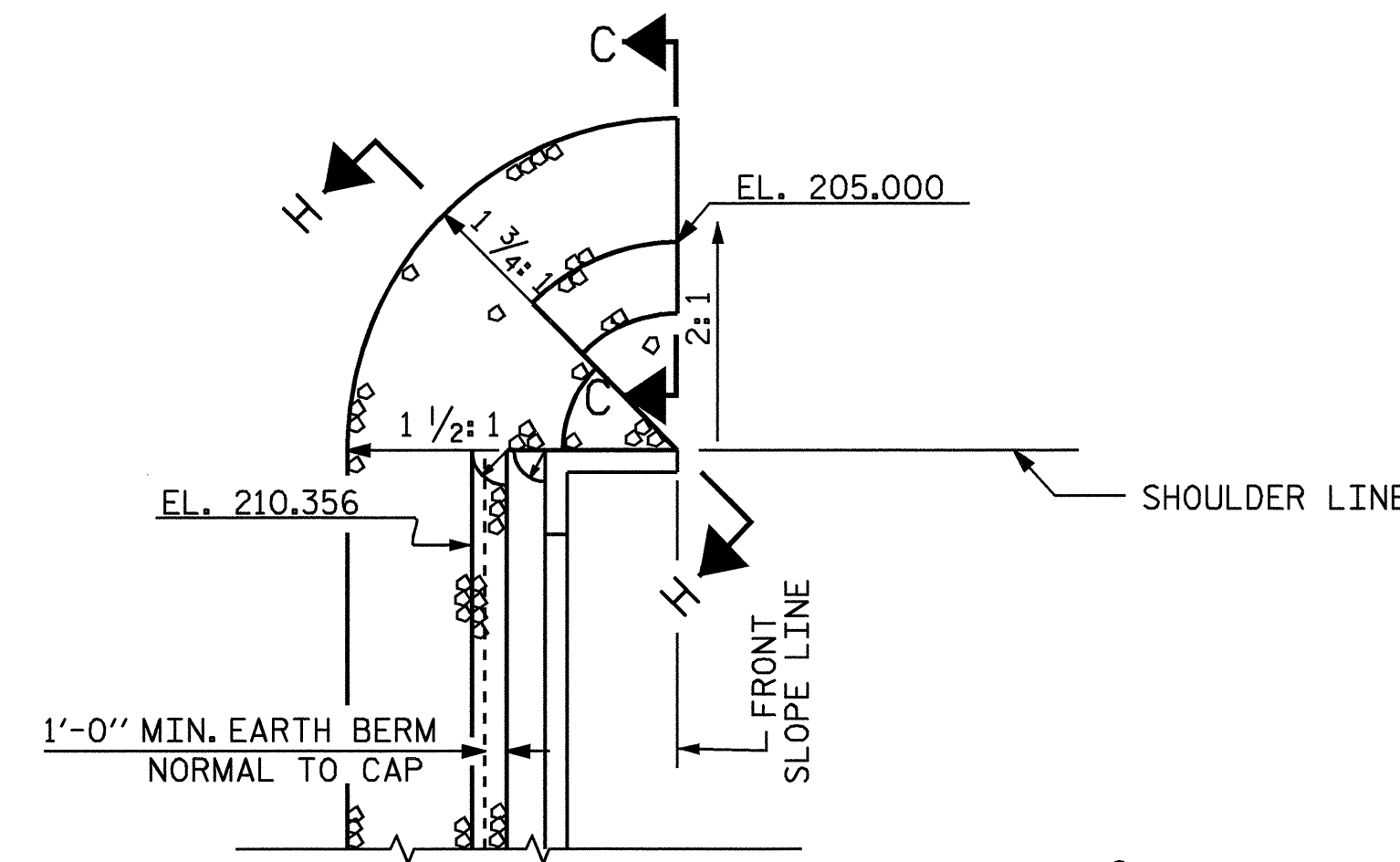
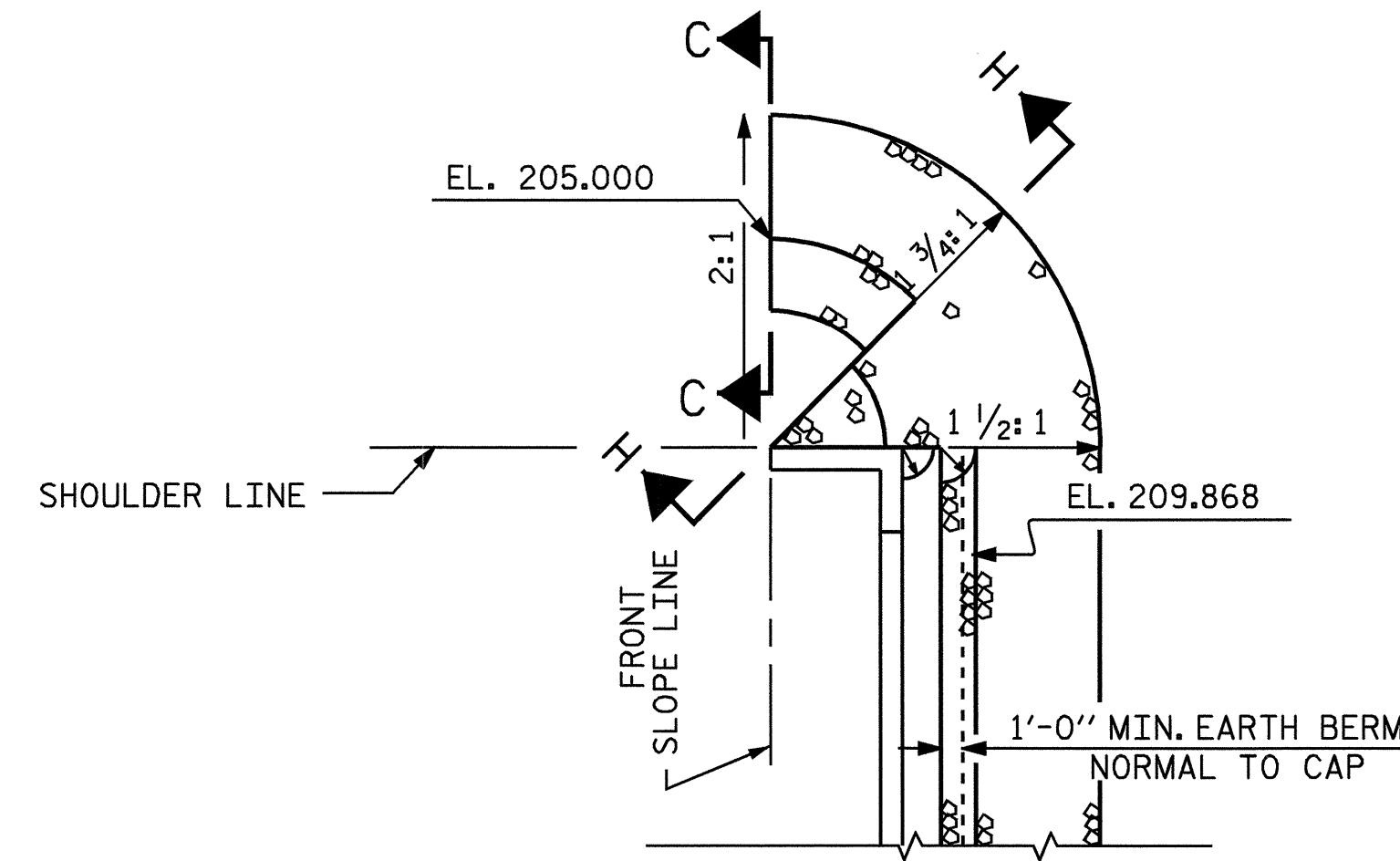


NOTES :
 FOR BERM WIDTH DIMENSIONS, SEE GENERAL DRAWING.
 THE COST OF THE FILTER FABRIC SHALL BE INCLUDED IN THE CONTRACT PRICE BID FOR PLAIN RIP RAP CLASS II.

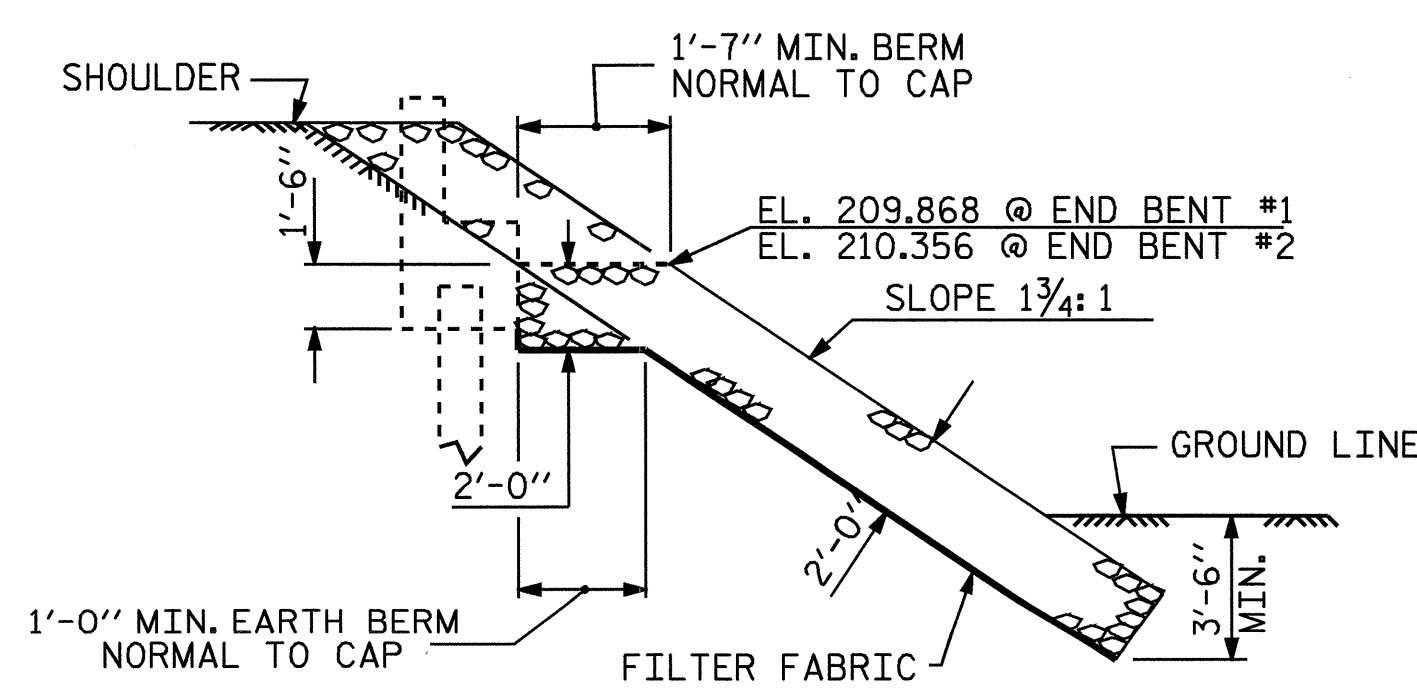


END BENT NO. 1

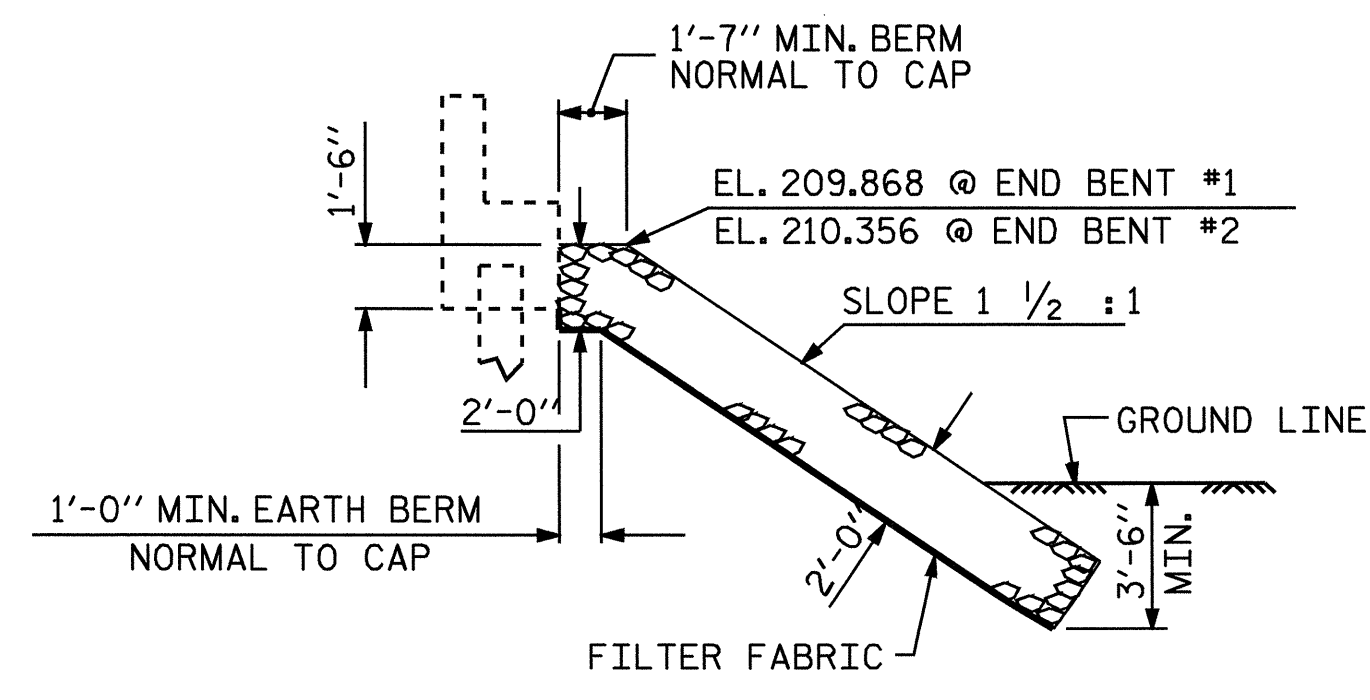
END BENT NO. 2

ESTIMATED QUANTITIES		
BRIDGE @ STA. 15+37.00 -L-	PLAIN RIP RAP CLASS II	FILTER FABRIC FOR DRAINAGE
	TONS	SQUARE YARDS
END BENT 1	130	144
END BENT 2	140	153
TOTAL	270	297

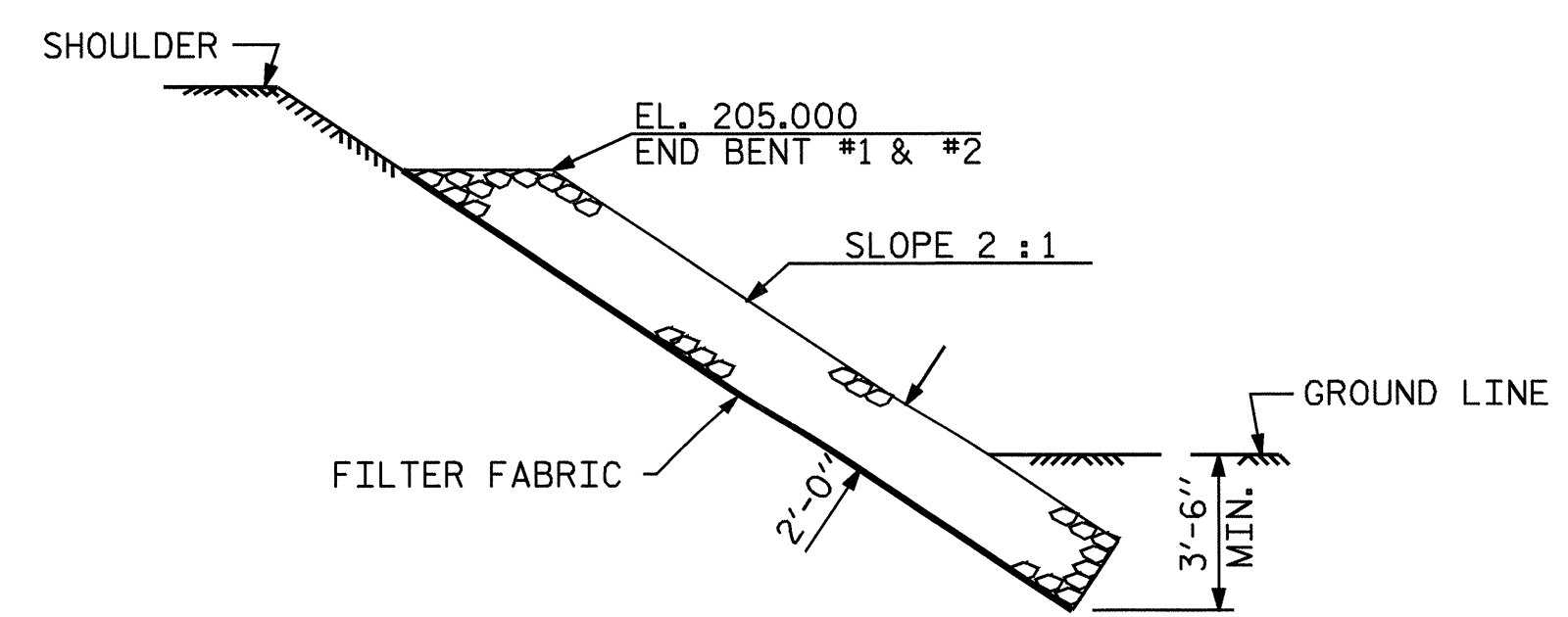
PLAN



SECTION H-H



SECTION C-C
 BERM RIP RAPPED

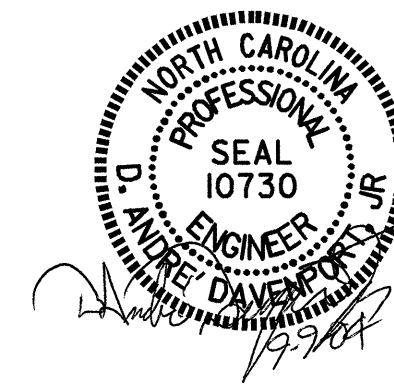


SECTION C-C

PROJECT NO. B-4515
FRANKLIN COUNTY
 STATION: 15+37.00 -L-

STATE OF NORTH CAROLINA
 DEPARTMENT OF TRANSPORTATION
 RALEIGH

— RIP RAP DETAILS —



DRAWN BY : A. A. COLE DATE : 9-2-04
 CHECKED BY : D. A. DAVENPORT DATE : 9-04

REVISIONS						SHEET NO.
NO.	BY:	DATE:	NO.	BY:	DATE:	S-21
1			3			TOTAL SHEETS
2			4			24