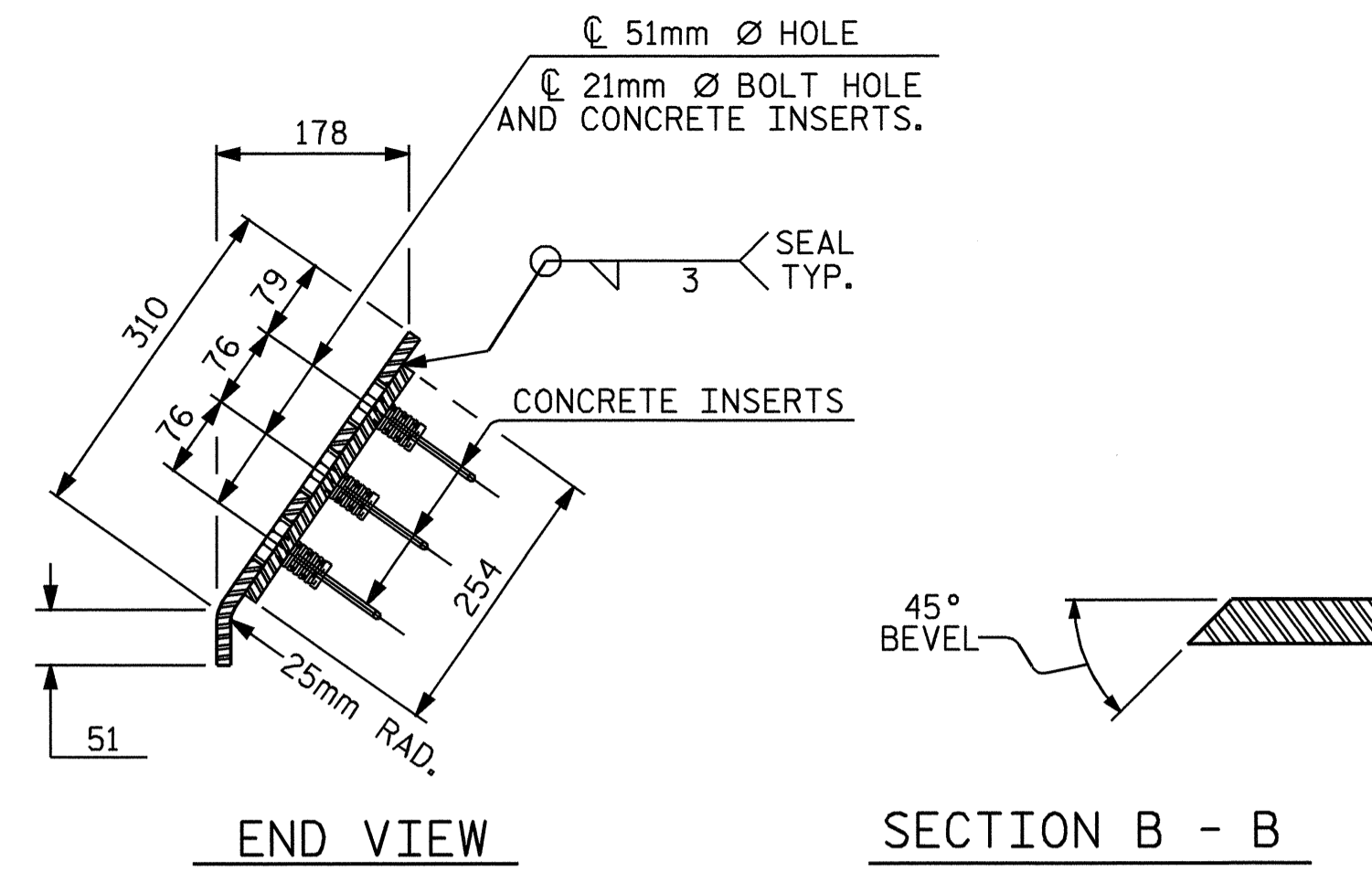
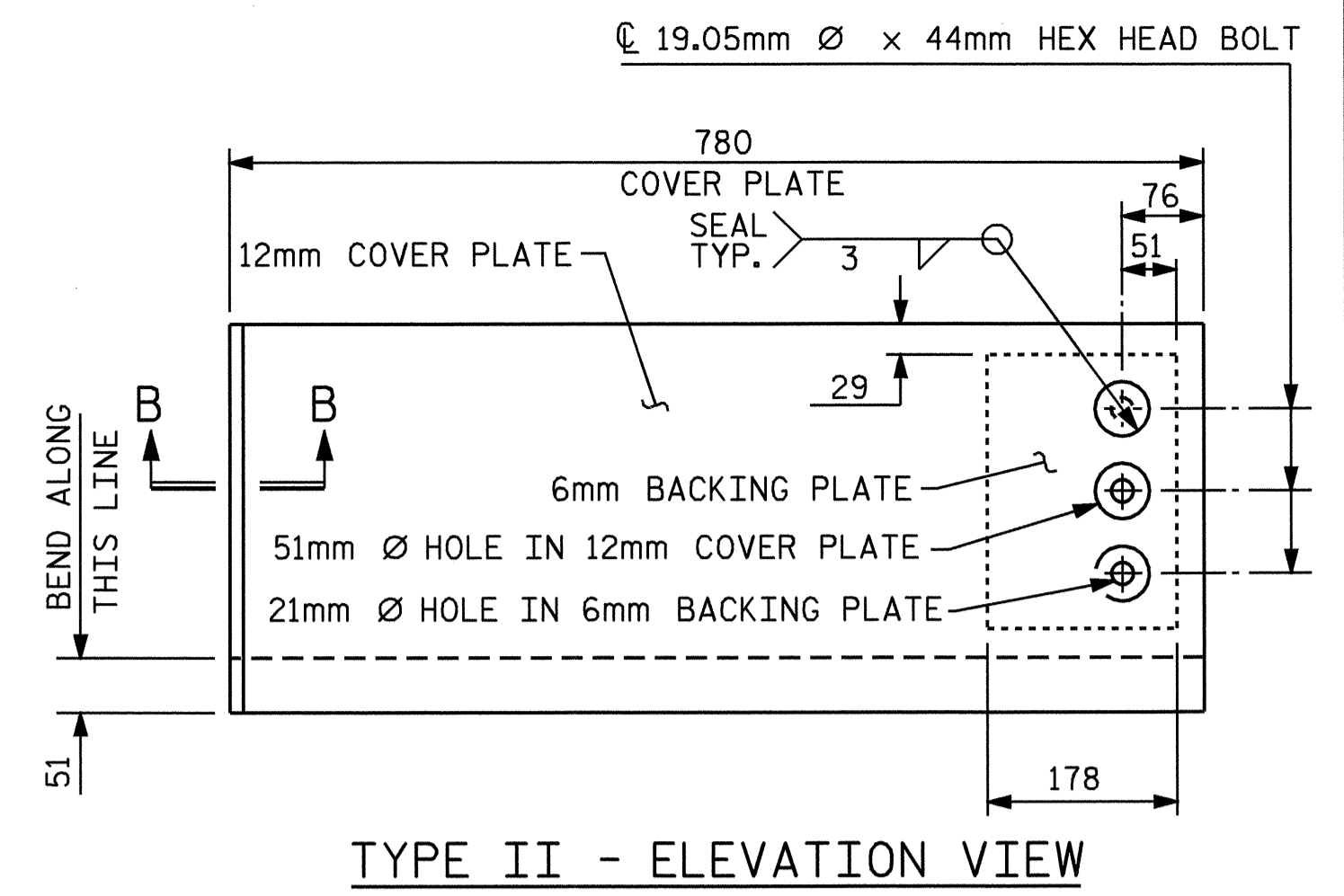


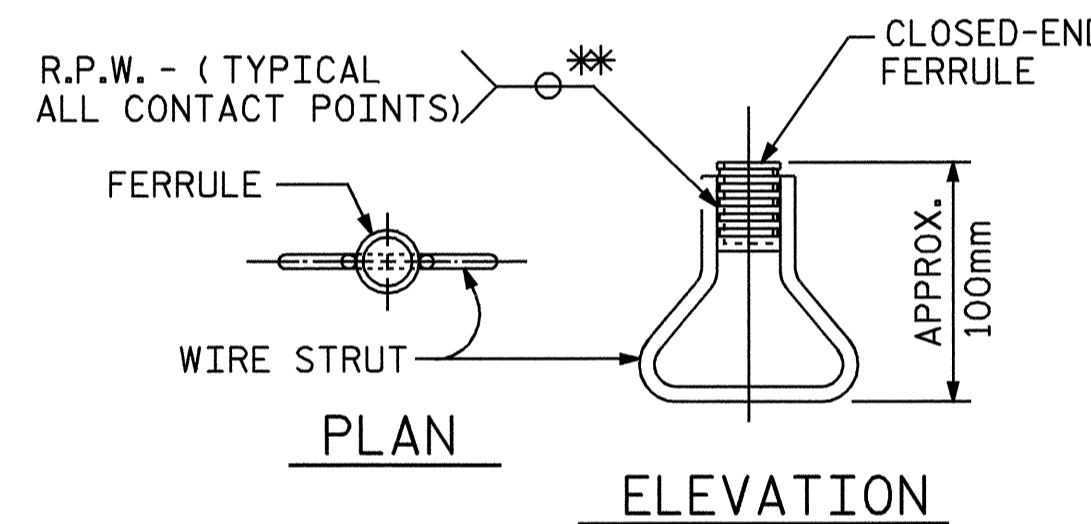
SECTION THRU RAIL NORMAL TO JOINT



COVER PLATE DETAILS

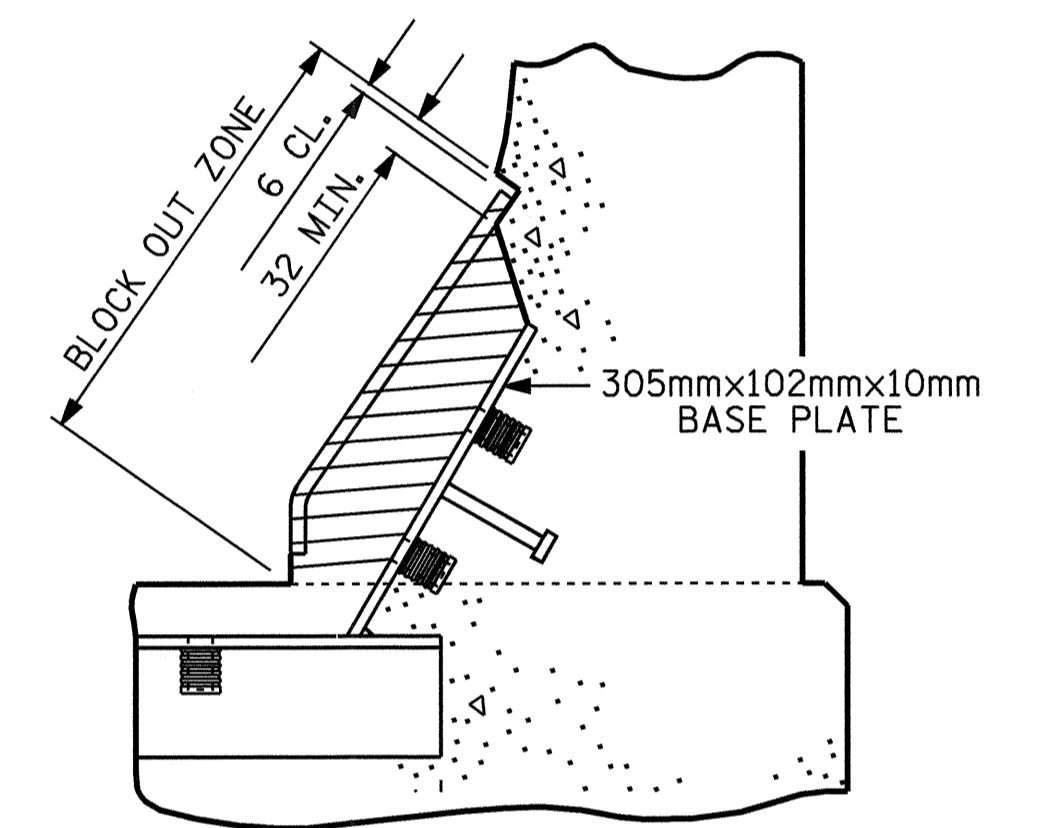


TYPE II - ELEVATION VIEW



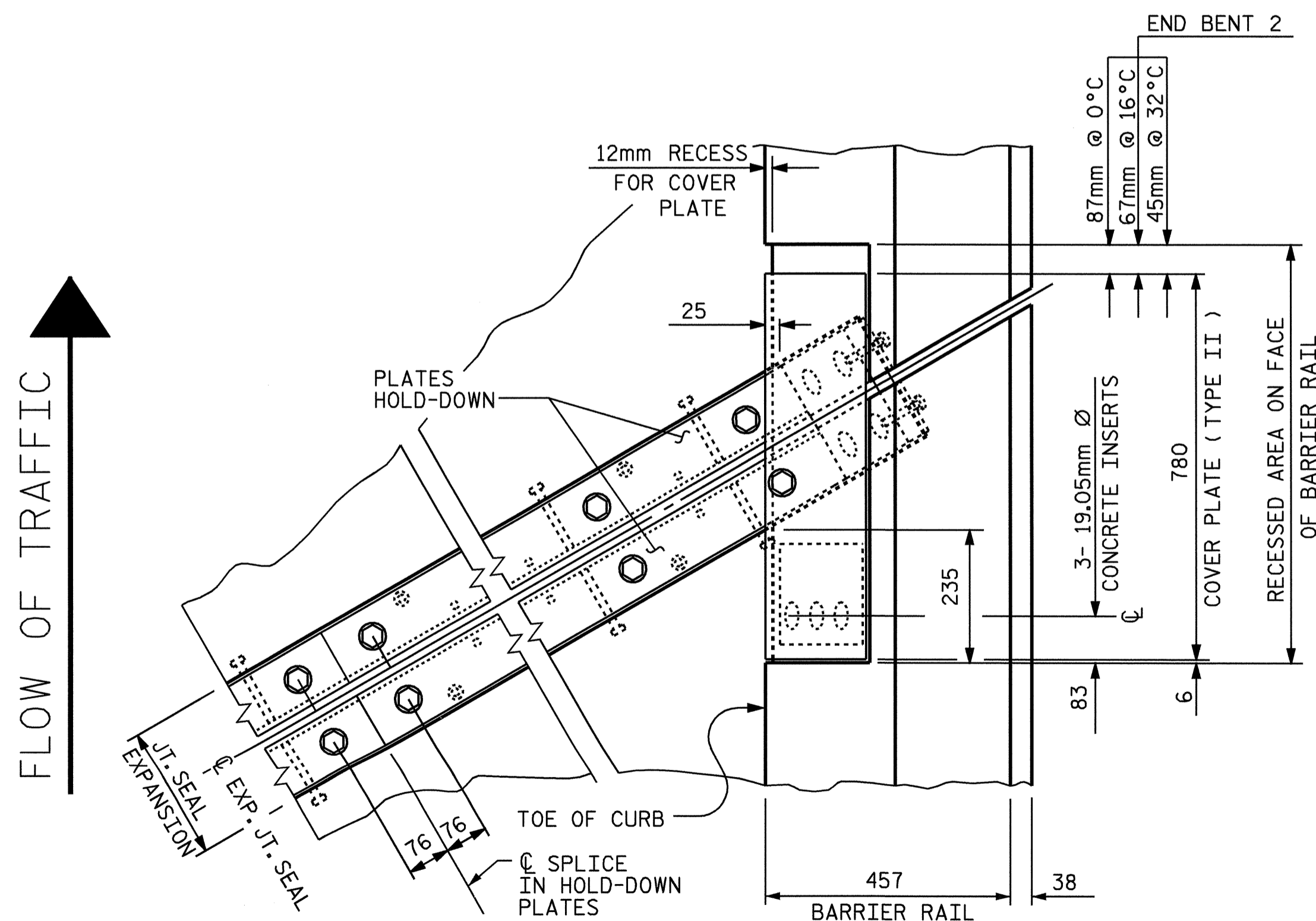
CONCRETE INSERT

* EACH WELDED ATTACHMENT OF WIRE TO FERRULE SHALL DEVELOP THE TENSILE STRENGTH OF THE WIRE

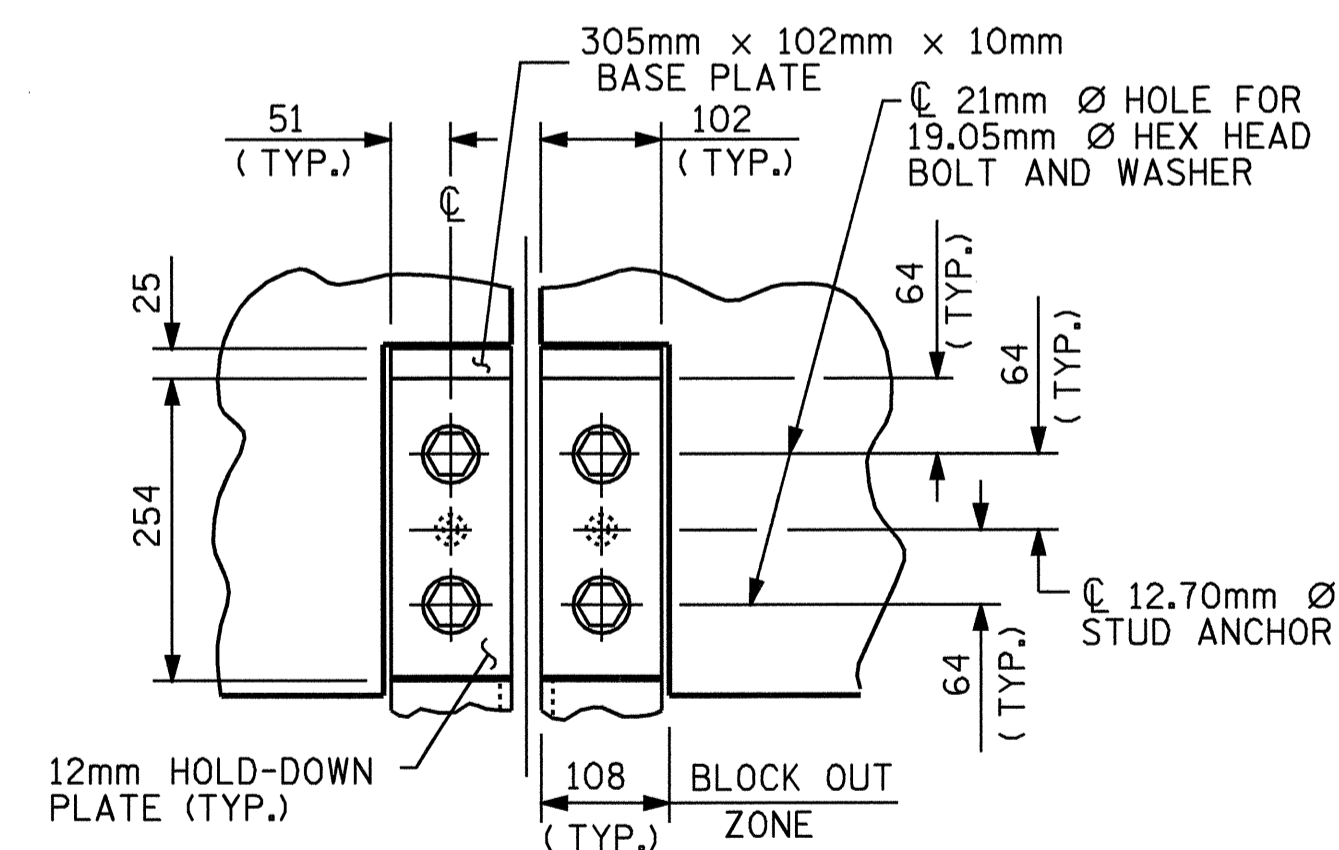


BLOCK OUT DETAIL

SEE "SECTION A - A" FOR OTHER DETAILS.



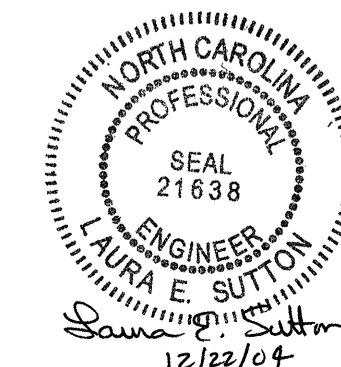
PLAN OF EXPANSION JOINT SEAL - RIGHT SIDE



SECTION A - A

PROJECT NO. R-0977A
CHEROKEE COUNTY
 STATION: 41+19.524-LREV-

SHEET 3 OF 3



STATE OF NORTH CAROLINA
 DEPARTMENT OF TRANSPORTATION
 RALEIGH
**STANDARD
 EXPANSION JOINT
 SEAL DETAILS
 FOR BARRIER RAIL**

REVISIONS						SHEET NO.	
NO.	BY:	DATE:	NO.	BY:	DATE:	S-153	
1			3			TOTAL SHEETS	
2			4			230	

STR. #4

STD. NO. EJS2SM

ASSEMBLED BY : B.N.BARODAWALA	DATE : 11-17-04
CHECKED BY : MIKE ALLEN	DATE : 11-04
DRAWN BY : REK	9/87
CHECKED BY : CRK	10/87
REV. 5/16/97	EEM/RGW
REV. 7/17/98	RWW/LES
REV. 10/17/00	RWW/LES