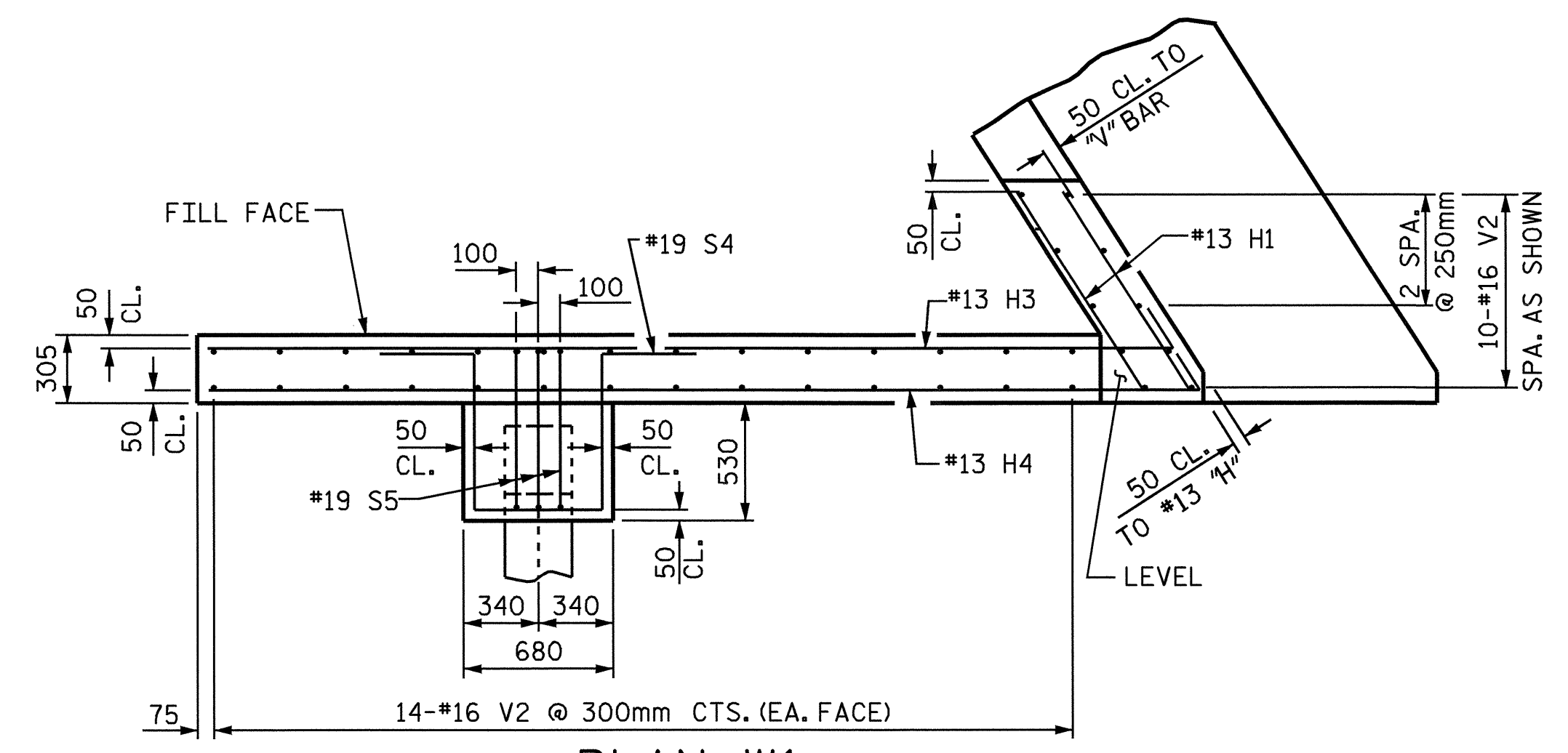
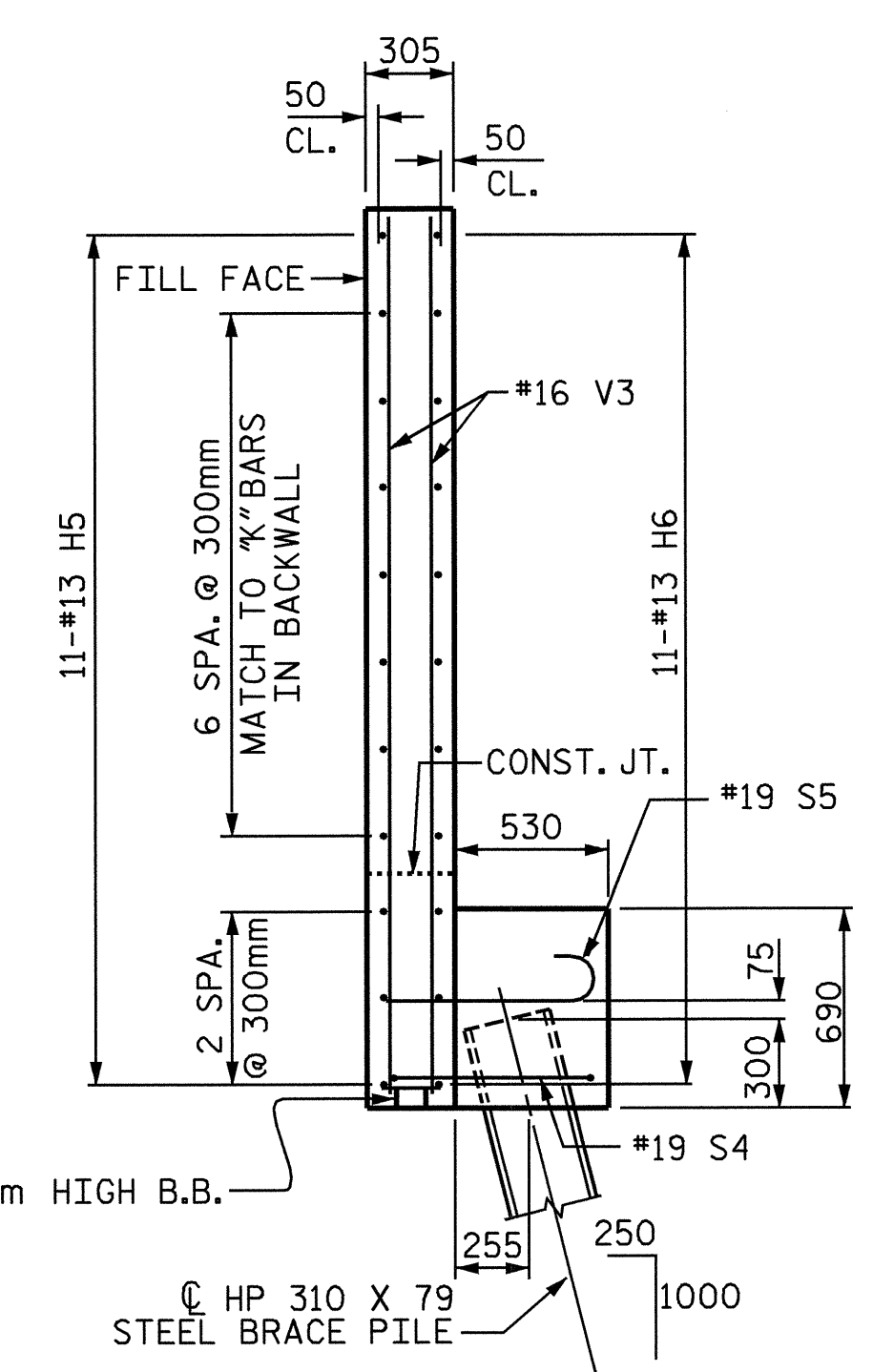


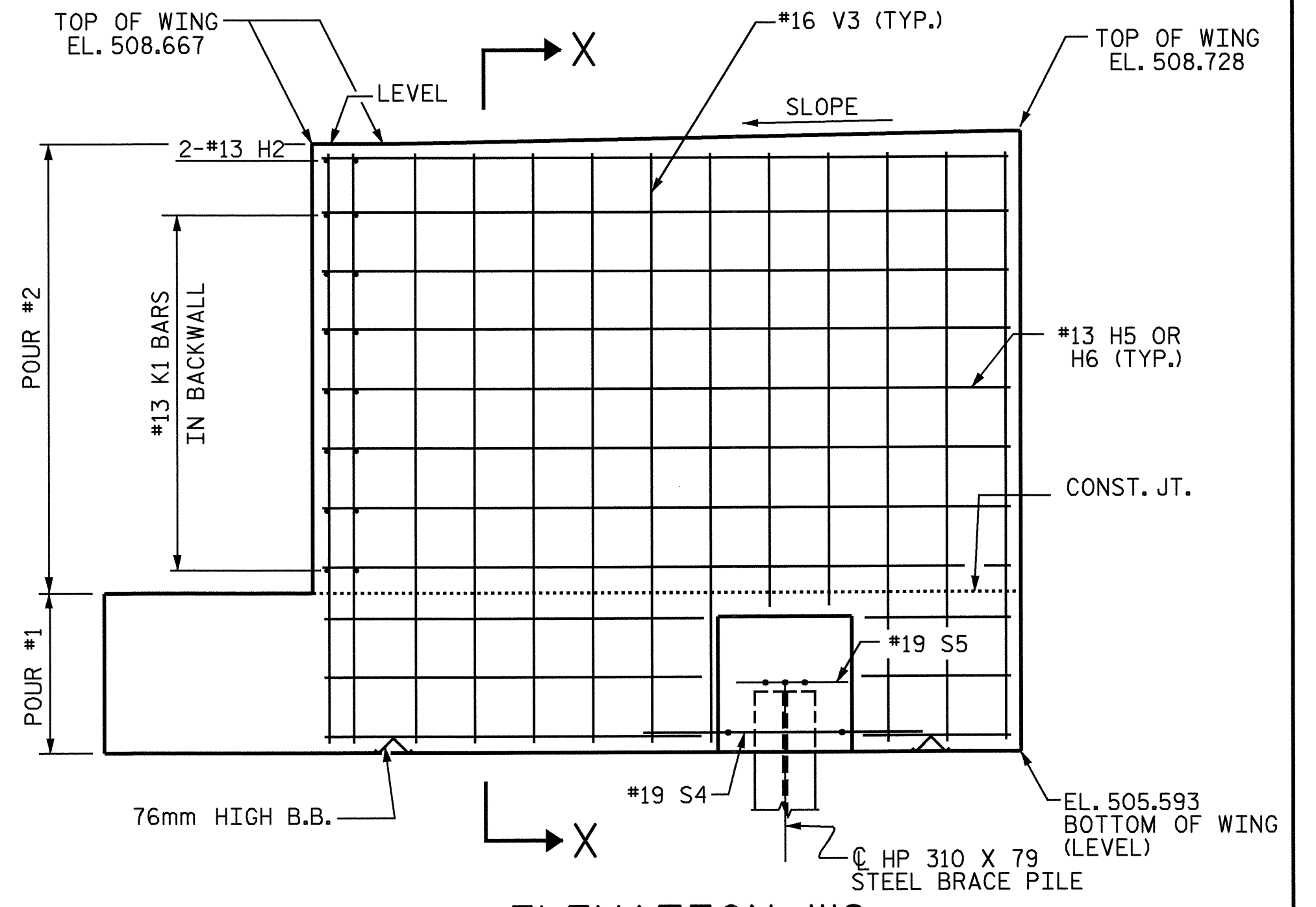
PLAN W2



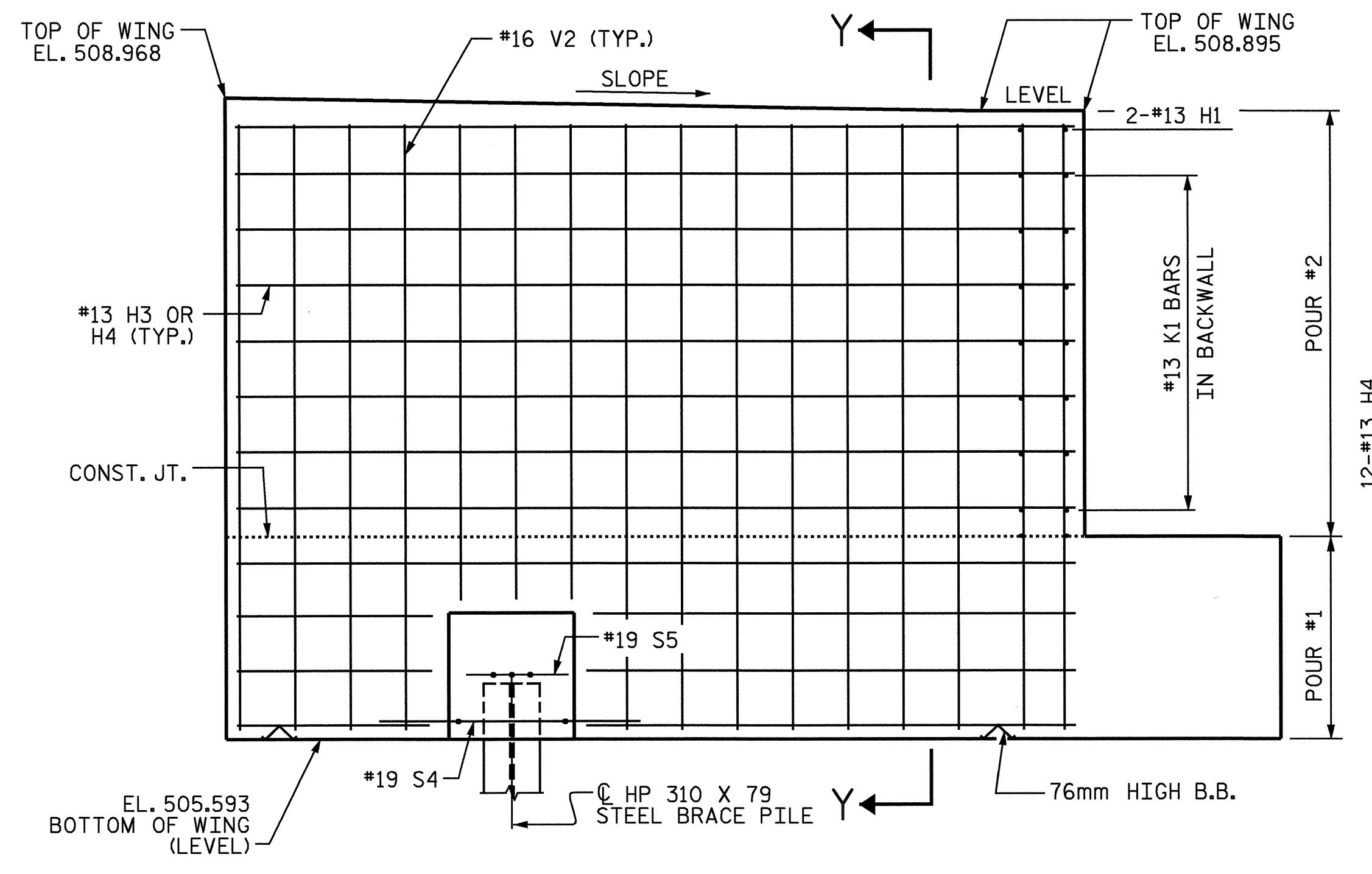
PLAN W1



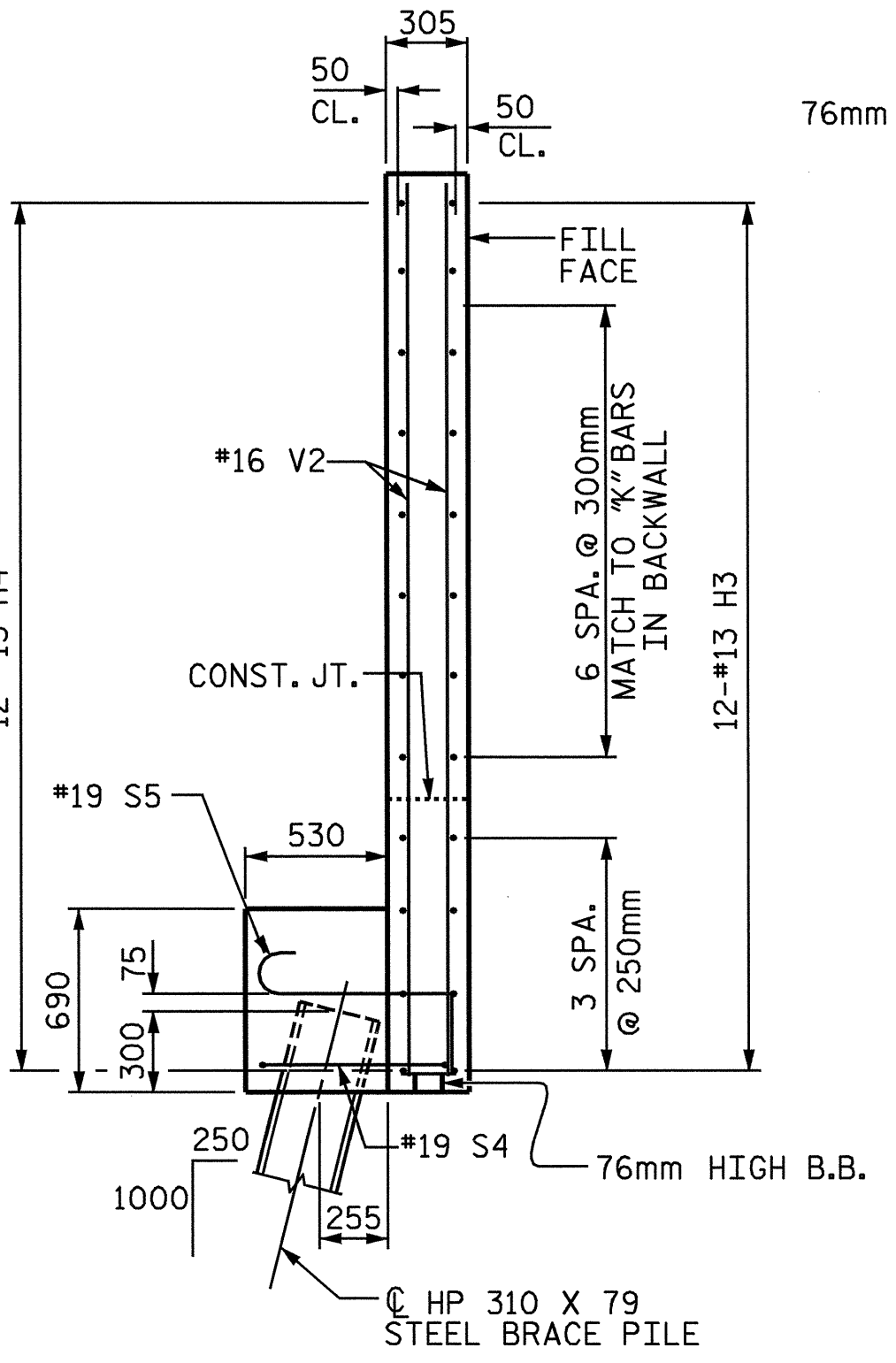
SECTION X-X



ELEVATION W2



ELEVATION W1



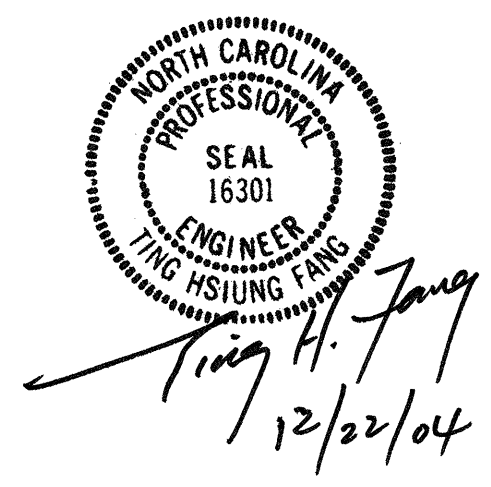
SECTION Y-Y

PROJECT NO. R-0977A
 CHEROKEE COUNTY
 STATION: 41+19.524-LREV-

SHEET 2 OF 3

STATE OF NORTH CAROLINA
 DEPARTMENT OF TRANSPORTATION
 RALEIGH

SUBSTRUCTURE
 END BENT 2



REVISIONS						SHEET NO.
NO.	BY:	DATE:	NO.	BY:	DATE:	S-163
1			3			TOTAL SHEETS
2			4			230

DRAWN BY: THF/A.S. CALLAWAY DATE: 10/26/04
 CHECKED BY: J.P. ADAMS DATE: 11/5/04

21-DEC-2004 07:22
 W:\SquadL\0977a\str4\scallaway\R0977A-sd.E*_04.dgn
 Isuttion

STR. #4