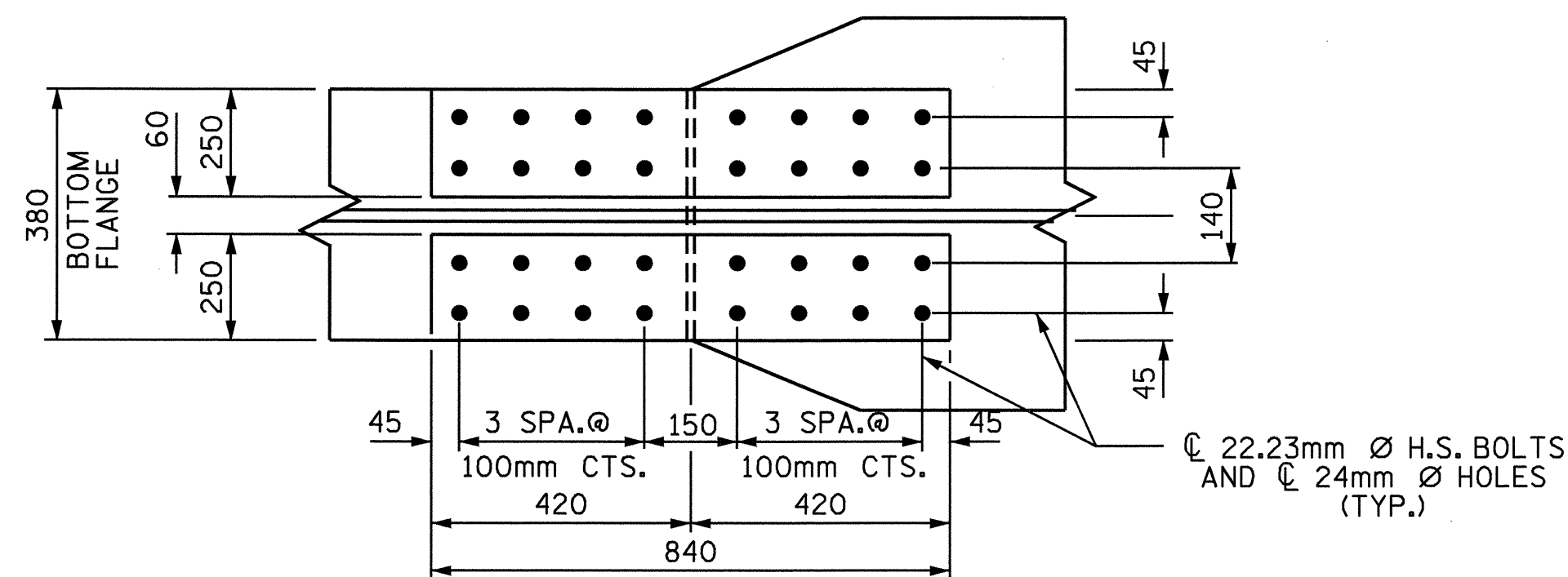


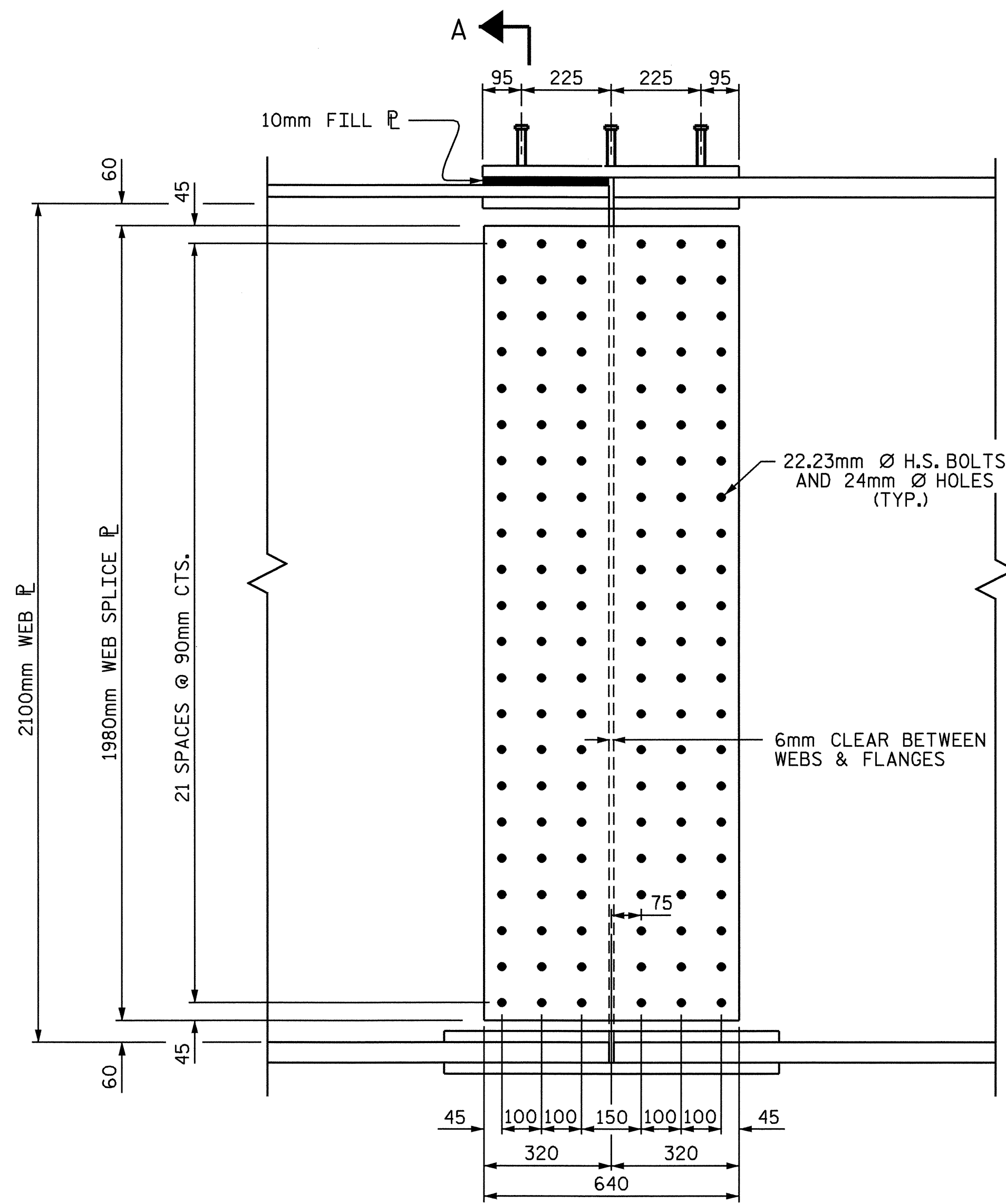
PLAN (TOP OF TOP FLANGE)



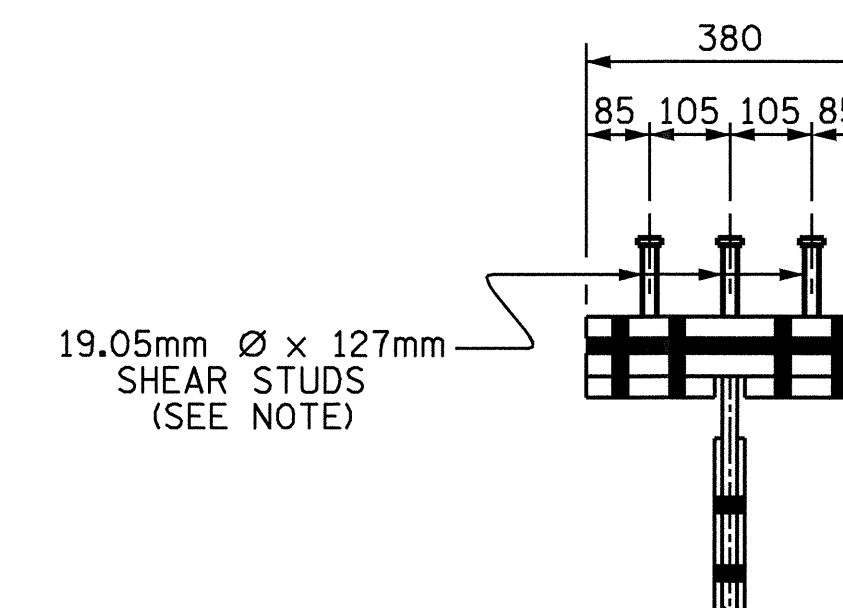
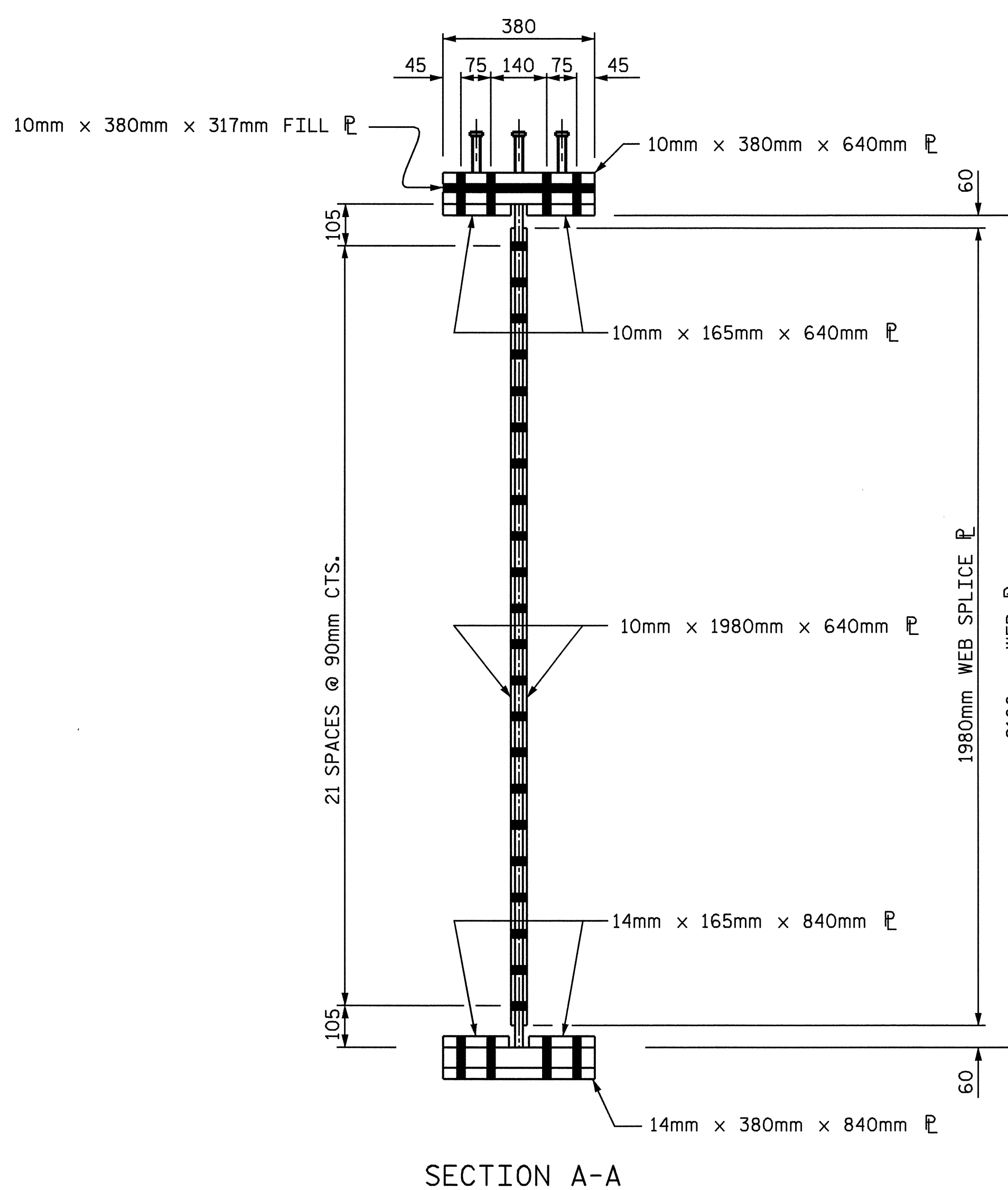
PLAN (TOP OF BOTTOM FLANGE)

DESCRIPTION	SIZE	NO. REQ'D. FOR ONE FIELD SPLICE	TOTAL REQ'D.
WEB SPLICE PLATE	10 x 640 x 1980	2	40
OUTER SPLICE PLATE TOP FLANGE W/SHEAR STUDS	10 x 380 x 640	1	20
INNER SPLICE PLATE TOP FLANGE	10 x 165 x 640	2	40
FILL PLATE TOP FLANGE	10 x 380 x 317	1	20
INNER SPLICE PLATE BOTTOM FLANGE	14 x 165 x 840	2	40
OUTER SPLICE PLATE BOTTOM FLANGE	14 x 380 x 840	1	20
FILL PLATE BOTTOM FLANGE (SPAN D ONLY)	10 x 380 x 417	1	4

NOTE: 24mm Ø HOLES FOR 22.23mm Ø BOLTS.



BOLTED FIELD SPLICE DETAILS (TYPE BFS2)

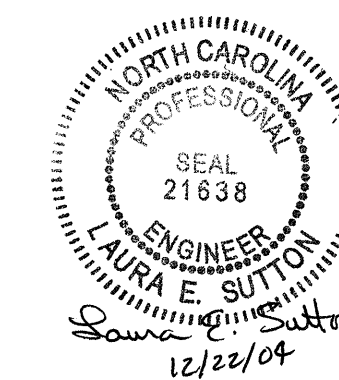


SHEAR STUD DETAIL FOR TOP FLANGE SPLICE PLATE

NOTE: SHEAR STUDS ARE TO BE SHOP WELDED ON TOP OF PLATE BEFORE FIELD ASSEMBLY.

PROJECT NO. R-0977A
 CHEROKEE COUNTY
 STATION: 68+58.000-LREV-

SHEET 6 OF 6



STATE OF NORTH CAROLINA DEPARTMENT OF TRANSPORTATION RALEIGH					
SUPERSTRUCTURE STRUCTURAL STEEL DETAILS					
REVISIONS					SHEET NO.
NO.	BY:	DATE:	NO.	BY:	DATE:
1			3		
2			4		
					S-193
					TOTAL SHEETS 250

DRAWN BY: B.N.BARODAWALA DATE: 11-22-04
 CHECKED BY: MIKE ALLEN DATE: 12-04

21-DEC-2004 15:18
 W:\Squad\l-r0977a\str5\bbarodawala\R0977A.sd.ss_05.dgn
 lsutton

STR.#5