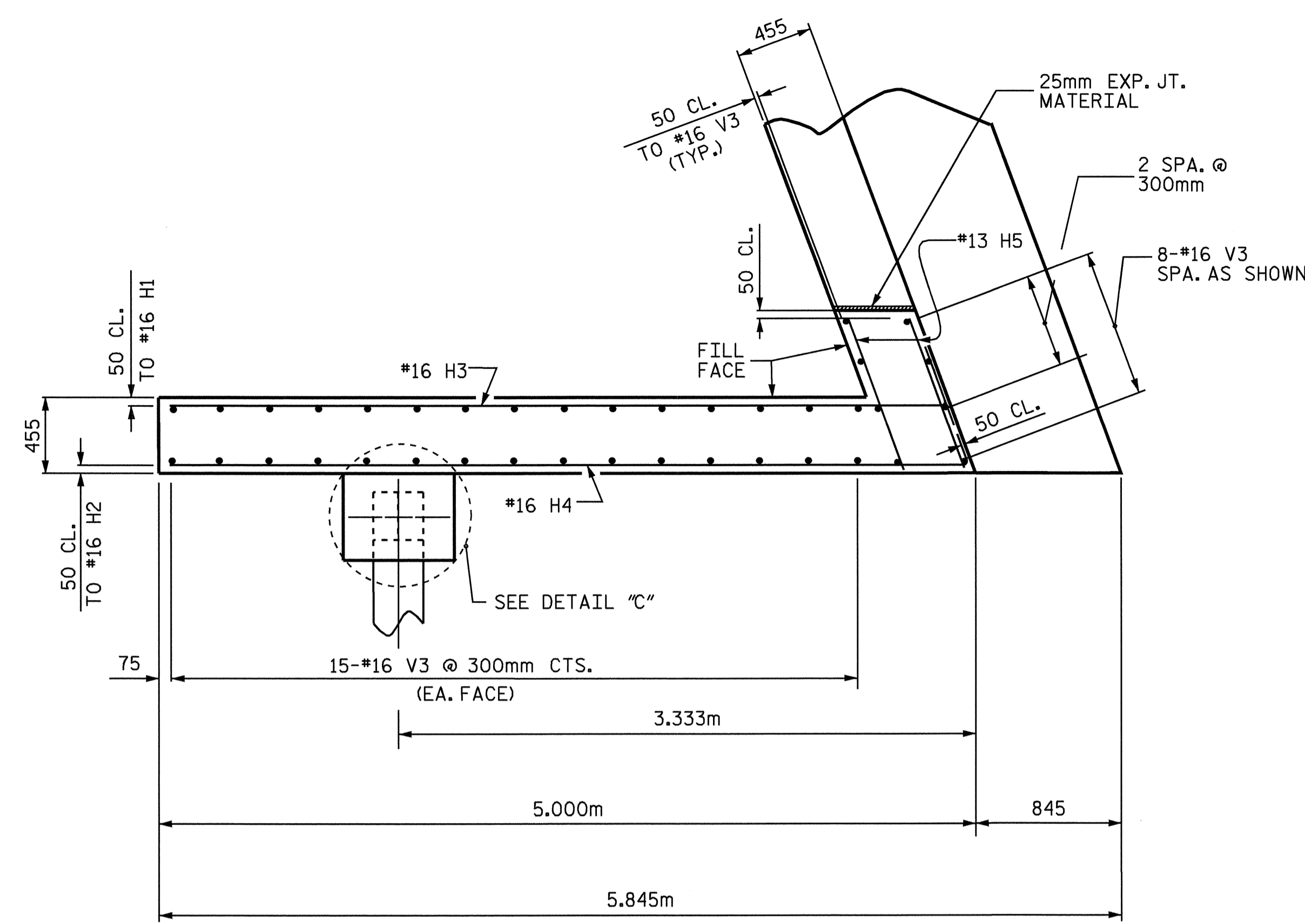
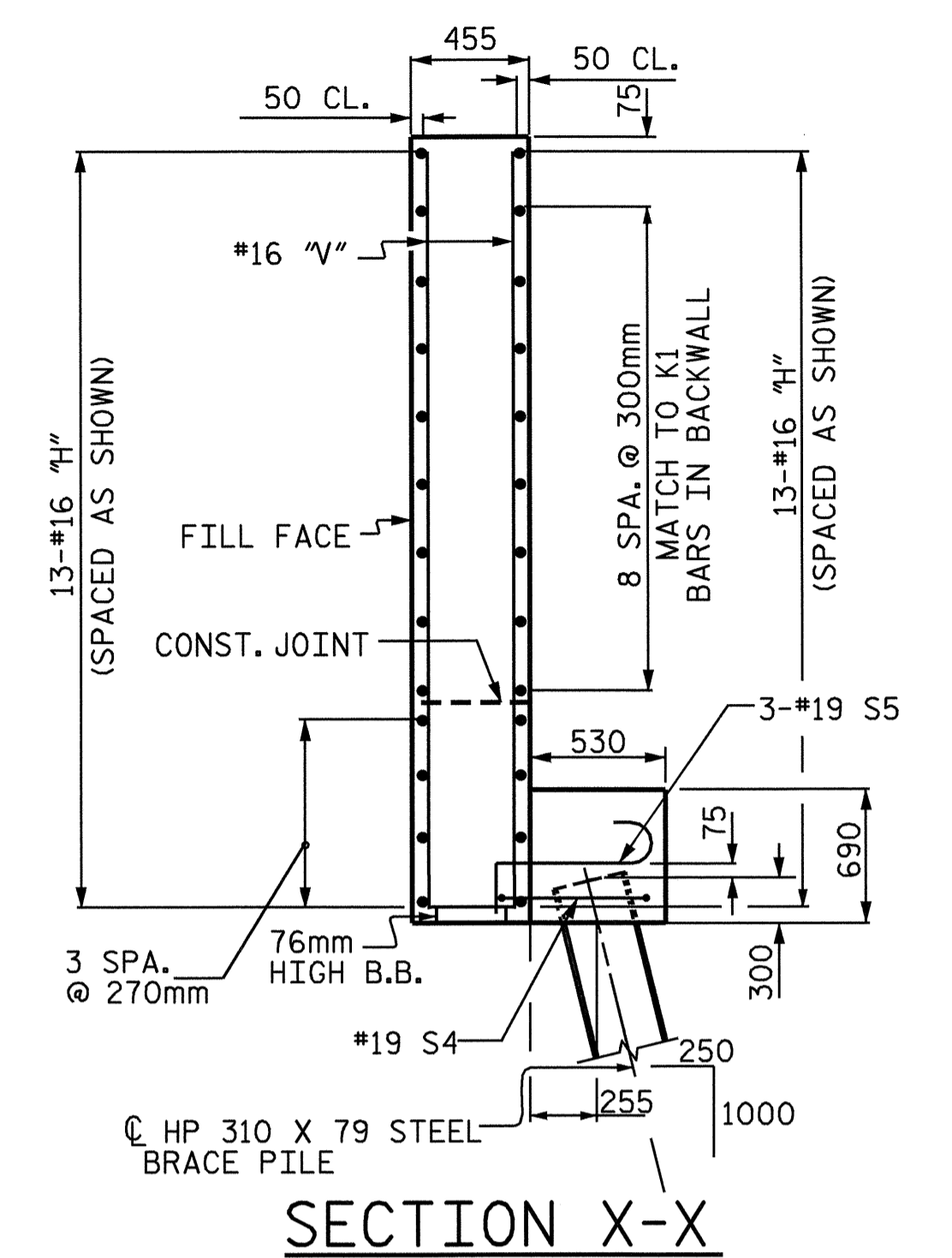


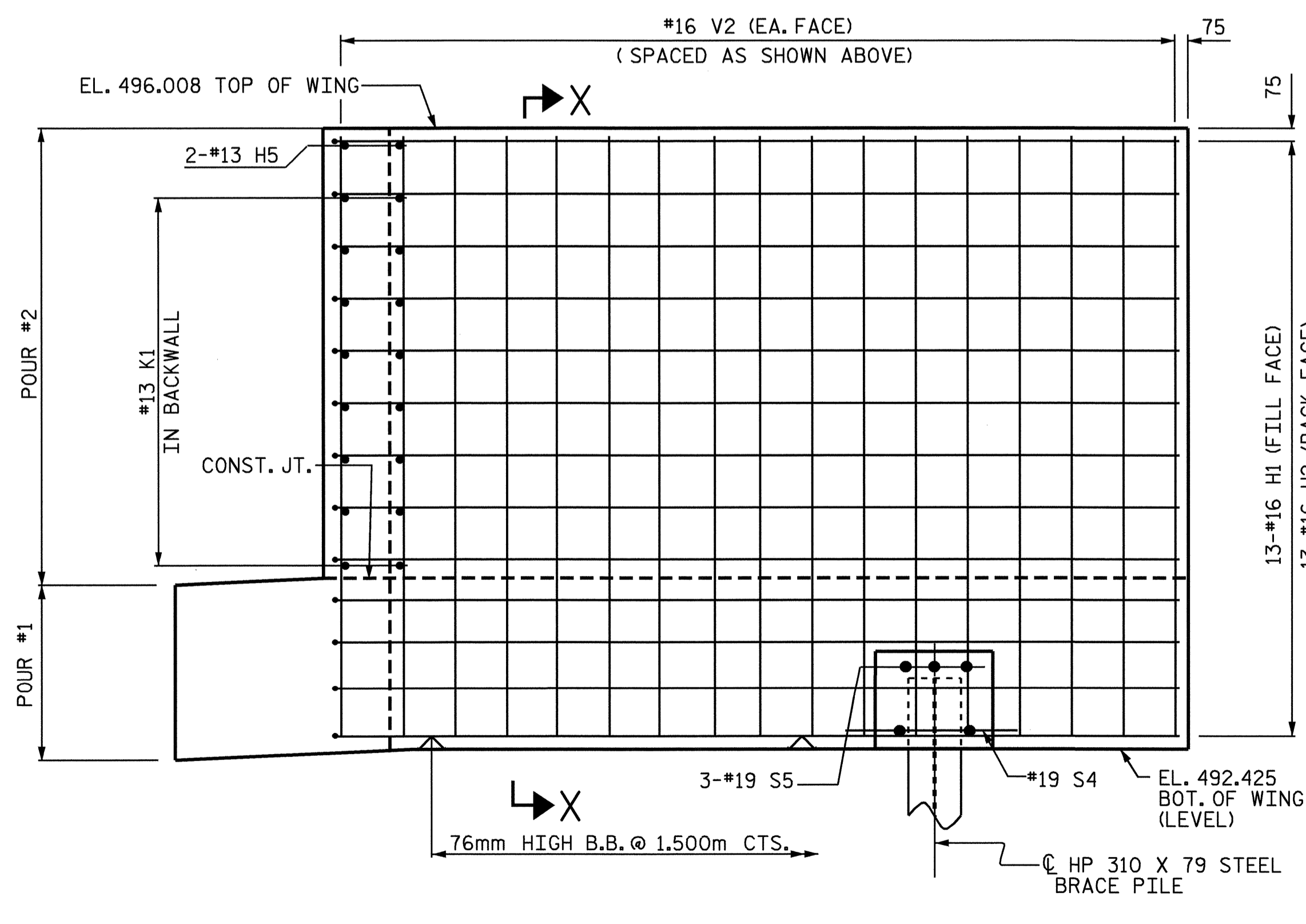
PLAN OF WING W1



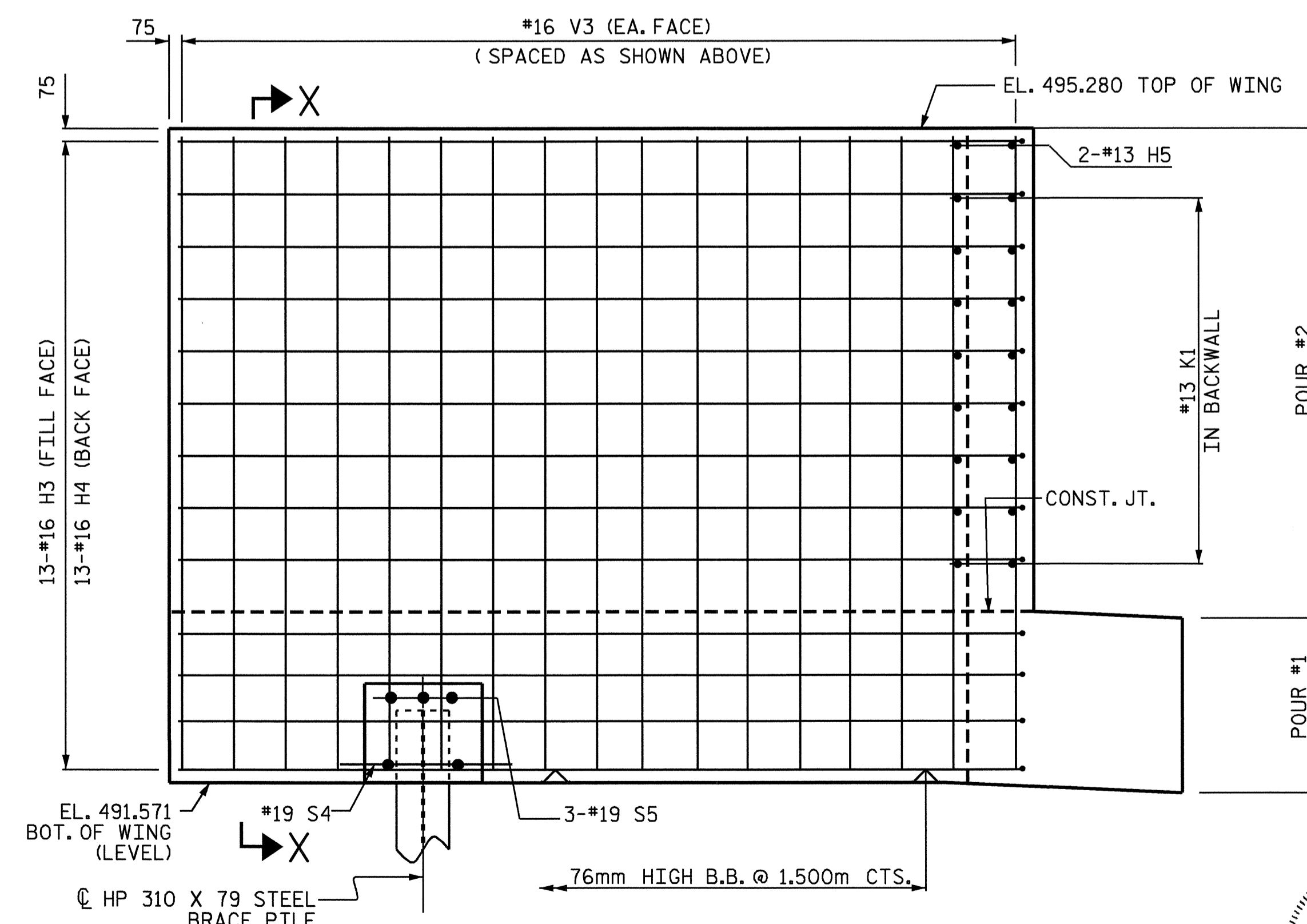
PLAN OF WING W2



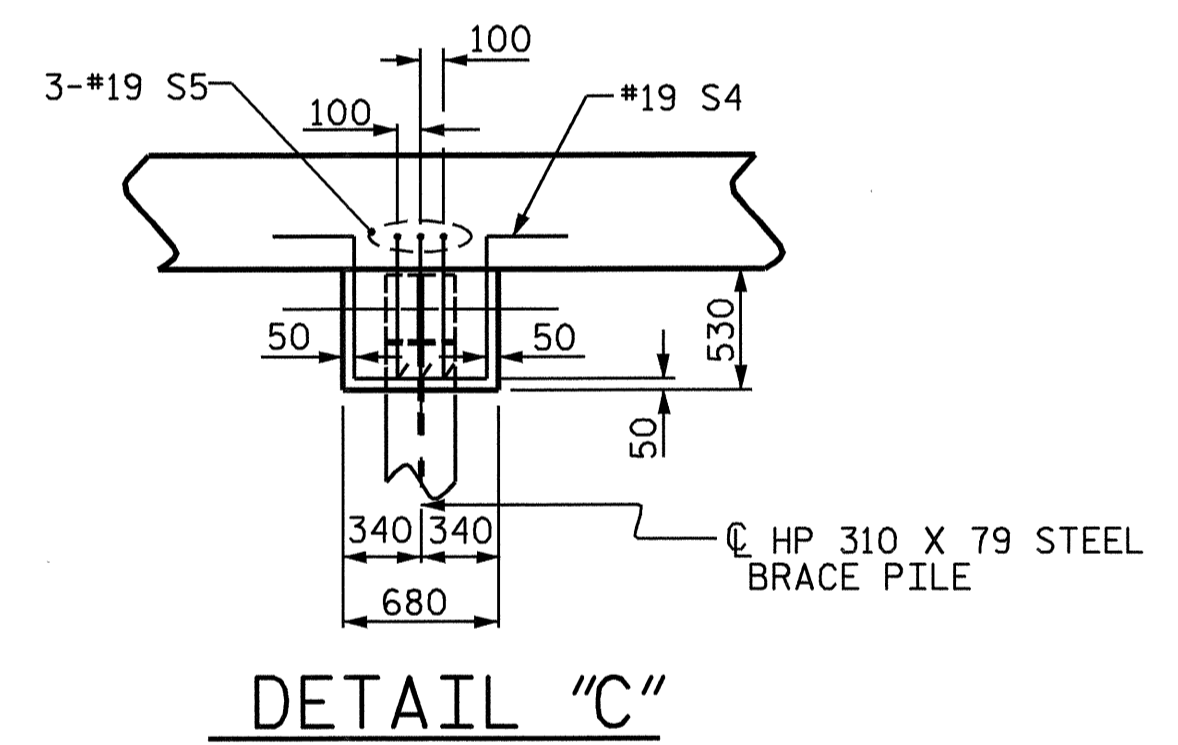
SECTION X-X



ELEVATION OF WING W1



ELEVATION OF WING W2



DETAIL "C"

PROJECT NO. R-0977A
 CHEROKEE COUNTY
 STATION: 68+58.000-LREV-

SHEET 2 OF 3

STATE OF NORTH CAROLINA
 DEPARTMENT OF TRANSPORTATION
 RALEIGH

SUBSTRUCTURE
 END BENT 1



DRAWN BY: W.K. FISCHER DATE: 7/20/04
 CHECKED BY: M.M. PARSONS DATE: 11/04

22-DEC-2004 10:54
 W:\SquadL\0977a\str5\wkfisher\R0977A.sd.E*_05.dgn
 lsutton

REVISIONS					SHEET NO.
NO.	BY:	DATE:	NO.	BY:	DATE:
1			3		
2			4		

S-210
 TOTAL SHEETS
 230