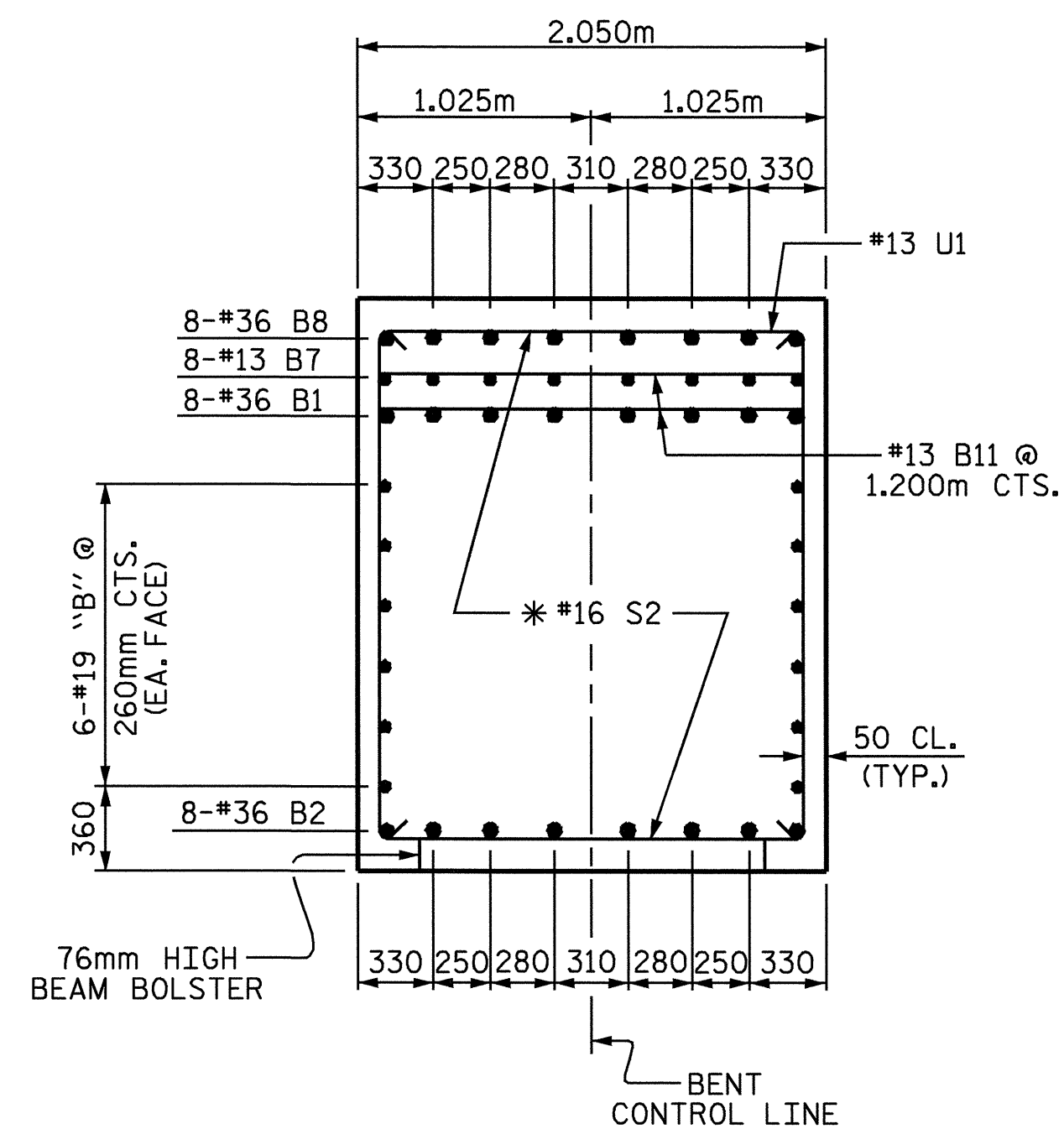
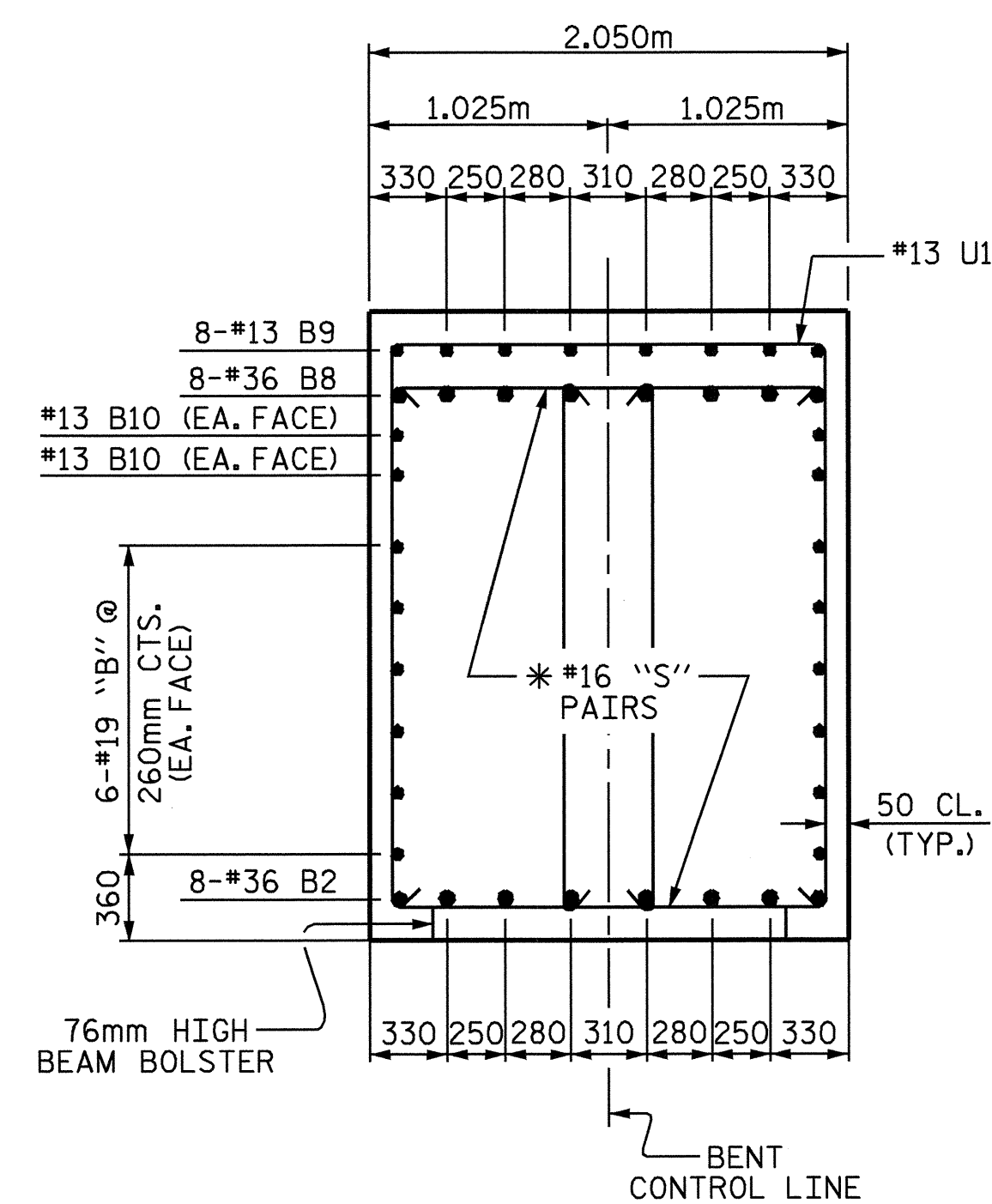


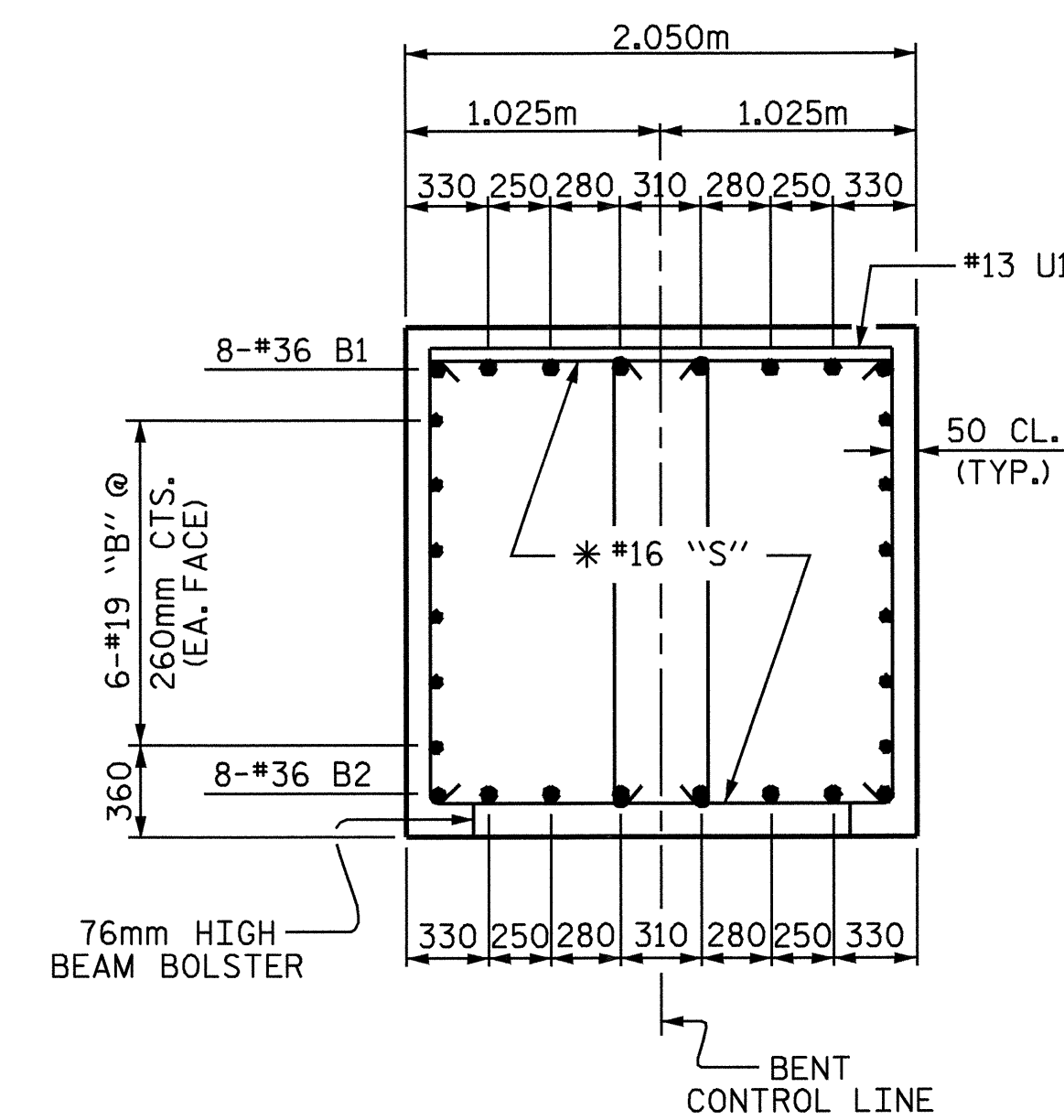
SECTION A-A
* INVERT ALTERNATE STIRRUPS



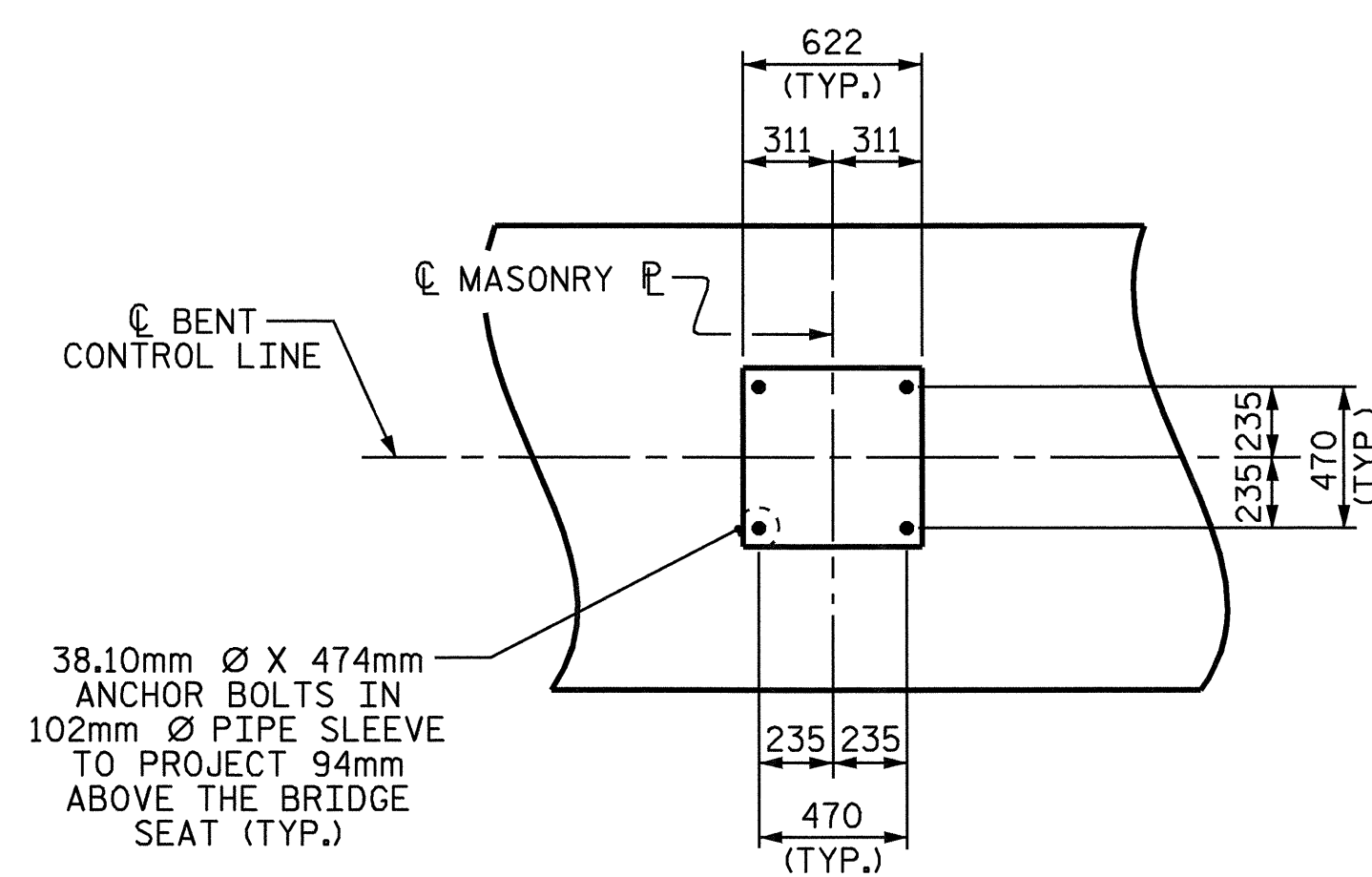
SECTION B-B
* INVERT ALTERNATE STIRRUPS



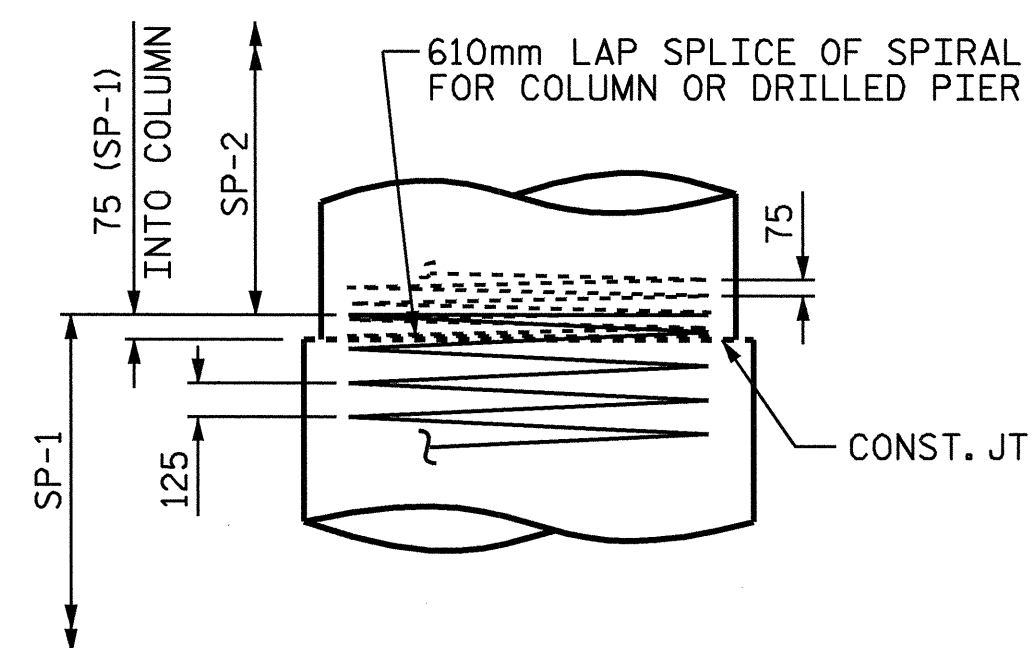
SECTION C-C
* INVERT ALTERNATE STIRRUPS



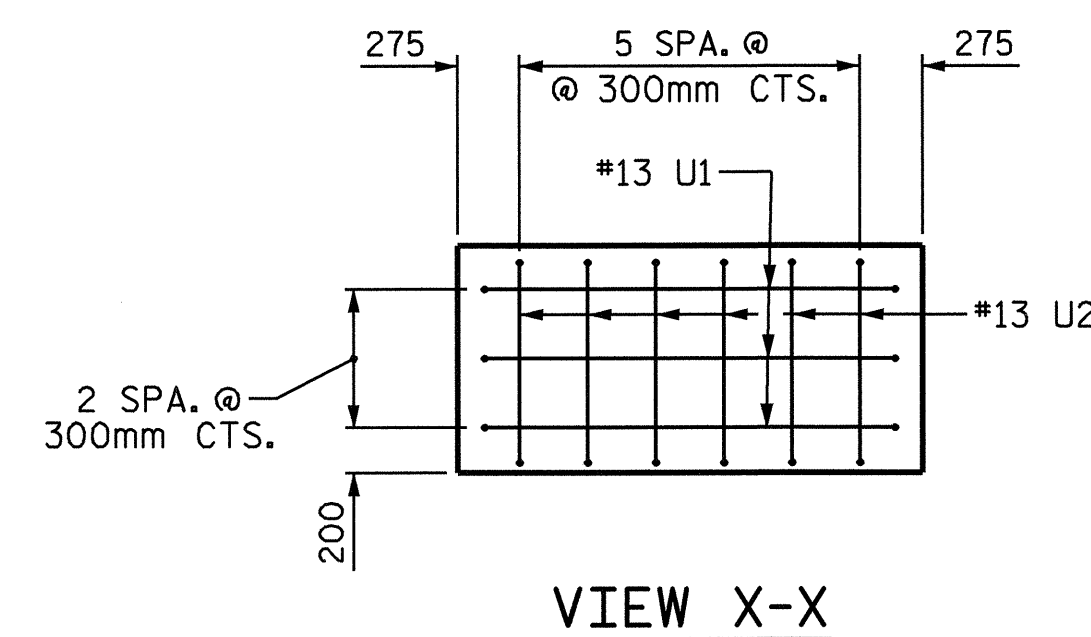
SECTION D-D
* INVERT ALTERNATE STIRRUPS



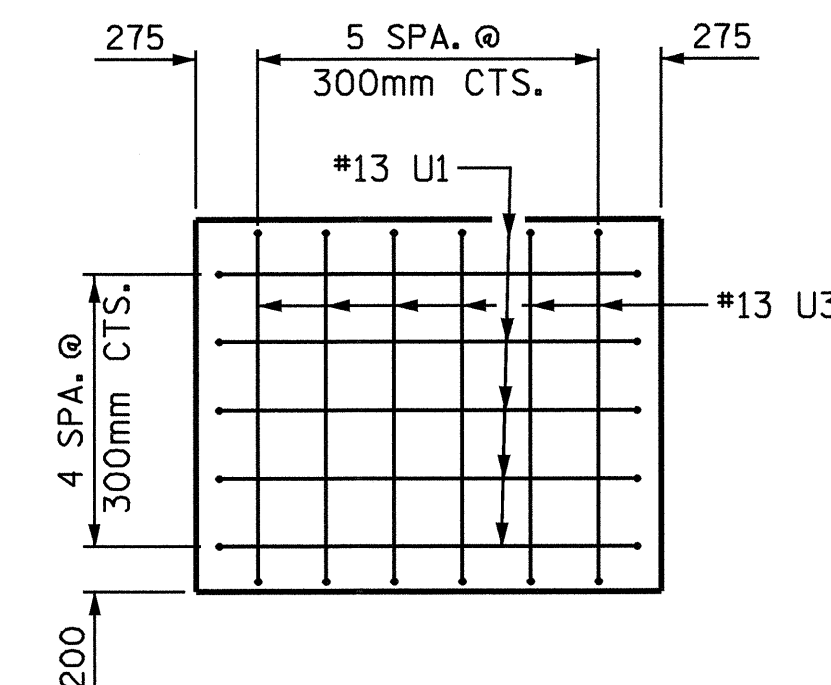
DETAIL "A"



DETAIL "B"



VIEW X-X



VIEW Y-Y

PROJECT NO. R-0977A
CHEROKEE COUNTY
 STATION: 68+58.000-LREV-

SHEET 2 OF 3

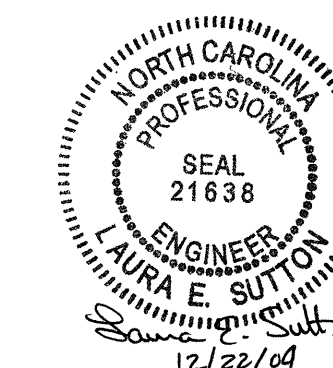
STATE OF NORTH CAROLINA
 DEPARTMENT OF TRANSPORTATION
 RALEIGH

SUBSTRUCTURE

BENT 1

DRAWN BY: M.K. BEARD DATE: 10/20/04
 CHECKED BY: L.E. SUTTON DATE: 12/19/04

22-DEC-2004 10:54
 W:\Squad\l-r\0977a\str5\kbeard\R0977A.sd.B*.05.dgn
 lsutton



REVISIONS						SHEET NO.
NO.	BY:	DATE:	NO.	BY:	DATE:	S-213
1			3			TOTAL SHEETS
2			4			230