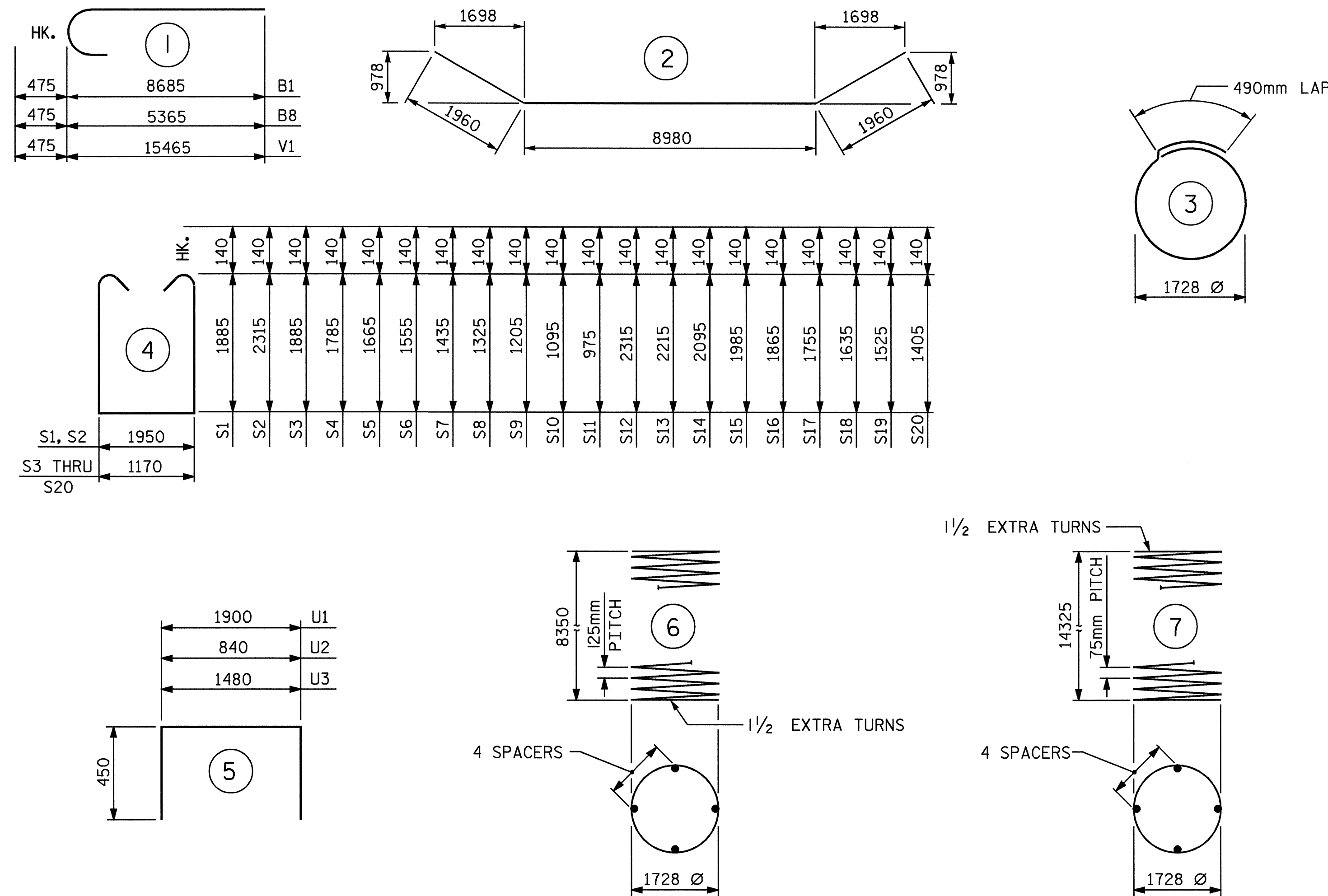


BAR TYPES



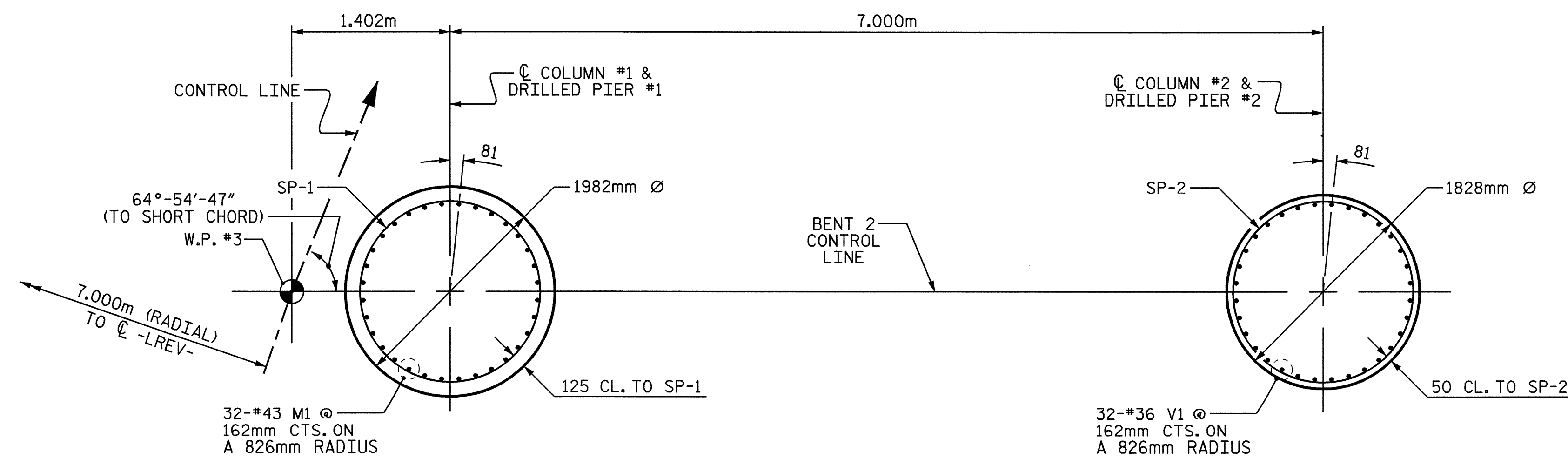
ALL BAR DIMENSIONS ARE OUT TO OUT.

BILL OF MATERIAL

BENT 2

BAR NO.	NO.	SIZE	TYPE	LENGTH	WEIGHT	BAR NO.	NO.	SIZE	TYPE	LENGTH	WEIGHT
B1	8	#36	1	9160	579	U1	49	#13	5	2800	136
B2	8	#36	2	12900	816	U2	6	#13	5	1740	10
B3	6	#19	STR	12400	166	U3	6	#13	5	2380	14
B4	2	#19	STR	11880	53						
B5	2	#19	STR	10980	49	V1	64	#36	1	15940	8066
B6	2	#19	STR	10060	45						
B7	8	#13	STR	9040	72	REINFORCING STEEL					kg 19628
B8	8	#36	3	5840	369	SPIRAL COLUMN					
B9	8	#13	STR	1740	14	REINFORCING STEEL					
B10	4	#13	STR	4200	17	SP-1	2	**	6	368,340	1143
B11	4	#13	STR	1940	8	SP-2	2	**	7	1,035,520	3214
						SPIRAL COLUMN					
M1	64	#43	STR	11620	8463	REINFORCING STEEL					kg 4357
CLASS A CONCRETE BREAKDOWN											
S1	15	#16	4	6000	140	POUR #2 (COLUMNS)					C.M. 74.8
S2	10	#16	4	6860	106	POUR #3 (CAP)					C.M. 54.9
S3	2	#16	4	5220	16						
S4	2	#16	4	5020	16						
S5	2	#16	4	4780	15	TOTAL CLASS A CONCRETE					C.M. 129.7
S6	2	#16	4	4560	14						
S7	2	#16	4	4320	13	DRILLED PIER CONCRETE BREAKDOWN					
S8	2	#16	4	4100	13	POUR #1 (DRILLED PIERS)					C.M. 52.5
S9	2	#16	4	3860	12						
S10	2	#16	4	3640	11	1982mm Ø DRILLED PIERS NOT IN SOIL					
S11	2	#16	4	3400	11						METERS 4.0
S12	2	#16	4	6080	19						
S13	2	#16	4	5880	18	1982mm Ø DRILLED PIERS IN SOIL					
S14	2	#16	4	5640	18						METERS 13.0
S15	2	#16	4	5420	17						
S16	2	#16	4	5180	16	SPT TESTING					EA. 2
S17	2	#16	4	4960	15						
S18	2	#16	4	4720	15	SID INSPECTION					EA. 1
S19	2	#16	4	4500	14						
S20	2	#16	4	4260	13	CROSSHOLE SONIC LOGGING					EA. 1
S21	26	#16	3	5920	239	CSL TUBES					METERS 111.0

** THE "SP" SPIRAL REINFORCING STEEL SHALL BE W31 OR D-31 COLD DRAWN WIRE OR #16 PLAIN OR DEFORMED BAR.



PLAN OF DRILLED PIER
REINFORCING STEEL & DIMENSIONS
ARE TYPICAL FOR ALL DRILLED PIERS

PLAN OF COLUMN
REINFORCING STEEL & DIMENSIONS
ARE TYPICAL FOR ALL DRILLED PIERS

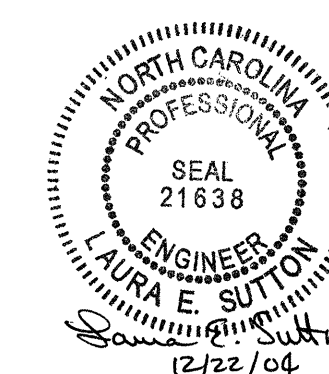
PLAN OF COLUMNS AND DRILLED PIERS

PROJECT NO. R-0977A
CHEROKEE COUNTY
STATION: 68+58.000-LREV-

SHEET 3 OF 3

STATE OF NORTH CAROLINA
DEPARTMENT OF TRANSPORTATION
RALEIGH

SUBSTRUCTURE
BENT 2



REVISIONS						SHEET NO.	
NO.	BY:	DATE:	NO.	BY:	DATE:	S-217	
1			3			TOTAL SHEETS	
2			4			230	

DRAWN BY : M.K. BEARD DATE : 10/21/04
CHECKED BY : L.E. SUTTON DATE : 12/19/04

22-DEC-2004 10:53
W:\Squad\0977a\str5\kbeard\0977A_sd.B*_05.dgn
lsutton

STR. #5