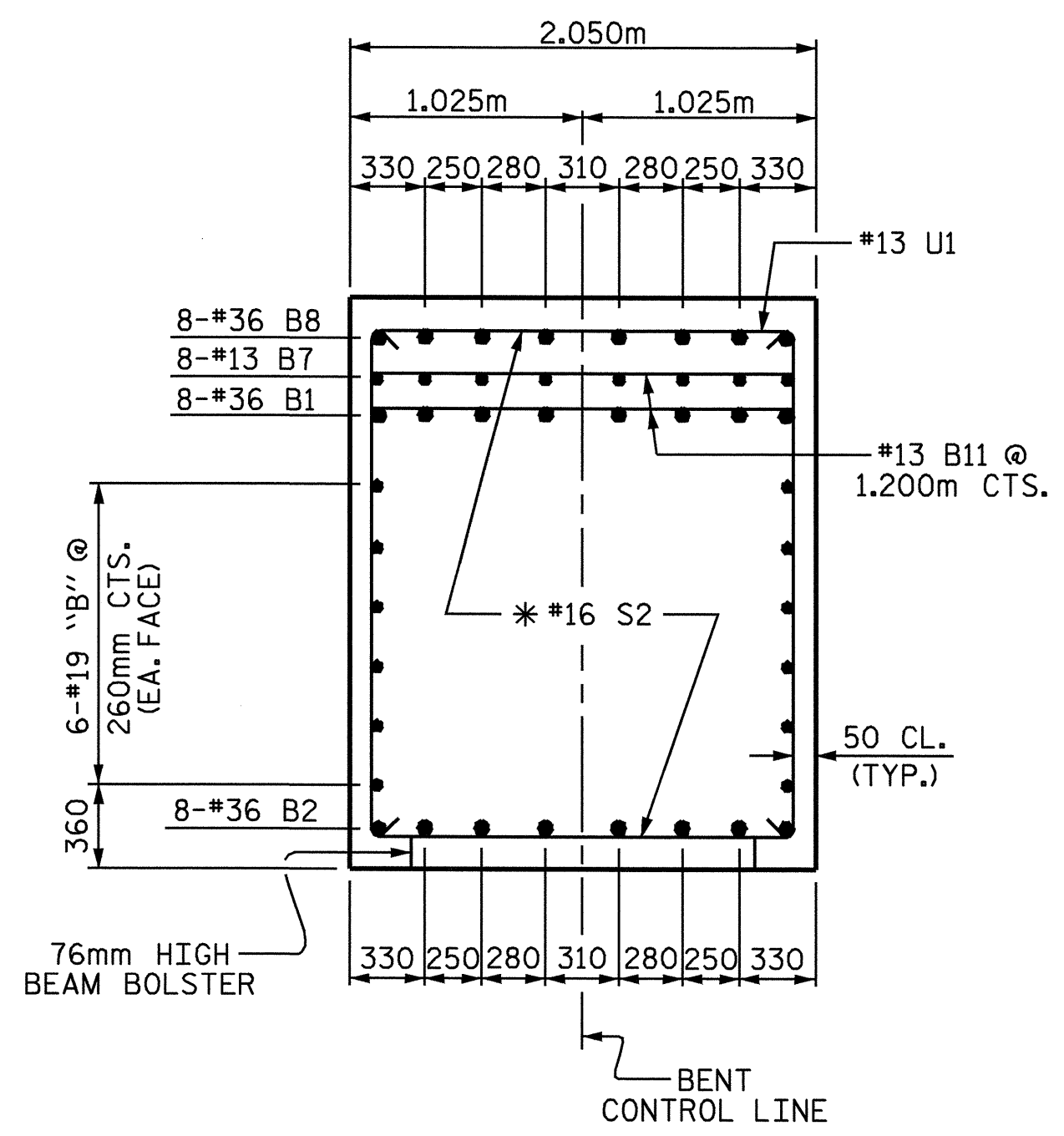
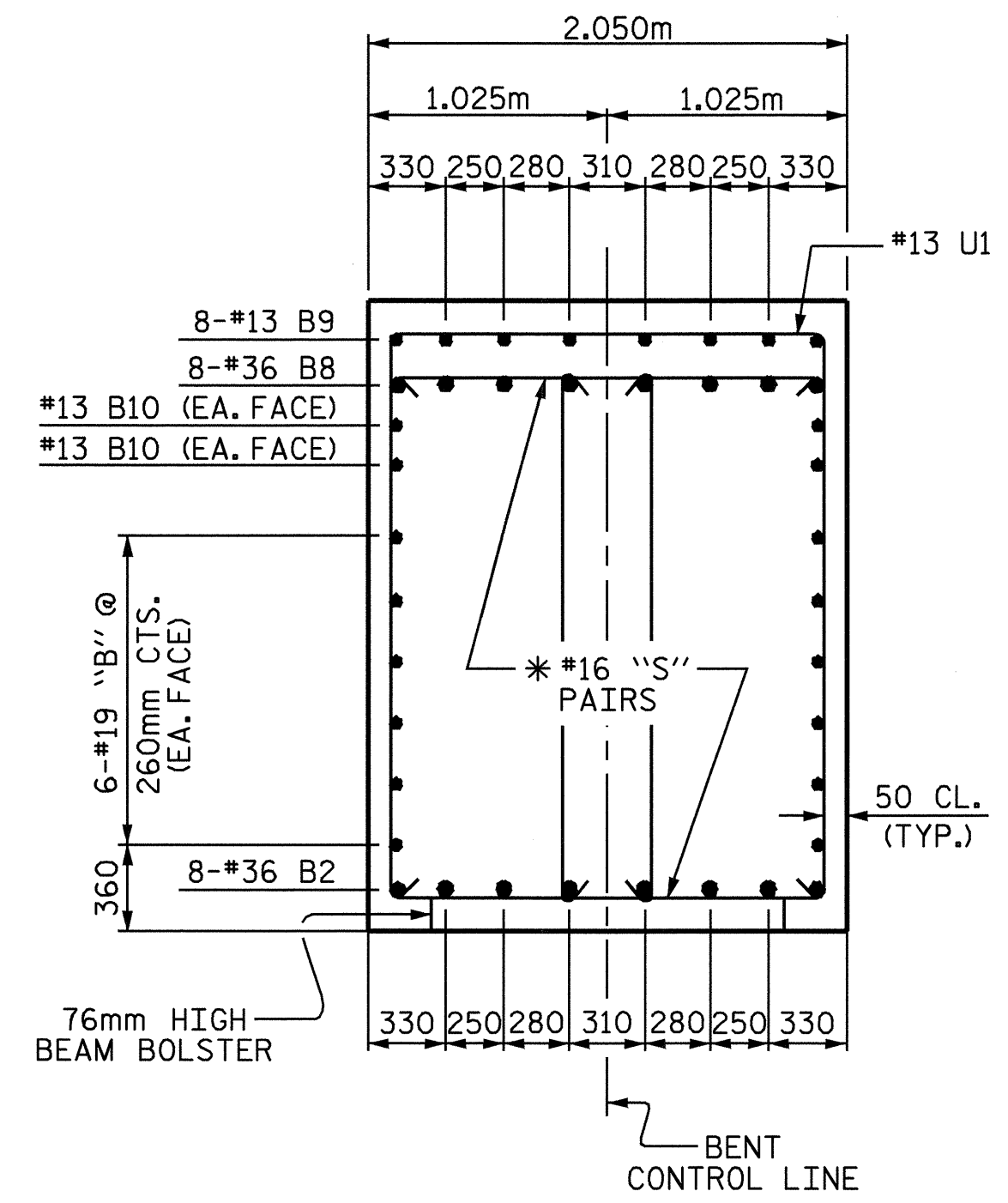


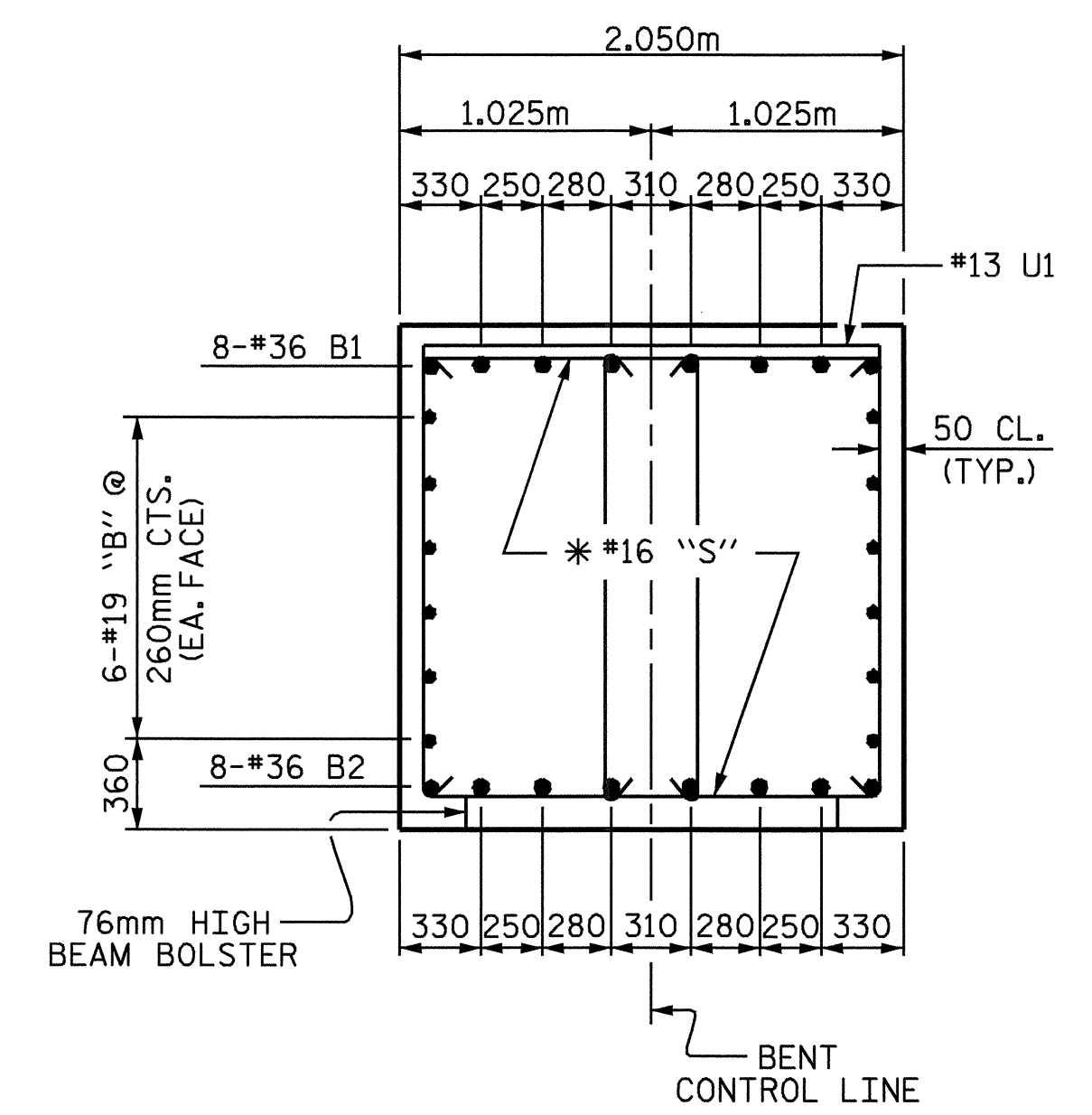
**SECTION A-A**  
\* INVERT ALTERNATE STIRRUPS



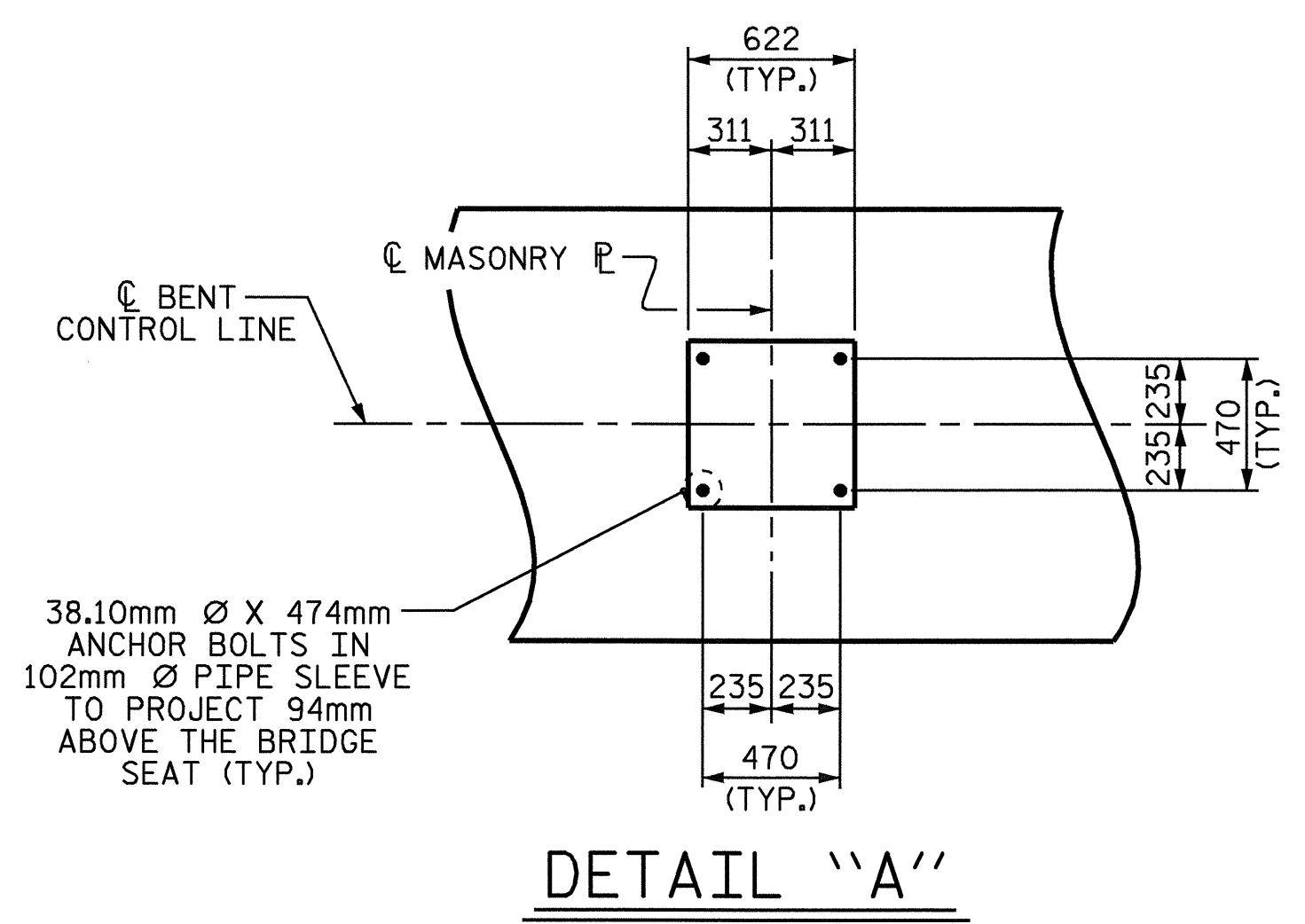
**SECTION B-B**  
\* INVERT ALTERNATE STIRRUPS



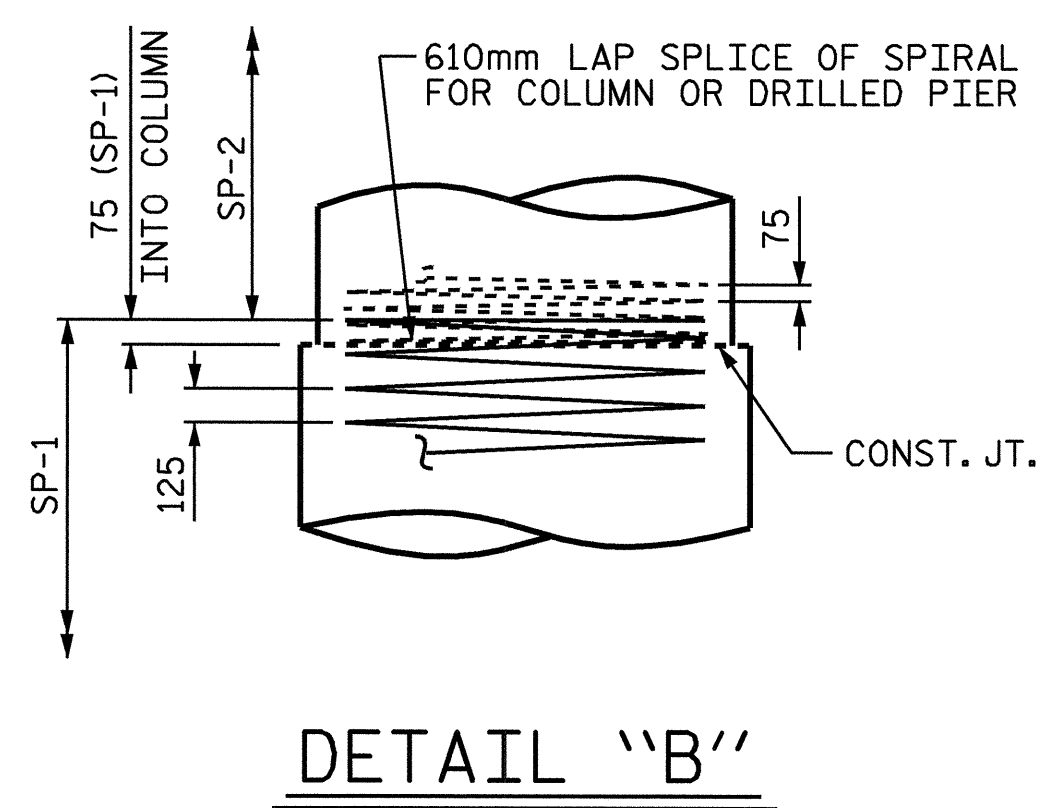
**SECTION C-C**  
\* INVERT ALTERNATE STIRRUPS



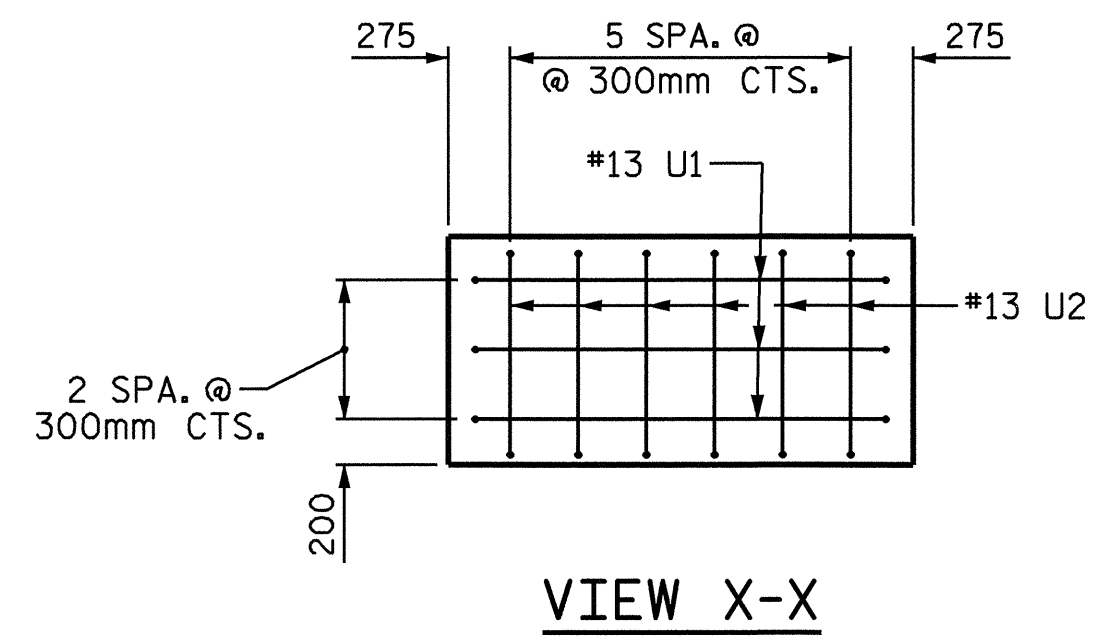
**SECTION D-D**  
\* INVERT ALTERNATE STIRRUPS



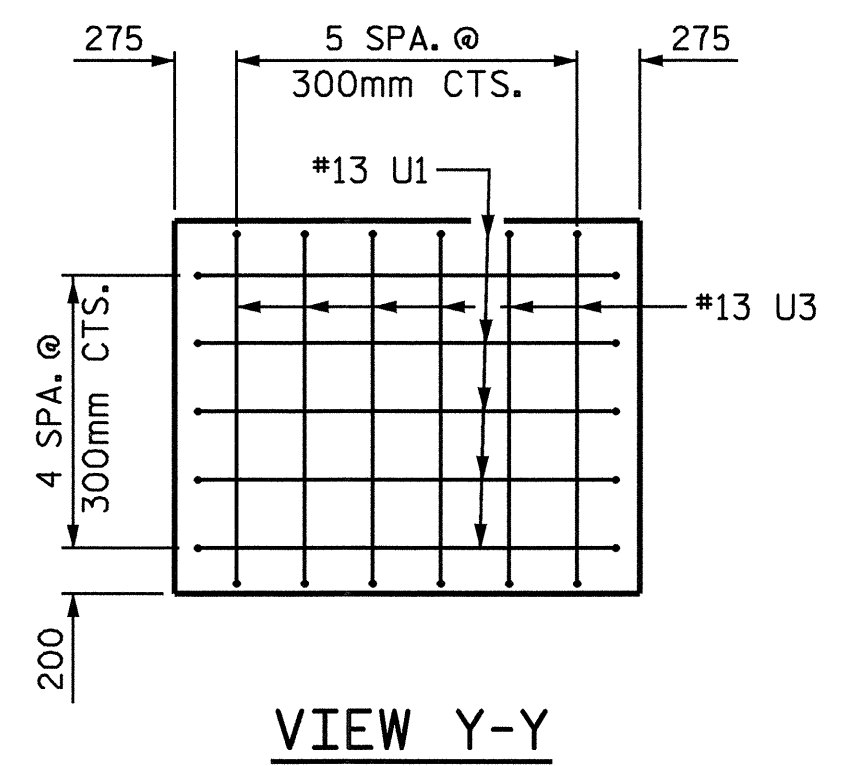
**DETAIL "A"**



**DETAIL "B"**



**VIEW X-X**

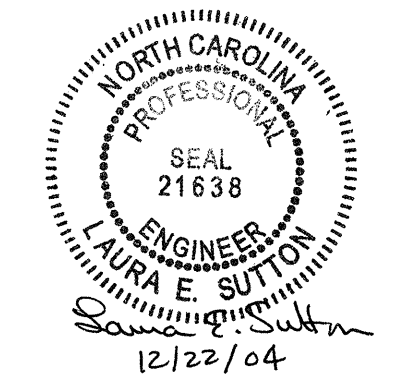


**VIEW Y-Y**

PROJECT NO. R-0977A  
CHEROKEE COUNTY  
 STATION 68+58.000-LREV-

SHEET 2 OF 3

|  |     |       |     |     |                     |
|--|-----|-------|-----|-----|---------------------|
| STATE OF NORTH CAROLINA<br>DEPARTMENT OF TRANSPORTATION<br>RALEIGH |     |       |     |     |                     |
| SUBSTRUCTURE<br>BENT 3   |     |       |     |     |                     |
| REVISIONS  |     |       |     |     |                     |
| NO.  | BY: | DATE: | NO. | BY: | DATE:               |
| 1  |     |       | 3   |     |                     |
| 2  |     |       | 4   |     |                     |
|  |     |       |     |     | SHEET NO.<br>S-219  |
|  |     |       |     |     | TOTAL SHEETS<br>230 |



DRAWN BY: M.K. BEARD DATE: 10/20/04  
 CHECKED BY: L.E. SUTTON DATE: 12/19/04