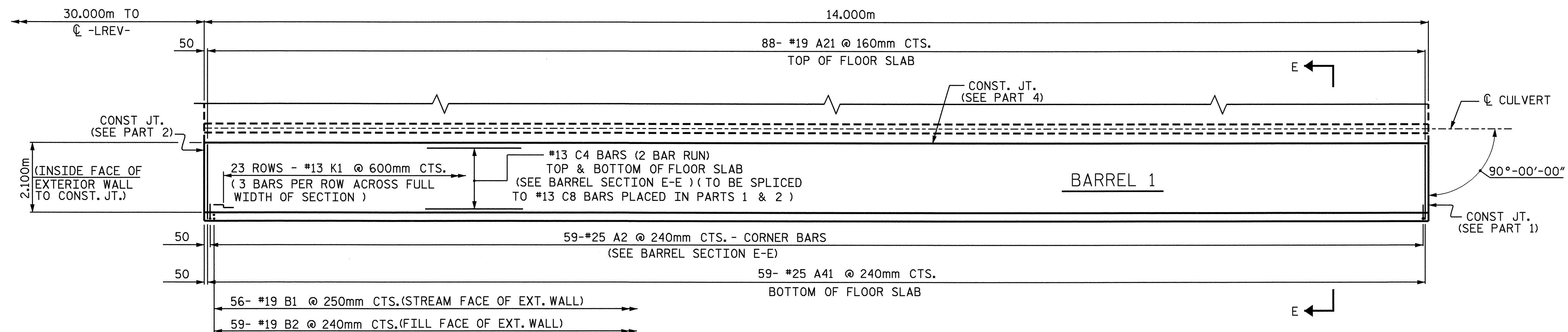
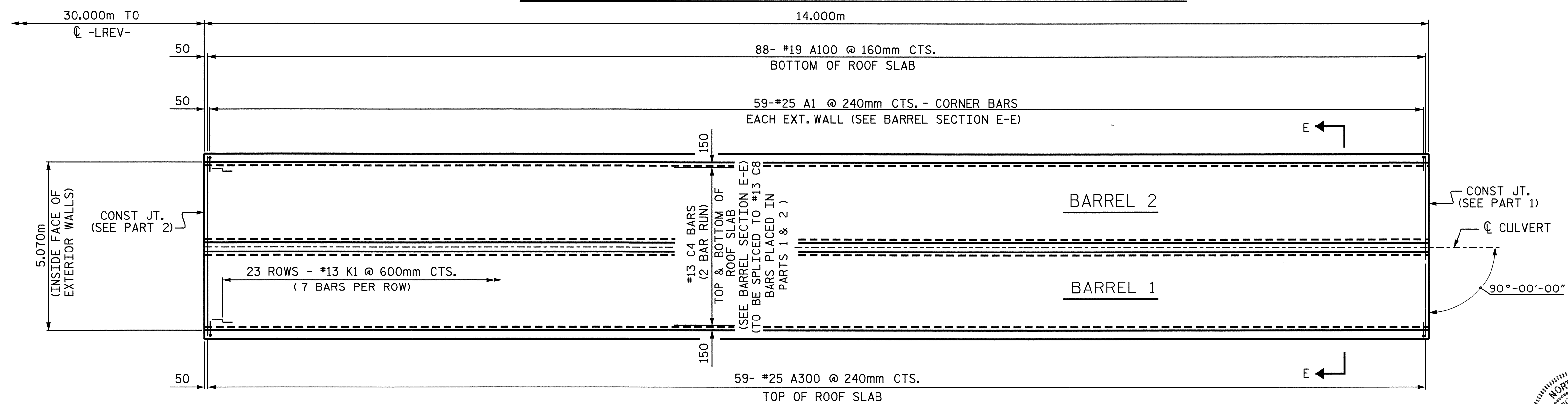


PLAN OF CULVERT - FLOOR SLAB - PART 4



PLAN OF CULVERT - FLOOR SLAB - PART 5B

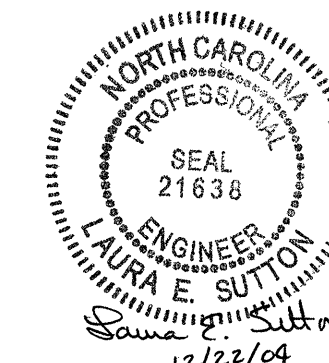


PLAN OF CULVERT - ROOF SLAB - PART 4 & 5B

PROJECT NO. R-0977A
CHEROKEE COUNTY
 STATION: 35+18.000-LREV-

SHEET 11 OF 14

STATE OF NORTH CAROLINA
 DEPARTMENT OF TRANSPORTATION
 RALEIGH
 DOUBLE
 2.400m X 2.400m
 CONCRETE BOX CULVERT
 84° SKEW



DRAWN BY: V. X. NGUYEN DATE: 9-29-97
 CHECKED BY: B.N. BARODAWALA DATE: 9-04

20-DEC-2004 15:49
 W:\Squadd\0977a\str6\scallaway\R0977A.sd_CU.06.dgn
 lsutton

REVISIONS						SHEET NO.	
NO.	BY:	DATE:	NO.	BY:	DATE:	C-11	
1			3			TOTAL	14
2			4			SHEETS	

STR. #6