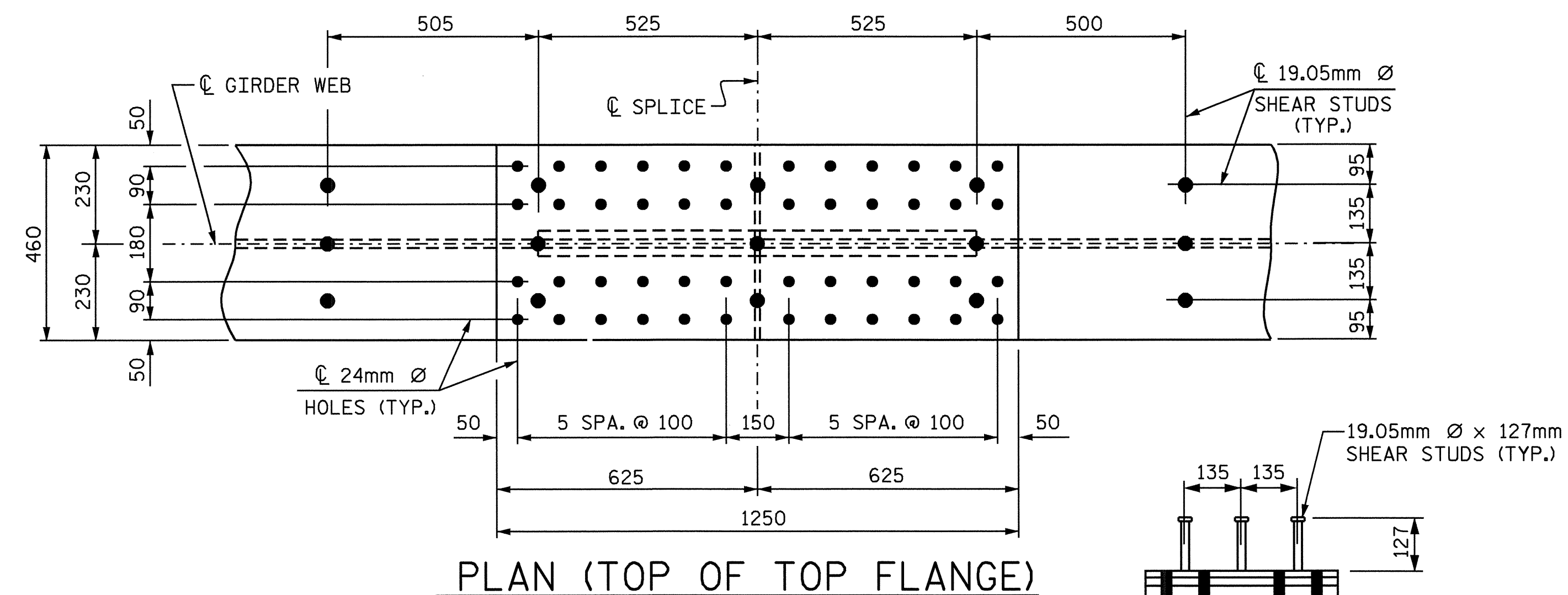
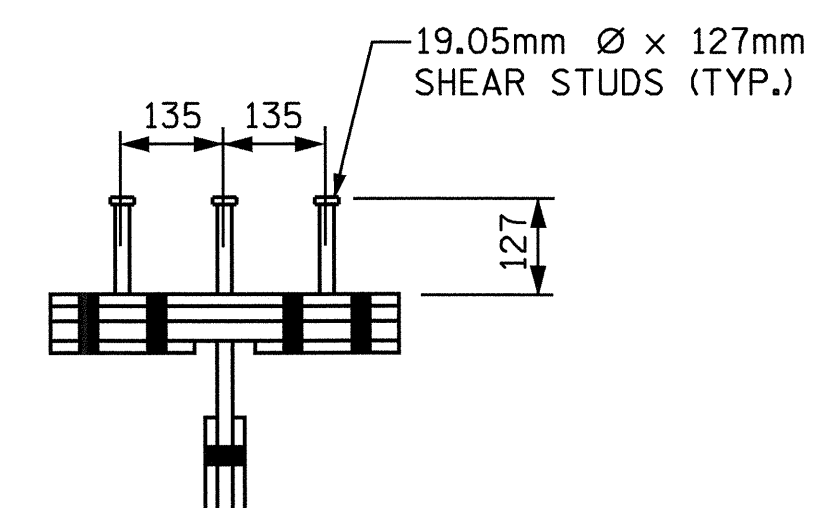


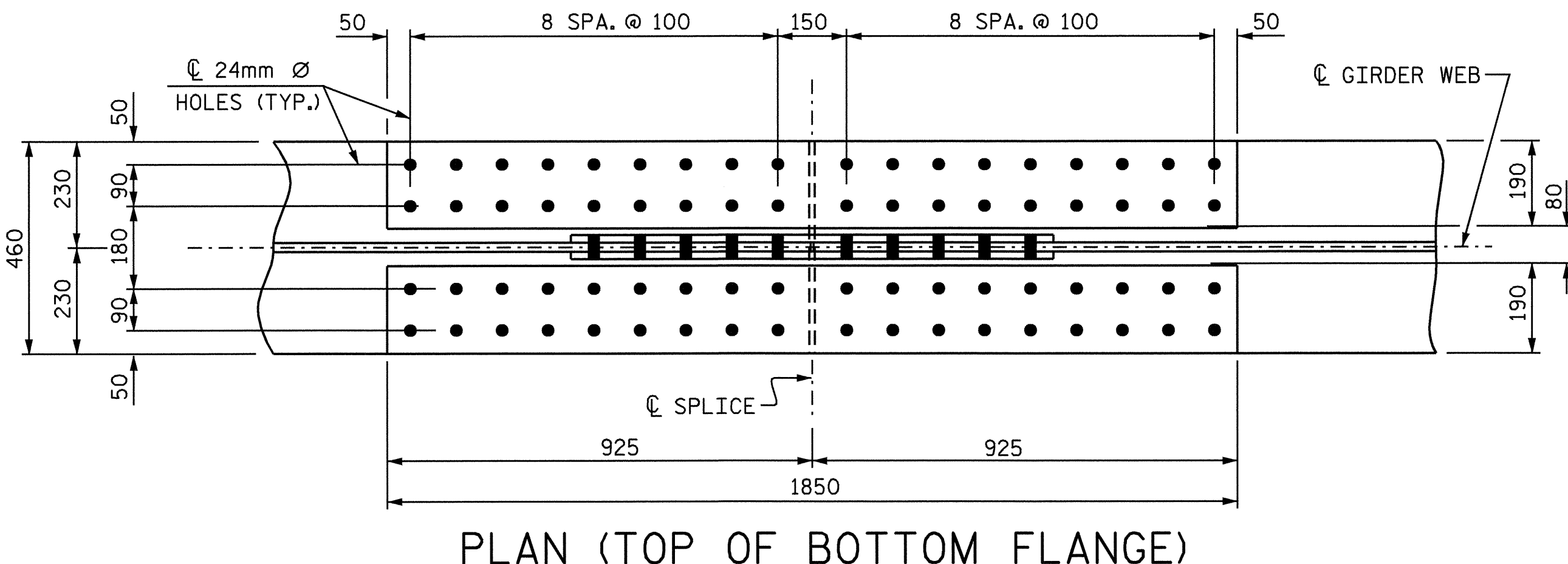
BOLTED FIELD SPLICE C DETAILS



PLAN (TOP OF TOP FLANGE)



SHEAR STUD DETAIL FOR TOP FLANGE SPLICE PLATE



PLAN (TOP OF BOTTOM FLANGE)

DESCRIPTION	SIZE	NO. REQ'D. FOR ONE FIELD SPLICE	TOTAL REQ'D. FOR SPLICE C
WEB SPLICE PLATE	16 x 1050 x 2800	2	16
OUTER SPLICE PLATE TOP FLANGE W/SHEAR STUDS	20 x 460 x 1250	1	8
INNER SPLICE PLATE TOP FLANGE	20 x 190 x 1250	2	16
FILL PLATE TOP FLANGE	12 x 460 x 600	1	8
FILL PLATE BOTTOM FLANGE	12 x 460 x 900	1	8
INNER SPLICE PLATE BOTTOM FLANGE	20 x 190 x 1850	2	16
OUTER SPLICE PLATE BOTTOM FLANGE	20 x 460 x 1850	1	8

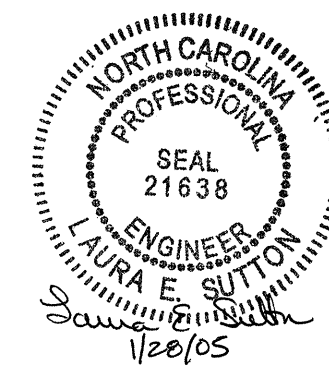
NOTE: 24mm Ø HOLES FOR 22.23mm Ø BOLTS.

PROJECT NO. R-0977A
 CHEROKEE COUNTY
 STATION: 16+02.300-LC1B-

SHEET 7 OF 7

STATE OF NORTH CAROLINA
 DEPARTMENT OF TRANSPORTATION
 RALEIGH

SUPERSTRUCTURE
 STRUCTURAL STEEL
 DETAILS



DRAWN BY: A.S. CALLAWAY DATE: 2/18/04
 CHECKED BY: B.N. BARODAWALA DATE: 6/17/04

28-JAN-2005 16:03
 W:\SquadL\R0977a\strl\scallaway\R0977A.sd.SS.01.dgn
 lsutton

REVISIONS						SHEET NO.
NO.	BY:	DATE:	NO.	BY:	DATE:	S-19
1			3			TOTAL SHEETS
2			4			230

STR. #1