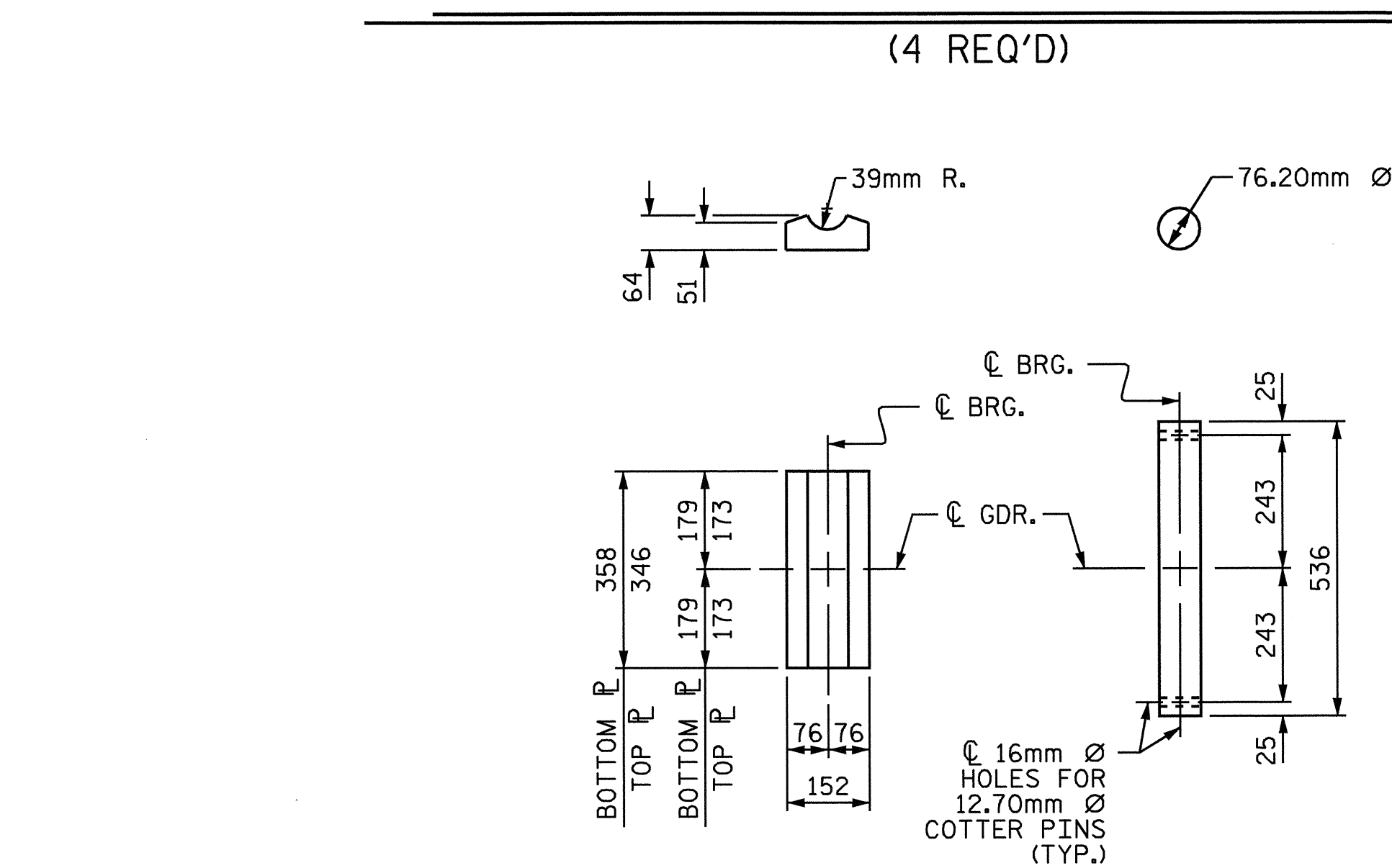
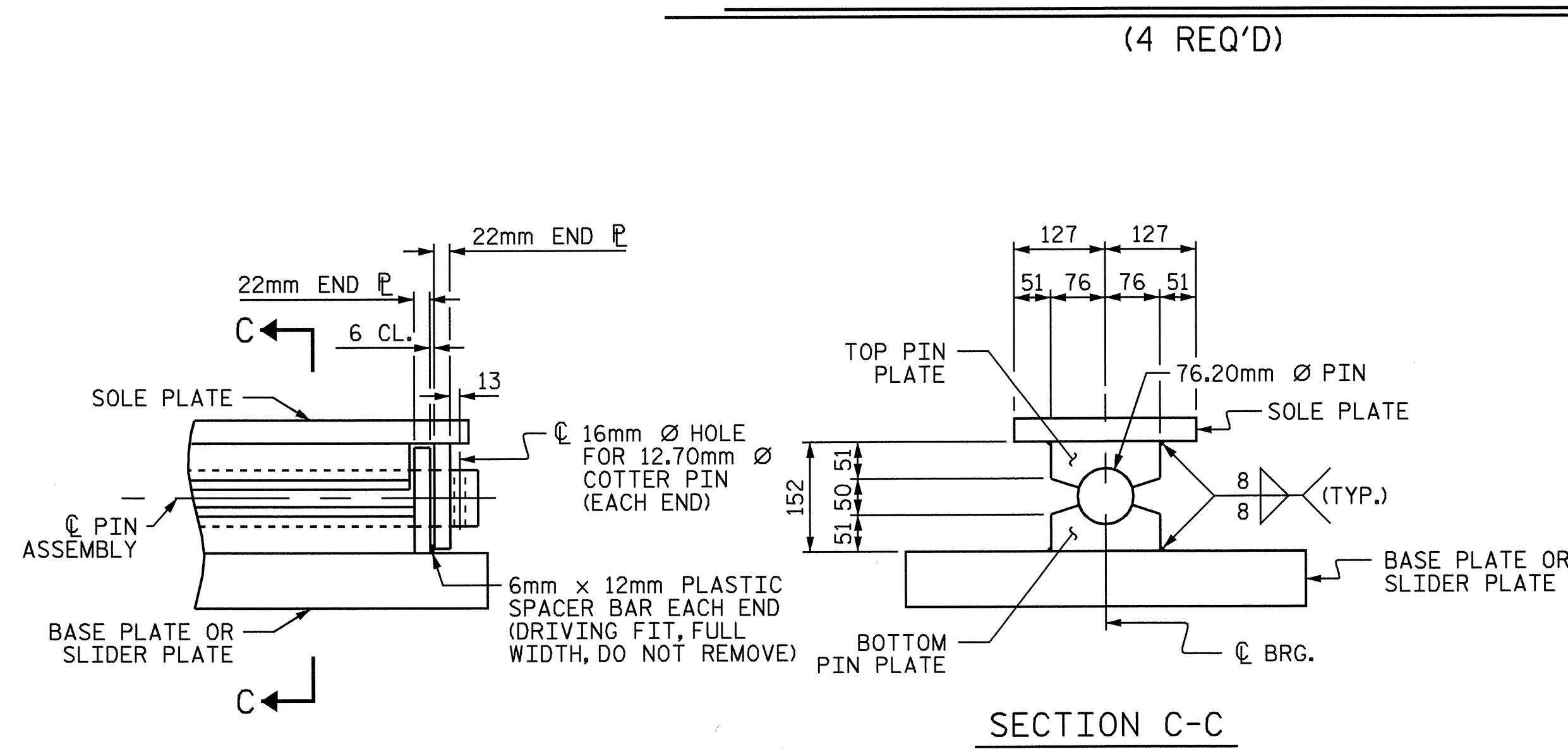


PR1 - EXPANSION BEARING ASSEMBLY
(4 REQ'D)

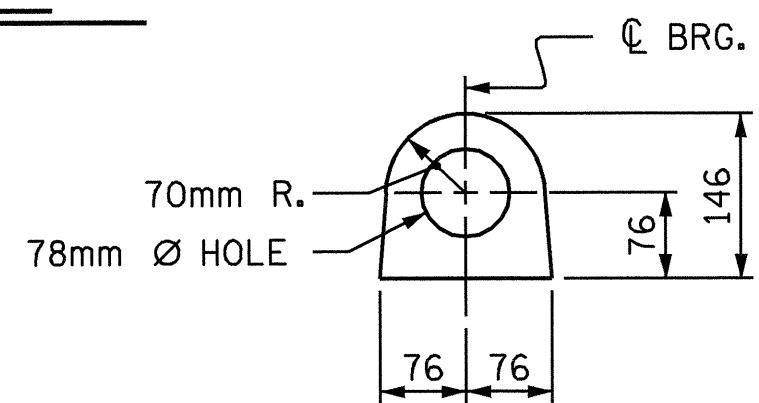
PR2 - EXPANSION BEARING ASSEMBLY
(4 REQ'D)



PIN PLATES **PIN**
PA1 - PIN ASSEMBLY
USE WITH BEARINGS PR1 & PR2
(8 REQ'D)



PIN ASSEMBLY DETAILS



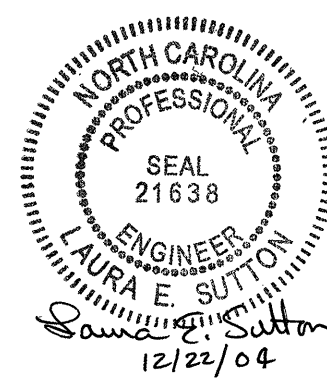
22mm END PLATE
(4 REQ'D PER BEARING)

PROJECT NO. R-0977A
CHEROKEE COUNTY
STATION: 16+02.300-LC1B-

SHEET 2 OF 3

STATE OF NORTH CAROLINA
DEPARTMENT OF TRANSPORTATION
RALEIGH

PIN ROCKER BEARING DETAILS



REVISIONS						SHEET NO.
NO.	BY:	DATE:	NO.	BY:	DATE:	S-21
1			3			TOTAL SHEETS
2			4			230

DRAWN BY: L.E. SUTTON DATE: 10/19/04
CHECKED BY: M.A. ALLEN DATE: 10/25/04

21-DEC-2004 07:09
W:\SquadLR0977a\str\lsutton\R0977A_sd_BG_01.dgn
lsutton

STR. #1