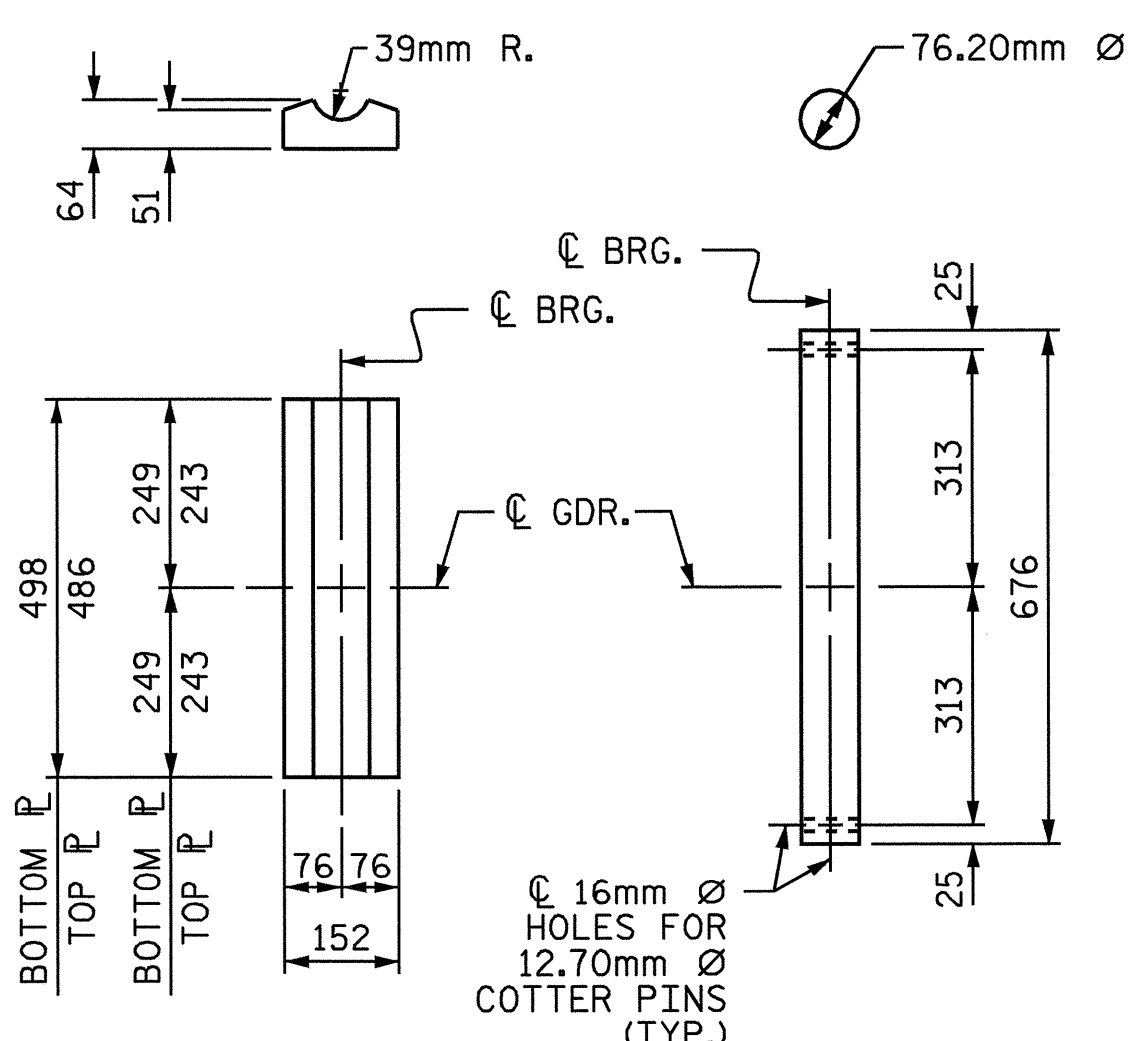
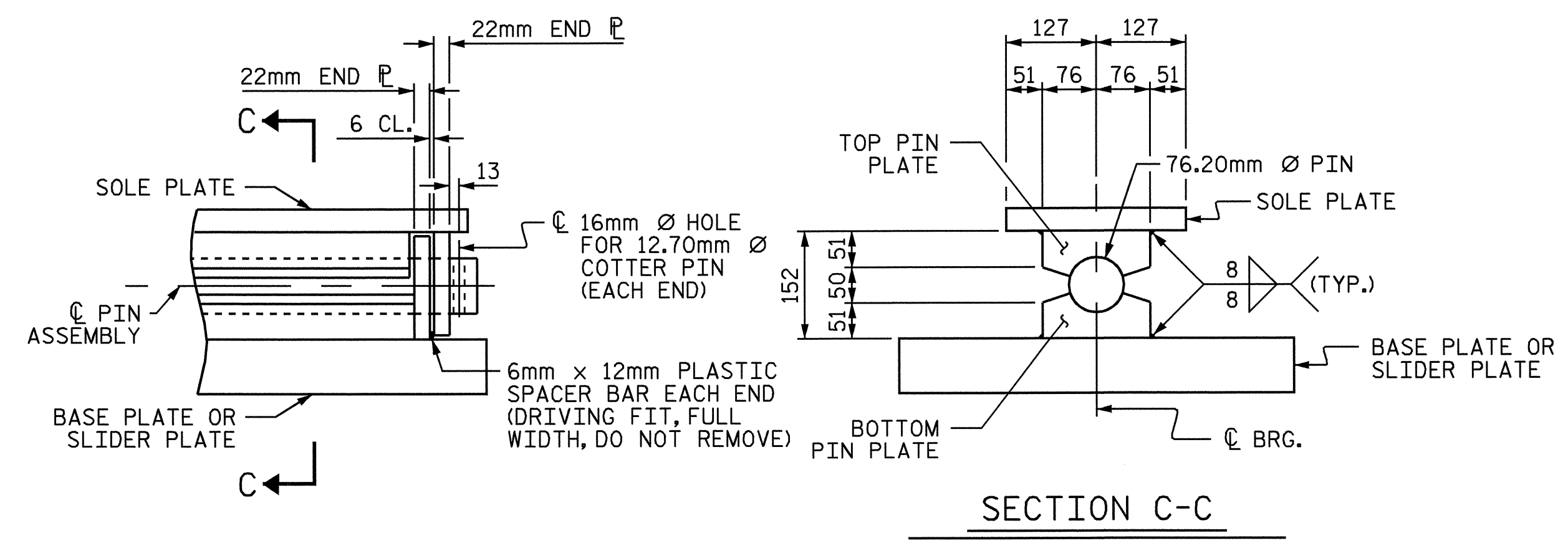


**PR3 - EXPANSION BEARING ASSEMBLY**  
(4 REQ'D)

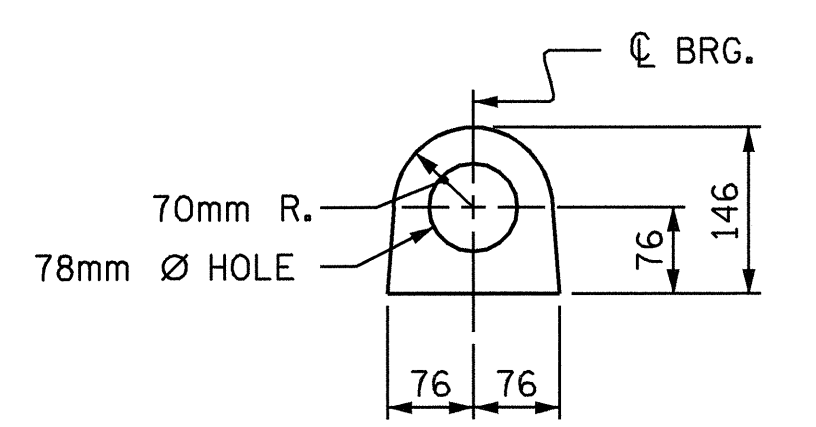
**PR4 - FIXED BEARING ASSEMBLY**  
(4 REQ'D)



**PIN PLATES**      **PIN**  
**PA2 - PIN ASSEMBLY**  
USE WITH BEARINGS PR3 & PR4  
(8 REQ'D)



**PIN ASSEMBLY DETAILS**



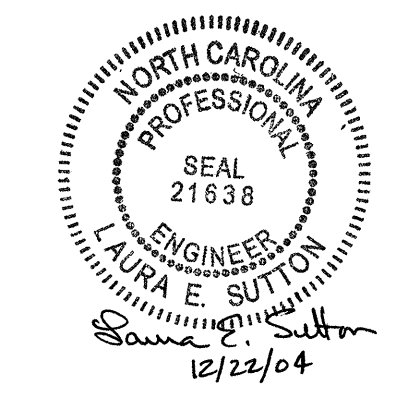
**22mm END PLATE**  
(4 REQ'D PER BEARING)

PROJECT NO. R-0977A  
CHEROKEE COUNTY  
STATION: 16+02.300-LC1B-

SHEET 3 OF 3

STATE OF NORTH CAROLINA  
DEPARTMENT OF TRANSPORTATION  
RALEIGH

**PIN ROCKER BEARING DETAILS**



REVISIONS						SHEET NO.
NO.	BY:	DATE:	NO.	BY:	DATE:	S-22
1			3			TOTAL SHEETS
2			4			230

DRAWN BY : L.E. SUTTON      DATE : 10/19/04  
CHECKED BY : M.A. ALLEN      DATE : 10/25/04