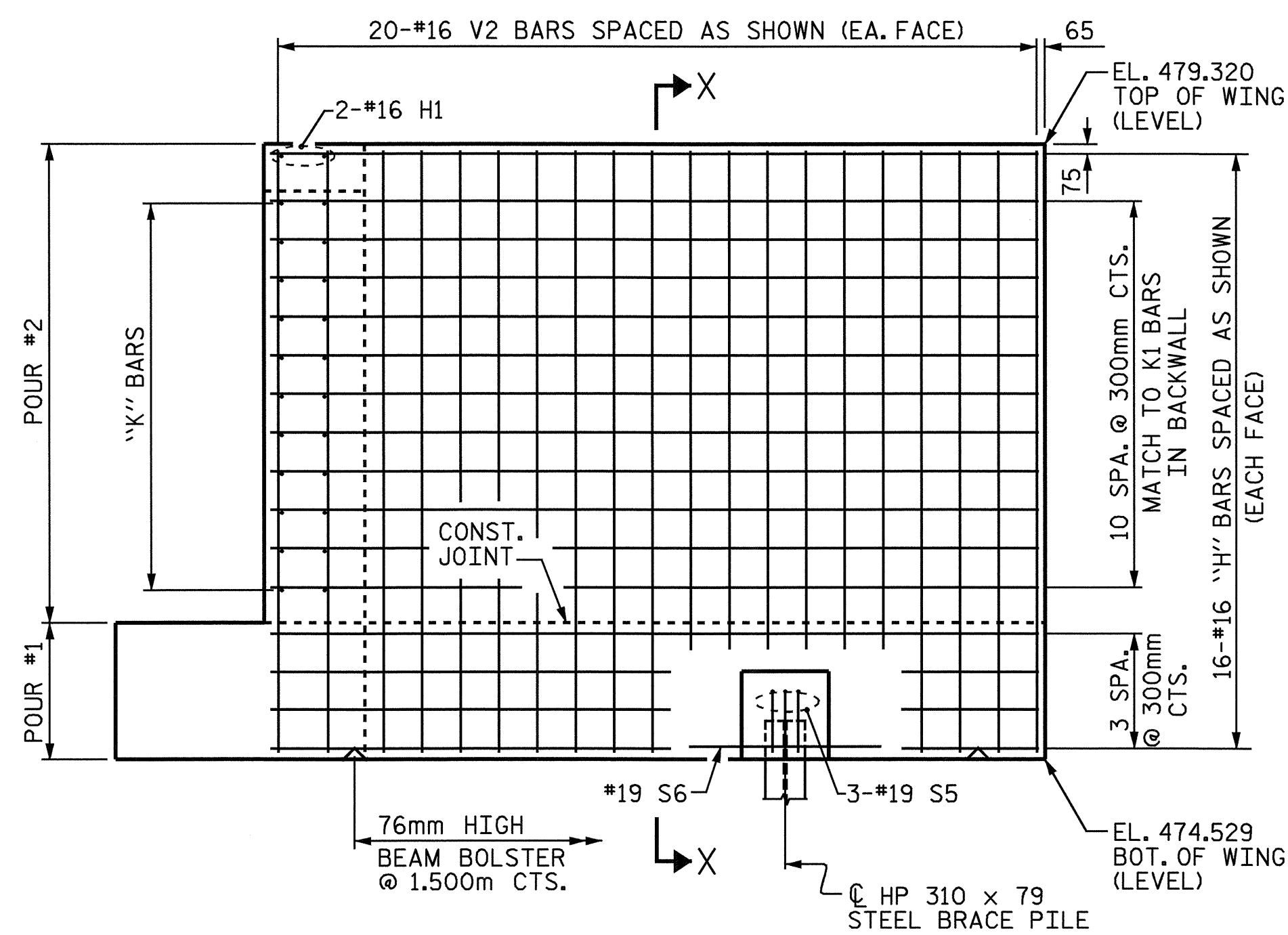
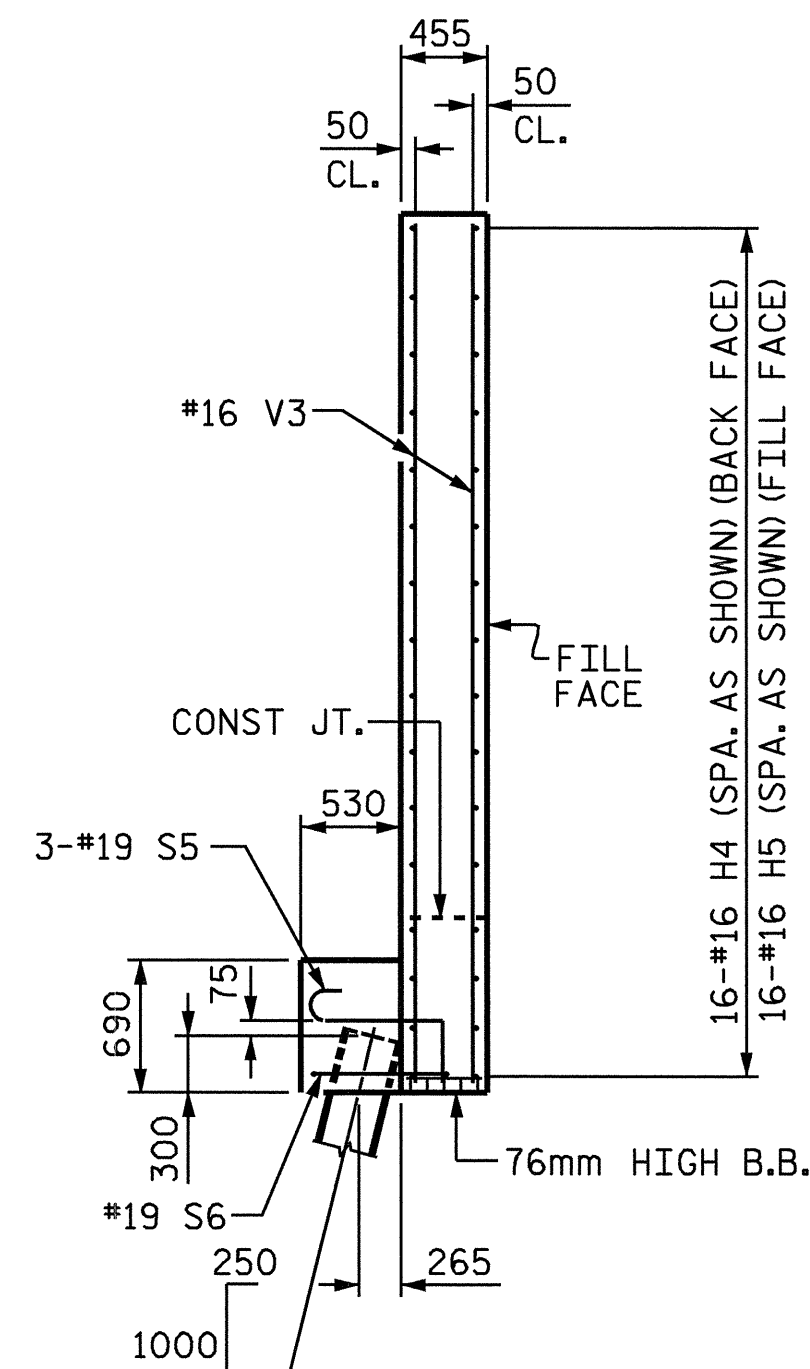


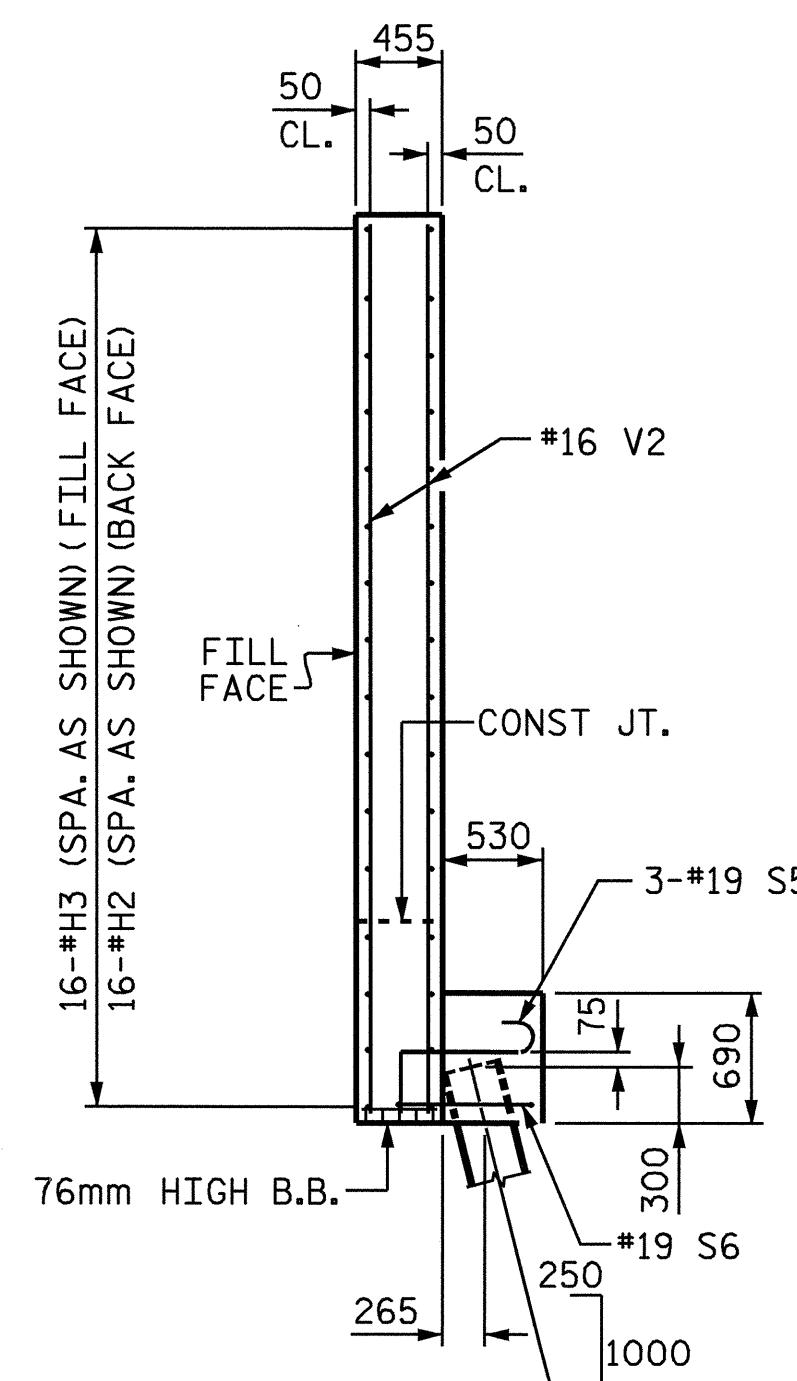
PLAN OF WING W1



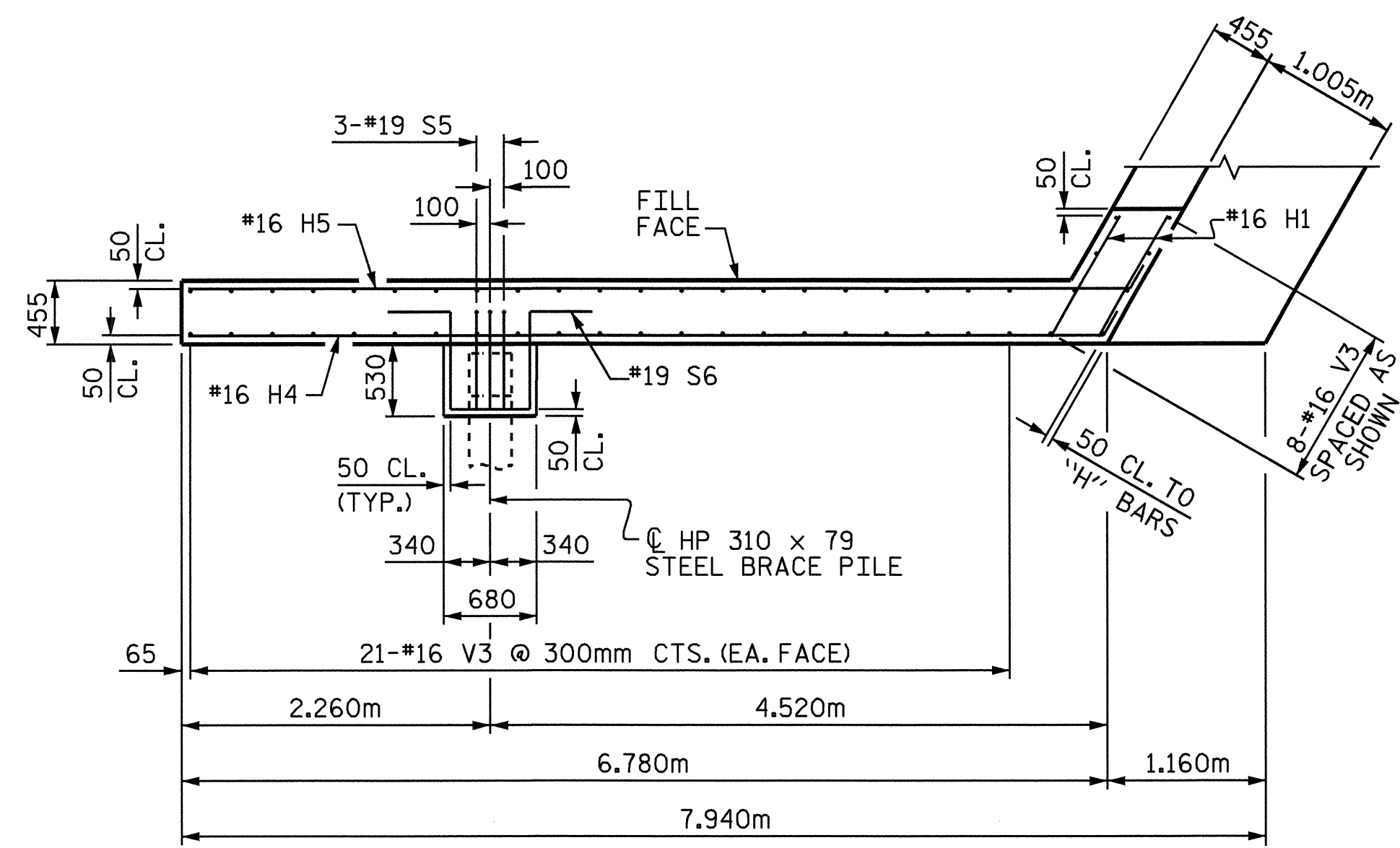
ELEVATION OF WING W1



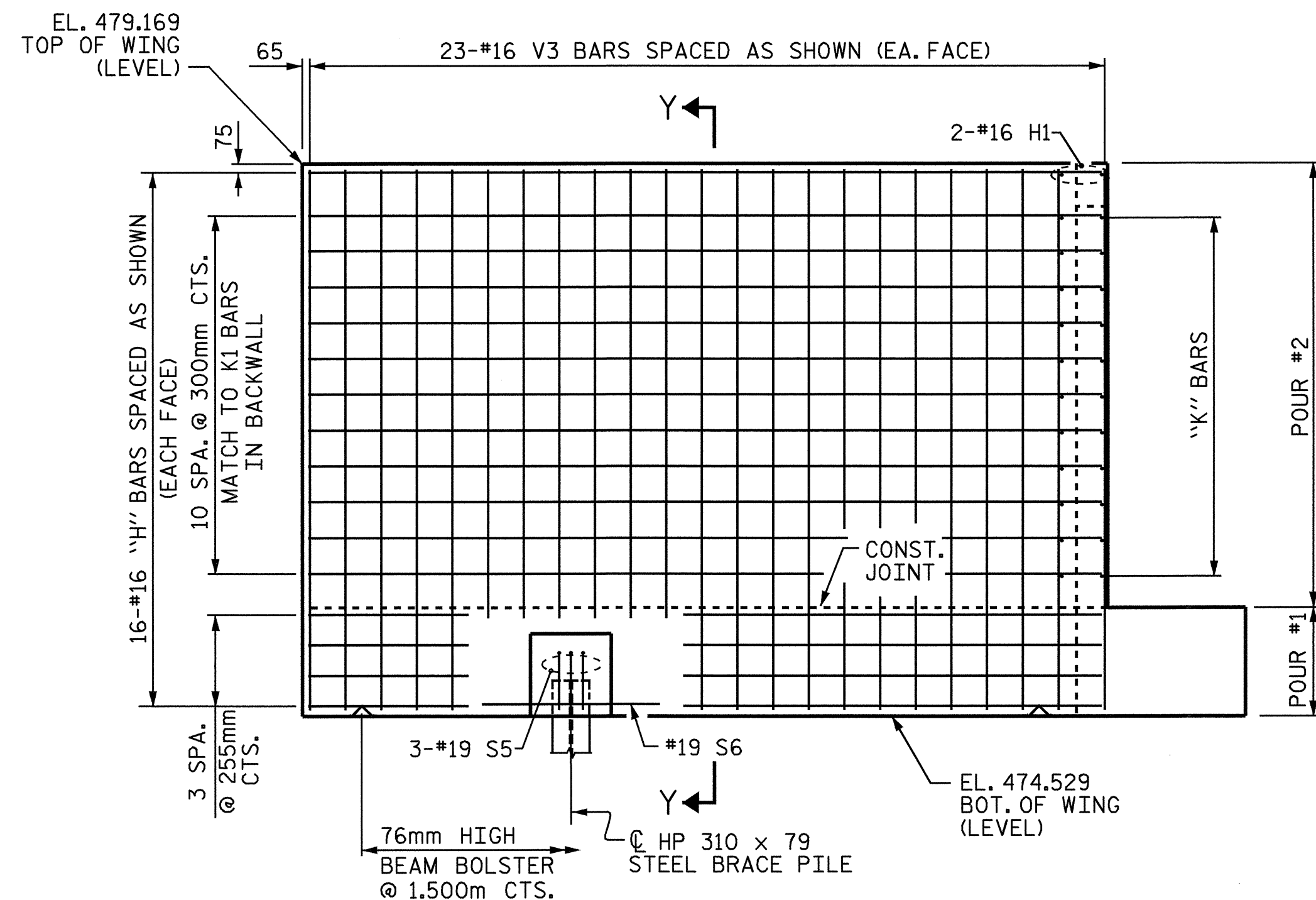
SECTION Y-Y



SECTION X-X



PLAN OF WING W2



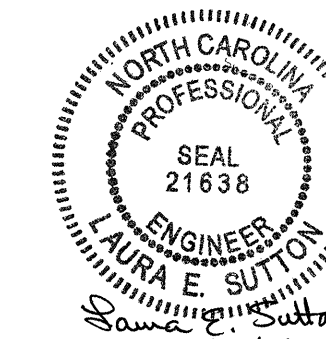
ELEVATION OF WING W2

PROJECT NO. R-0977A  
 CHEROKEE COUNTY  
 STATION: 16+02.300-LC1B-

SHEET 2 OF 3

STATE OF NORTH CAROLINA  
 DEPARTMENT OF TRANSPORTATION  
 RALEIGH

SUBSTRUCTURE  
 END BENT 1



REVISIONS						SHEET NO.
NO.	BY:	DATE:	NO.	BY:	DATE:	S-33
1			3			TOTAL SHEETS
2			4			230

DRAWN BY: A.S. CALLAWAY DATE: 8/19/04  
 CHECKED BY: A.K. PATEL DATE: 9/22/04

21-DEC-2004 07:04  
 W:\Squad\l\0977a\str\scallaway\R0977A\_sd.EL.01.dgn  
 lsutton

STR. #1