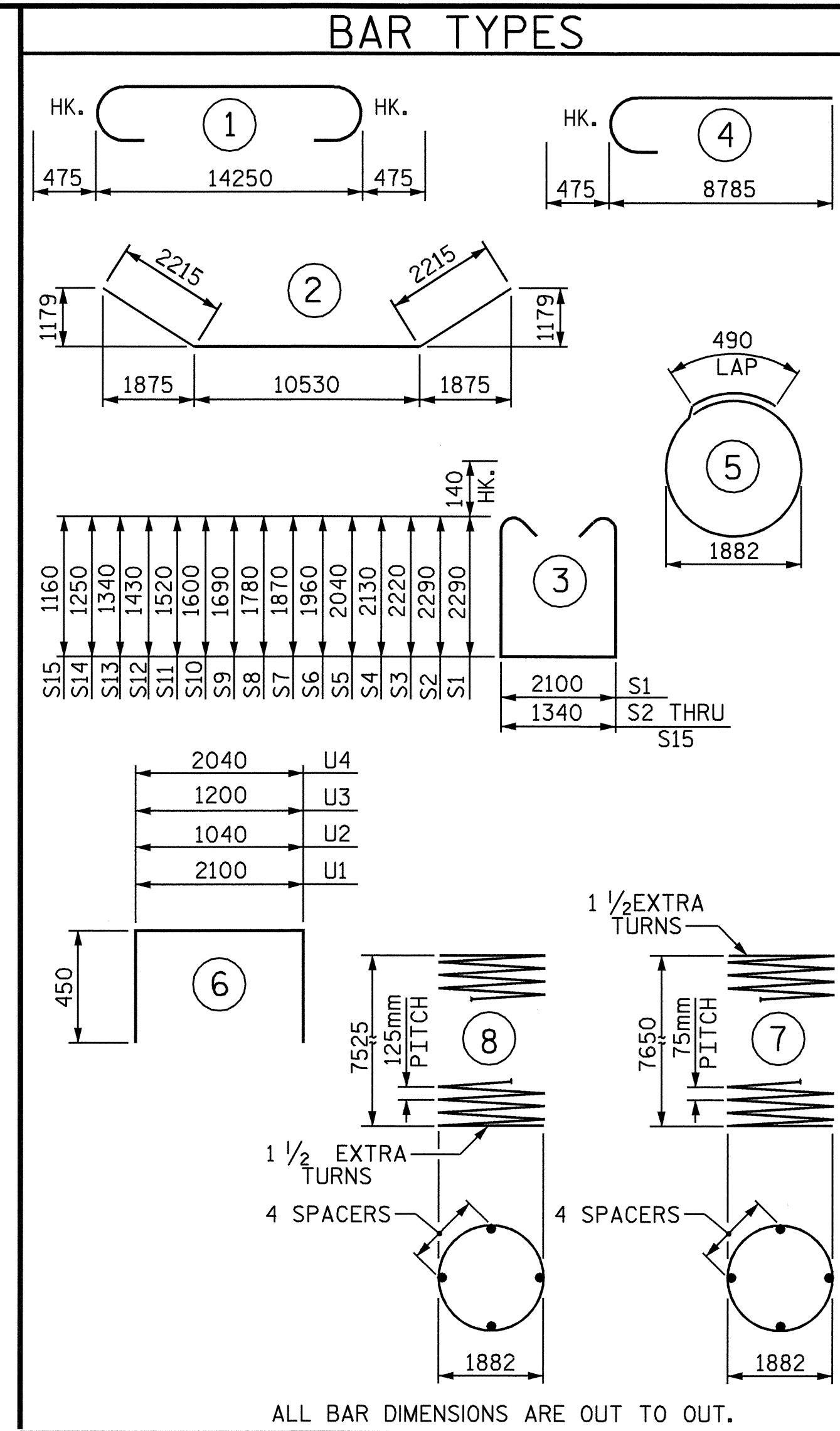
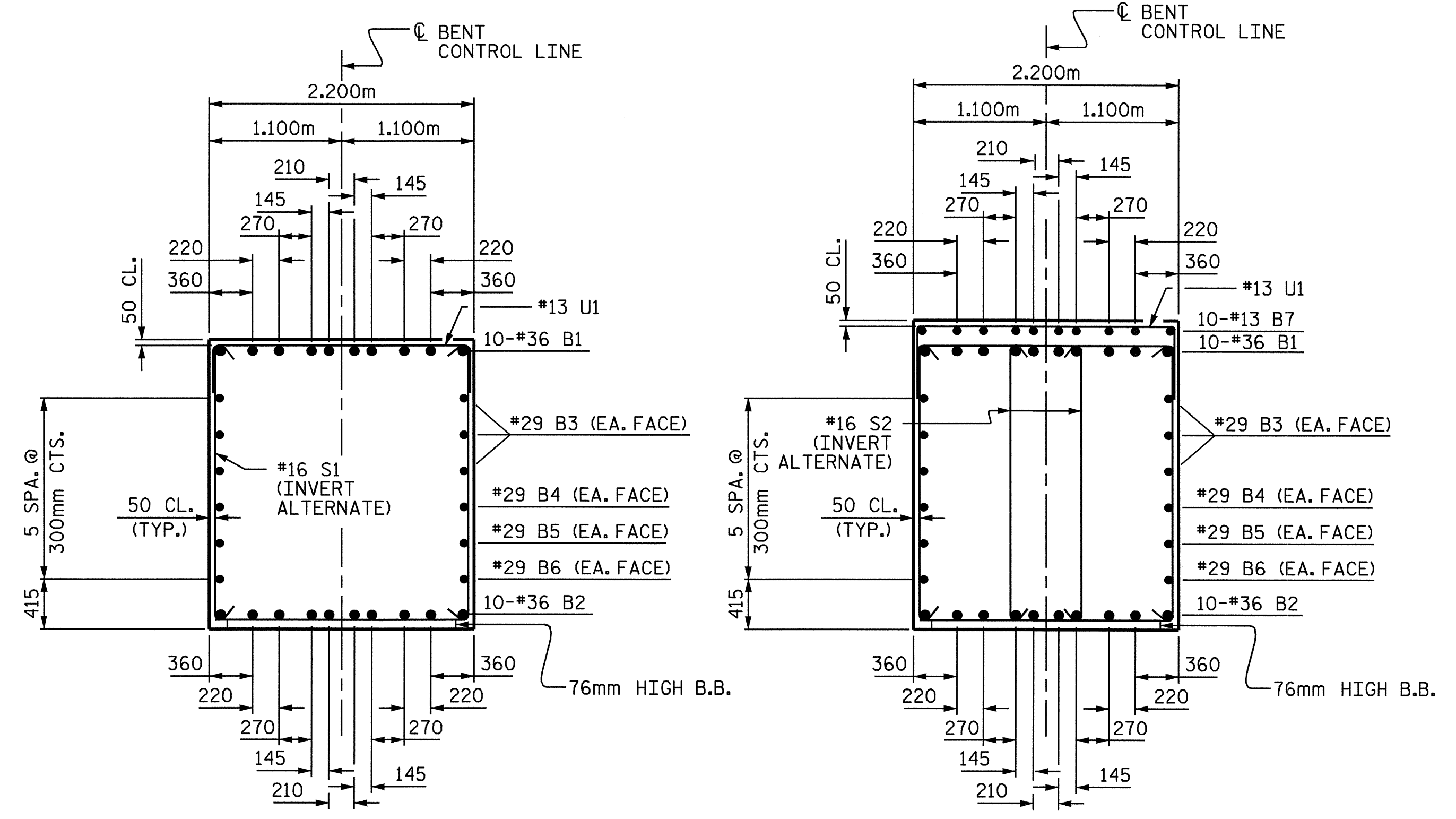


PLAN OF DRILLED PIERS
 PLAN OF COLUMNS & DRILLED PIERS
 PLAN OF COLUMNS

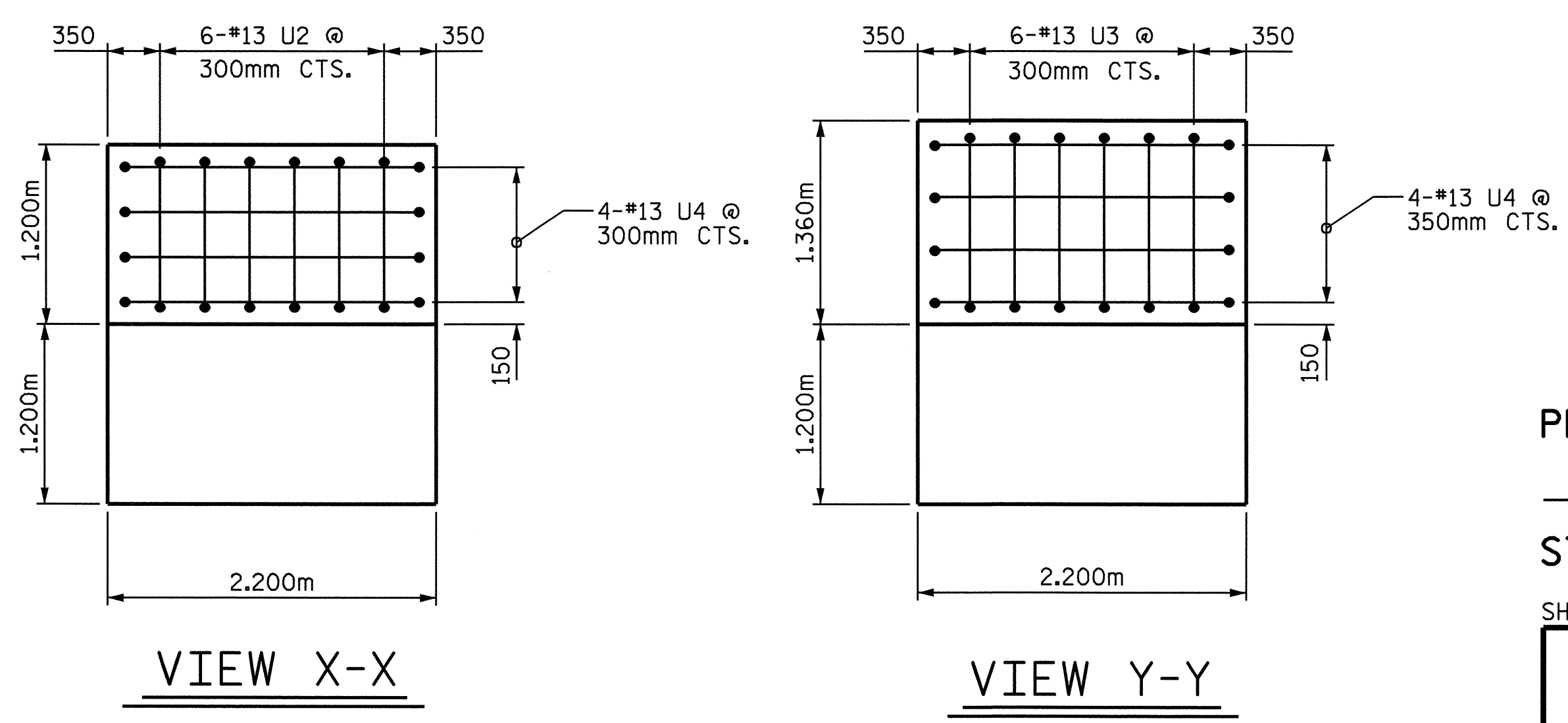


ALL BAR DIMENSIONS ARE OUT TO OUT.

BILL OF MATERIAL BENT 2					
BAR	NO.	SIZE	TYPE	LENGTH	WEIGHT
B1	10	36	1	15200	1202
B2	10	36	2	14960	1183
B3	6	29	STR	14300	434
B4	2	29	STR	13620	138
B5	2	29	STR	12660	128
B6	2	29	STR	11700	118
B7	10	13	STR	5800	58
M1	72	36	STR	10800	6148
S1	13	16	3	6960	140
S2	36	16	3	6200	346
S3	4	16	3	6060	38
S4	4	16	3	5880	37
S5	4	16	3	5700	35
S6	4	16	3	5540	34
S7	4	16	3	5360	33
S8	4	16	3	5180	32
S9	4	16	3	5000	31
S10	4	16	3	4820	30
S11	4	16	3	4660	29
S12	4	16	3	4480	28
S13	4	16	3	4300	27
S14	4	16	3	4120	26
S15	4	16	3	3940	24
S16	24	16	5	6400	238
U1	42	13	6	3000	125
U2	6	13	6	1940	12
U3	6	13	6	2100	13
U4	8	13	6	2940	23
V1	72	36	4	9260	5272
TOTAL REINFORCING STEEL					kg 15982
SPIRAL COLUMN REINFORCING STEEL					
SP-1	2	**	8	362200	1124
SP-2	2	**	7	606840	1884
TOTAL SPIRAL COLUMN REINFORCING STEEL					kg 3008
CLASS A CONCRETE BREAKDOWN					
POUR #2 (COLUMNS) C.M.				46.7	
POUR #3 (BENT CAP) C.M.				73.3	
TOTAL				120.0	
DRILLED PIERS					
DRILLED PIER CONCRETE POUR #1 (DRILLED PIERS) C.M.				54.9	
2134mm Ø DRILLED PIERS IN SOIL				METERS 6.4	
2134mm Ø DRILLED PIERS NOT IN SOIL				METERS 9.0	
SID INSPECTION				EA. 1	
SPT TESTING				EA. 1	
CROSSHOLE SONIC LOGGING				EA. 1	
CSL TUBES				METERS 101.1	



SECTION A-A
 SECTION B-B



VIEW X-X
 VIEW Y-Y

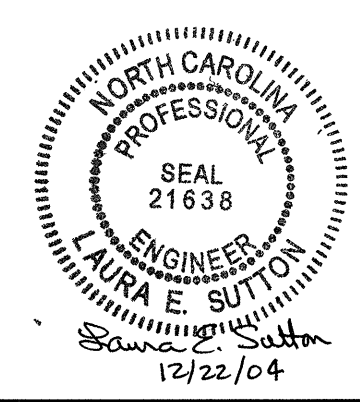
TOTAL		C.M.	
DRILLED PIERS			
DRILLED PIER CONCRETE			
POUR #1 (DRILLED PIERS)	54.9		
2134mm Ø DRILLED PIERS			
IN SOIL	METERS 6.4		
2134mm Ø DRILLED PIERS			
NOT IN SOIL	METERS 9.0		
SID INSPECTION	EA. 1		
SPT TESTING	EA. 1		
CROSSHOLE SONIC LOGGING	EA. 1		
CSL TUBES	METERS 101.1		

** THE "SP" SPIRAL REINFORCING STEEL SHALL BE W31 OR D-31 COLD DRAWN WIRE OR #16 PLAIN OR DEFORMED BAR.

PROJECT NO. R-0977A
 CHEROKEE COUNTY
 STATION: 16+02.300 -LC1B-

SHEET 2 OF 2

STATE OF NORTH CAROLINA
 DEPARTMENT OF TRANSPORTATION
 RALEIGH
 SUBSTRUCTURE
 BENT 2



REVISIONS			SHEET NO.		
NO.	BY:	DATE:	NO.	BY:	DATE:
1			3		
2			4		

TOTAL SHEETS 230

DRAWN BY: A. K. PATEL DATE: 10/18/04
 CHECKED BY: J. D. HAWK DATE: 10/26/04

21-DEC-2004 07:00
 W:\Squad\l-r0977a\str\j\haw\k\R0977A.sd.B*.01.dgn
 lsut1on

STR. #1