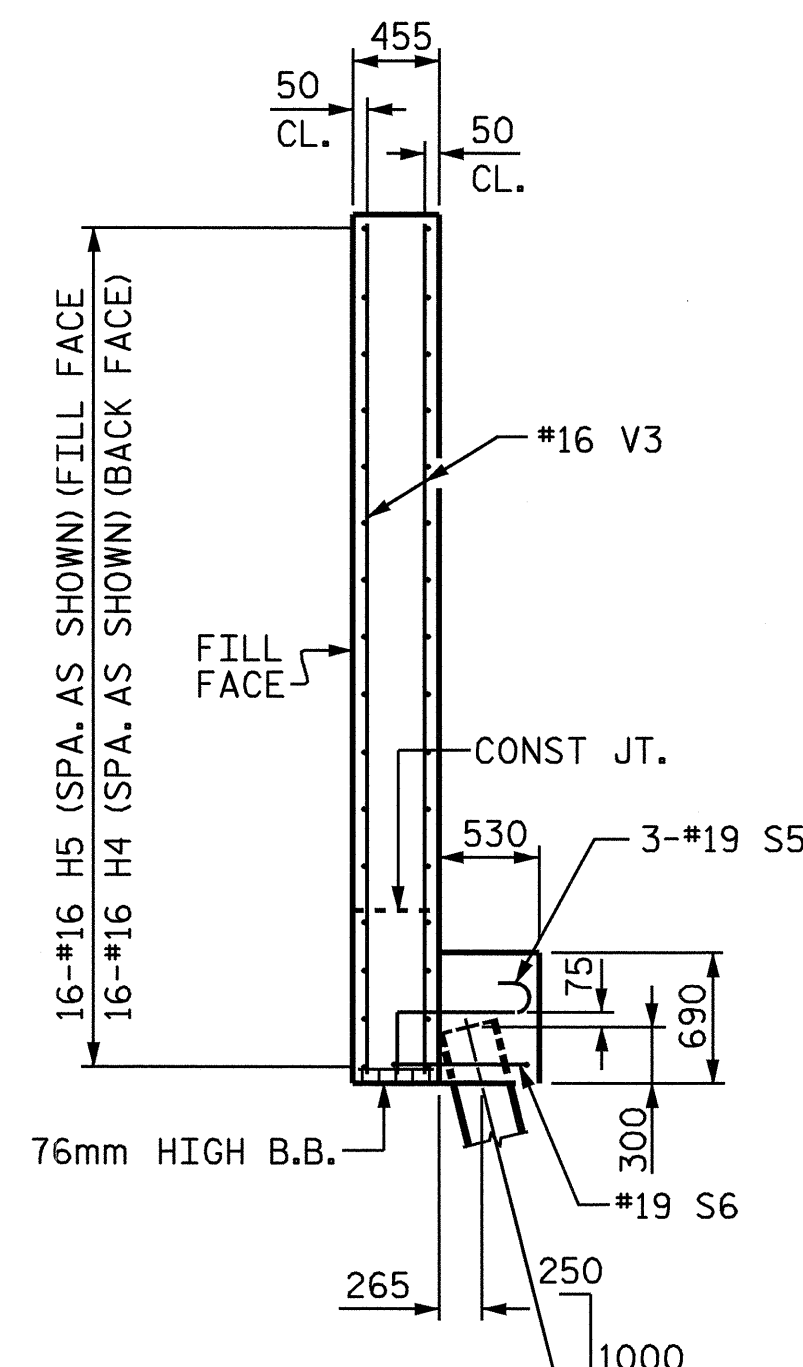
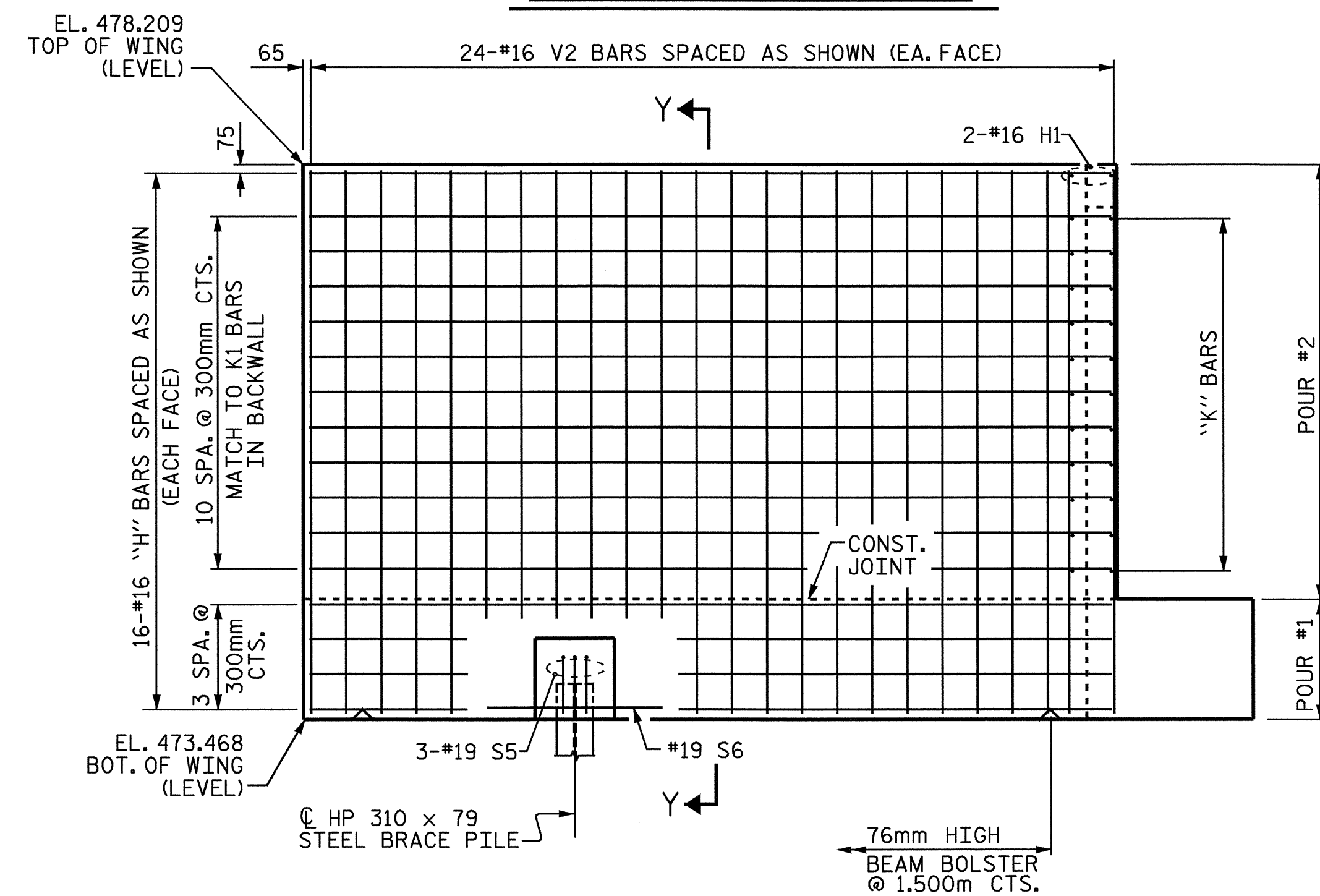


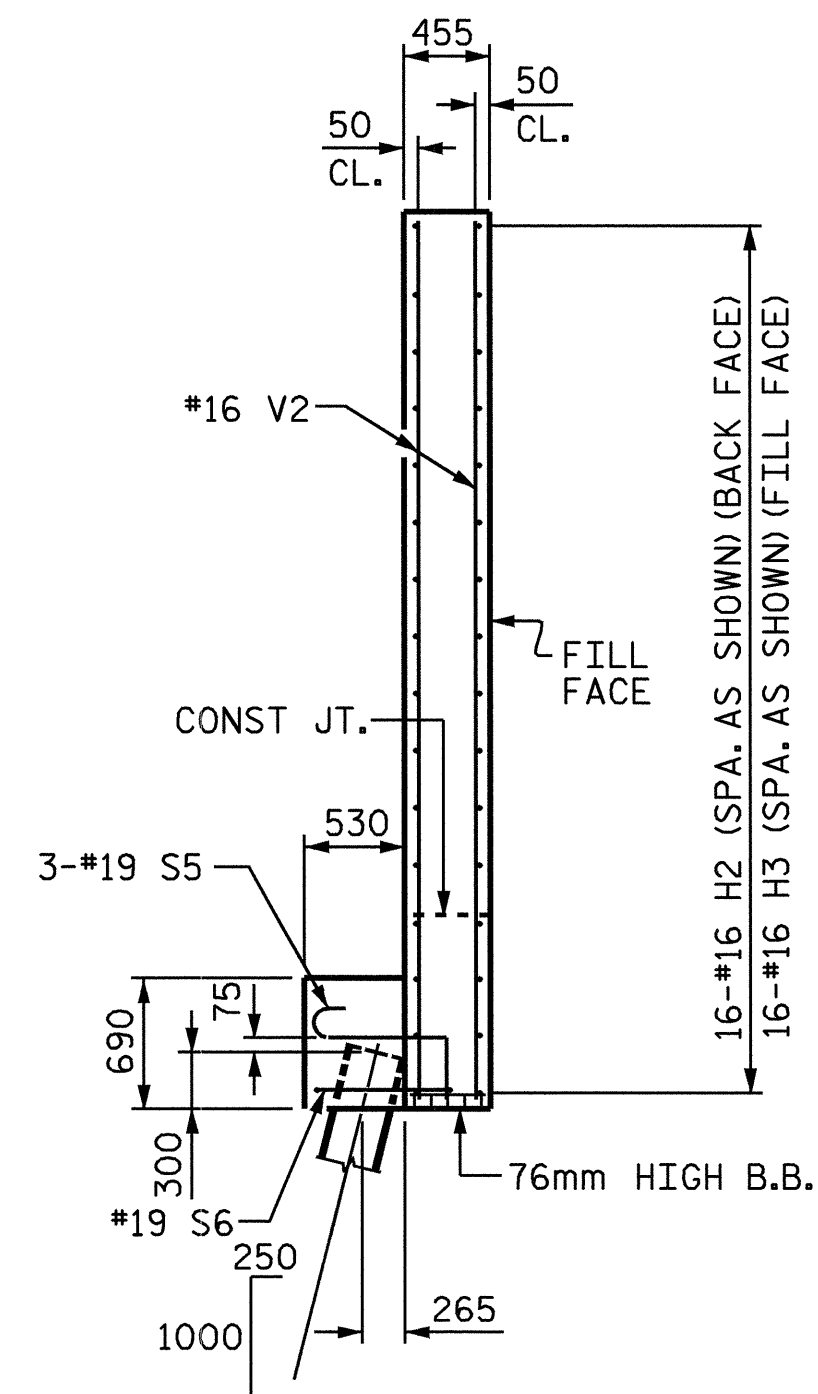
PLAN OF WING W1



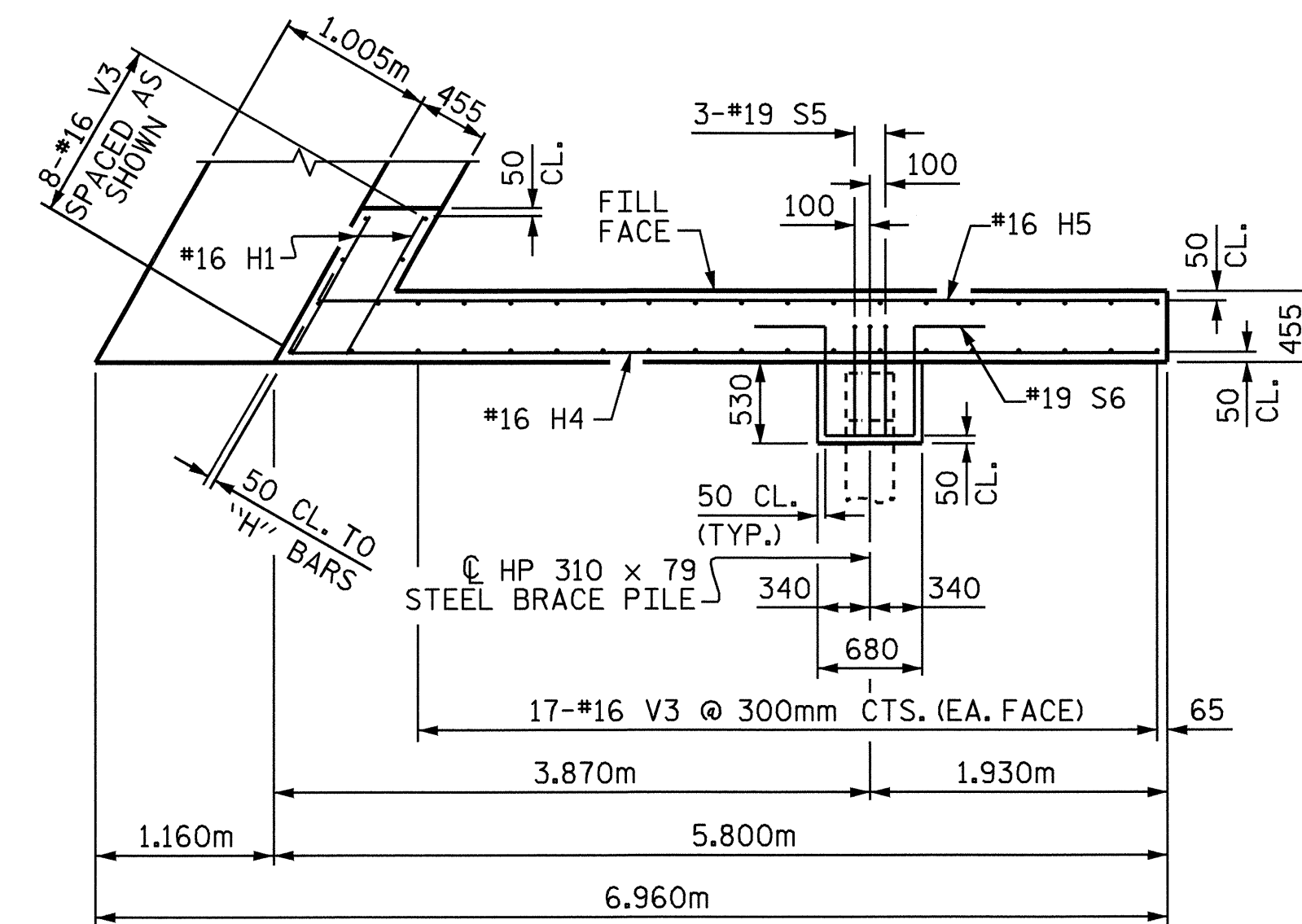
SECTION X-X



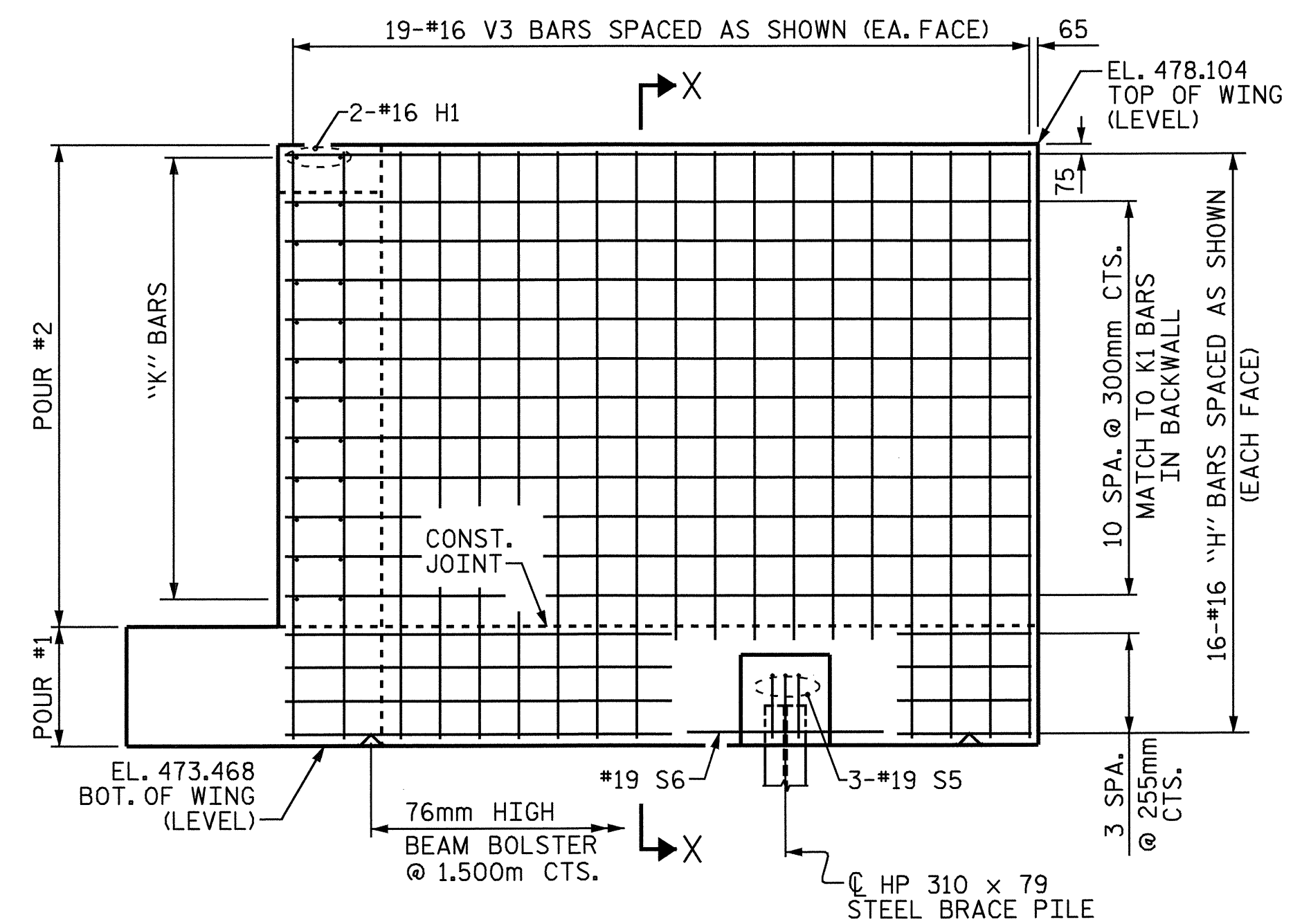
ELEVATION OF WING W1



SECTION Y-Y



PLAN OF WING W2



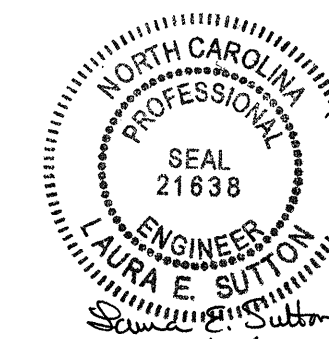
ELEVATION OF WING W2

PROJECT NO. R-0977A
 CHEROKEE COUNTY
 STATION: 16+02.300-LC1B-

SHEET 2 OF 3

STATE OF NORTH CAROLINA
 DEPARTMENT OF TRANSPORTATION
 RALEIGH

SUBSTRUCTURE
 END BENT 2



DRAWN BY: A.S. CALLAWAY DATE: 8/23/04
 CHECKED BY: A.K. PATEL DATE: 9/22/04

21-DEC-2004 07:00
 W:\SquadL\R0977a\str1\scallaway\R0977A_sd.E2-01.dgn
 lsu+ton

REVISIONS						SHEET NO.
NO.	BY:	DATE:	NO.	BY:	DATE:	TOTAL SHEETS
1			3			S-40
2			4			230

STR. #1