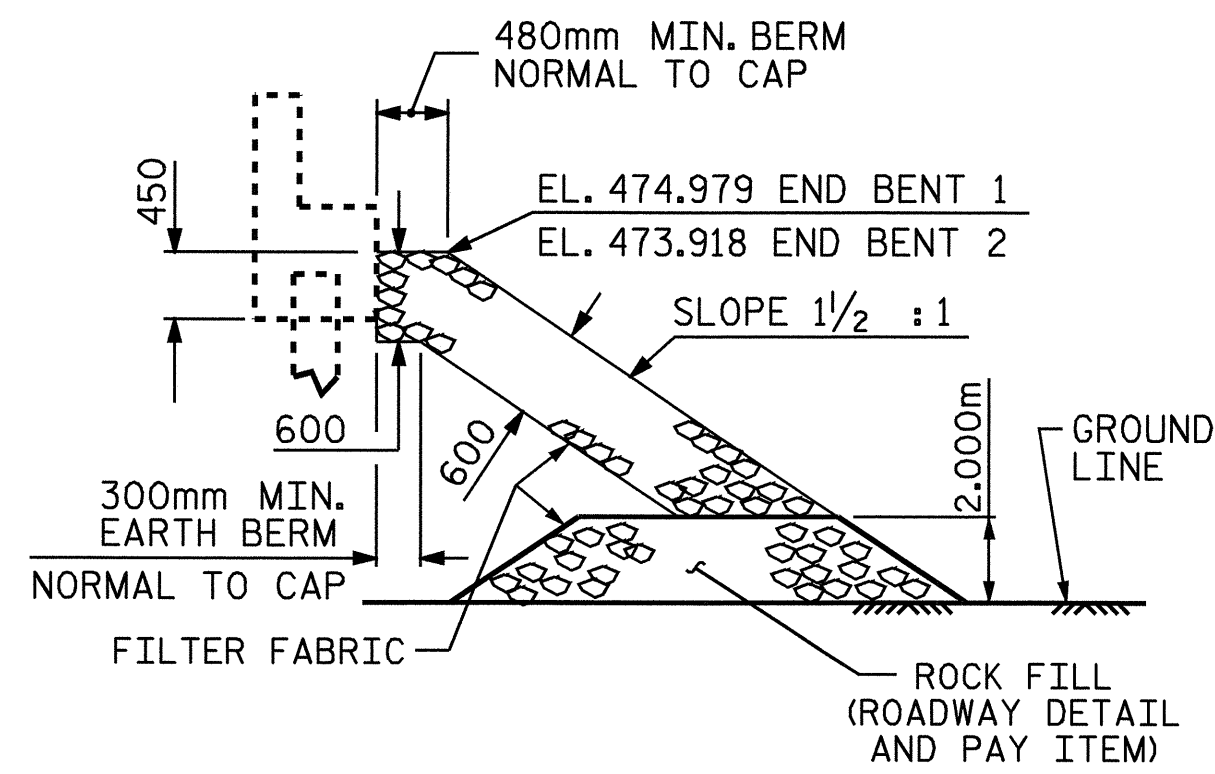
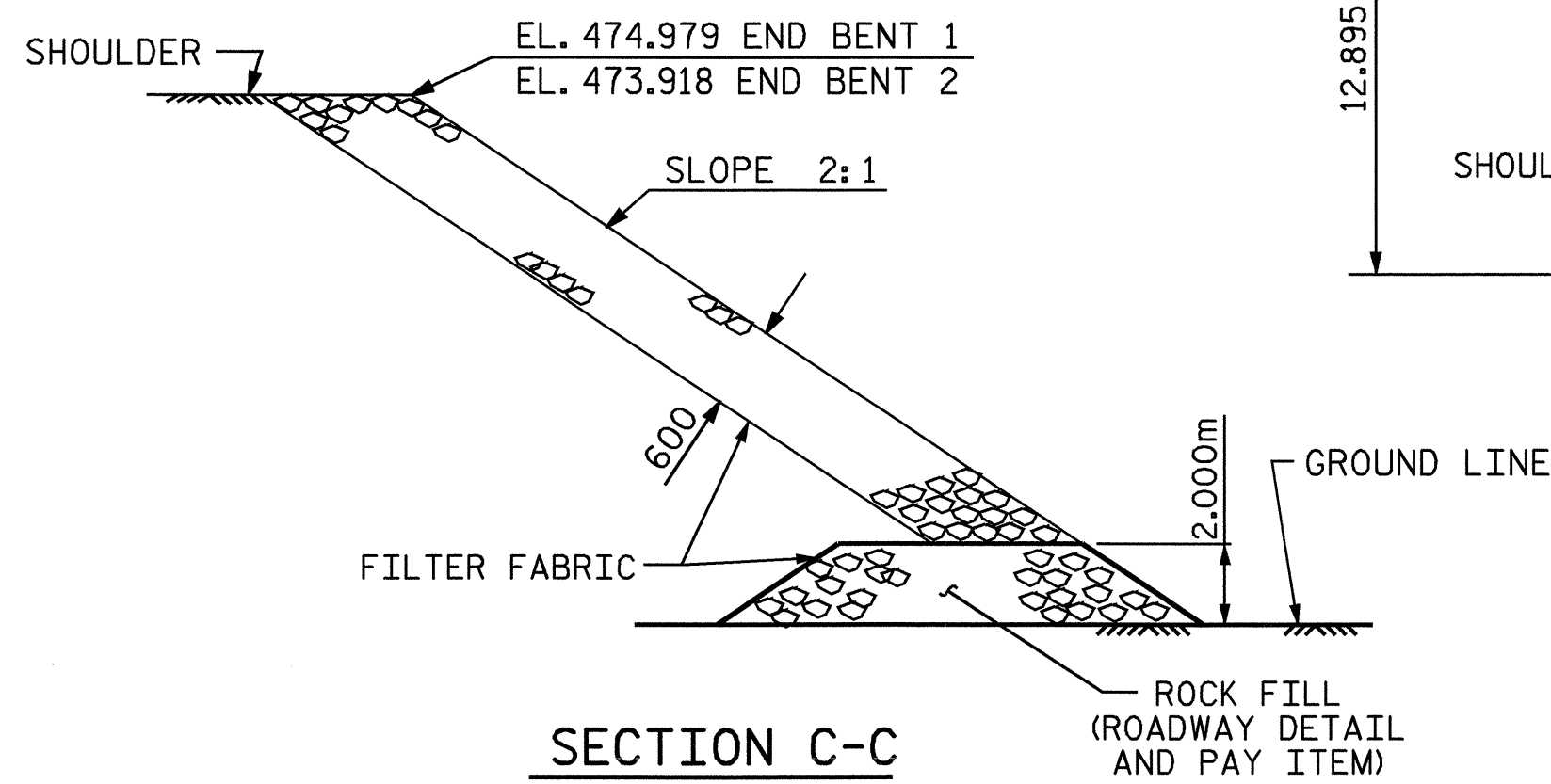


ESTIMATED QUANTITIES		
BRIDGE @ STA. 16+02.300 -LC1B-	PLAIN RIP RAP CLASS II	FILTER FABRIC FOR DRAINAGE
	METRIC TON	SQUARE METERS
END BENT 1	2342	2390
END BENT 2	1862	1900

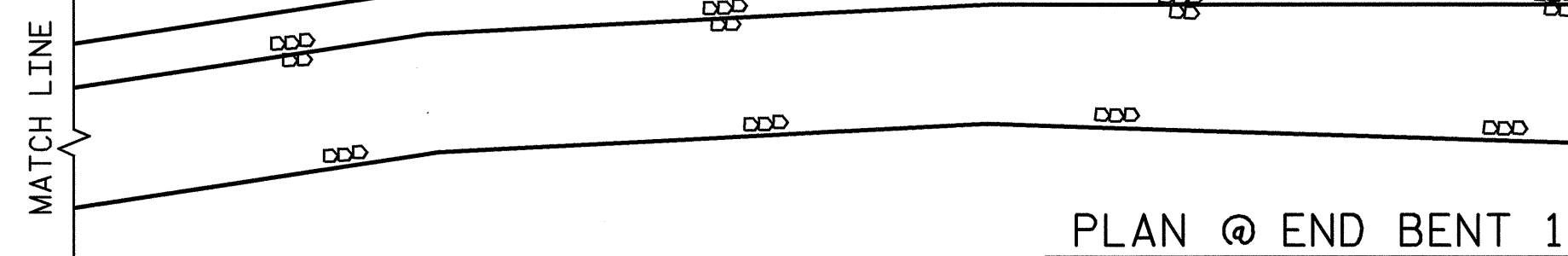
*NOTE: FILTER FABRIC SHALL BE PLACED UNDER ENTIRE AREA OF RIP RAP.



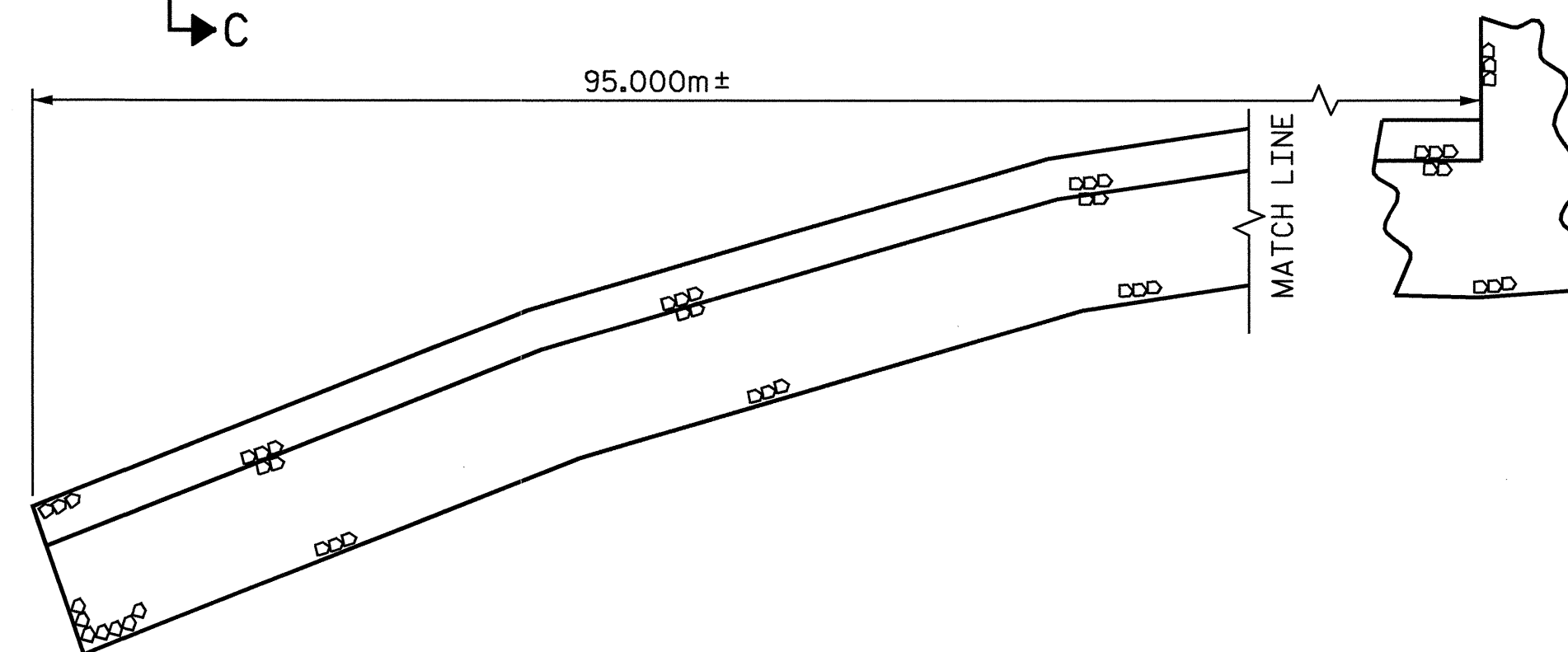
SECTION BERM RIP RAPPED



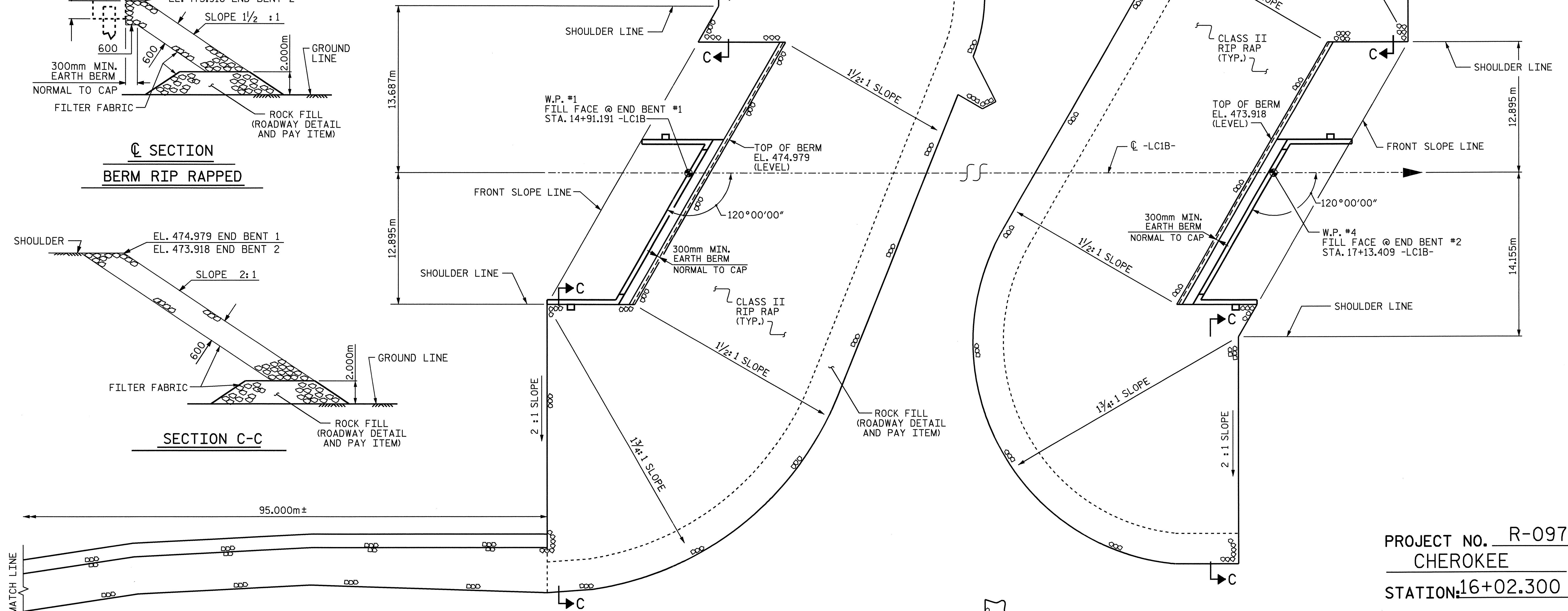
SECTION C-C



PLAN @ END BENT 1

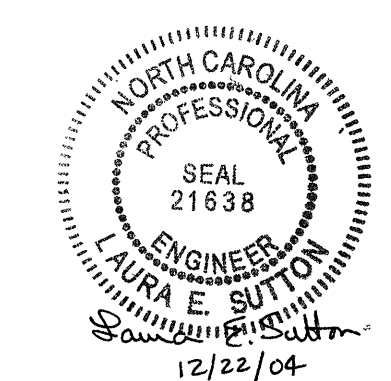


PLAN @ END BENT 2



PROJECT NO. R-0977A
 CHEROKEE COUNTY
 STATION: 16+02.300 -LC1B-

STATE OF NORTH CAROLINA DEPARTMENT OF TRANSPORTATION RALEIGH					
RIP RAP DETAILS					
REVISIONS					
NO.	BY:	DATE:	NO.	BY:	DATE:
1			3		
2			4		



DRAWN BY: A.S. CALLAWAY DATE: 3/19/04
 CHECKED BY: N.Q. TRAN DATE: 12/3/04

21-DEC-2004 07:00
 W:\Squad\l\0977a\str\scallaway\R0977A_sd_RR_01.dgn
 lsutton

STR. #1

SHEET NO.
 S-42
 TOTAL SHEETS
 230