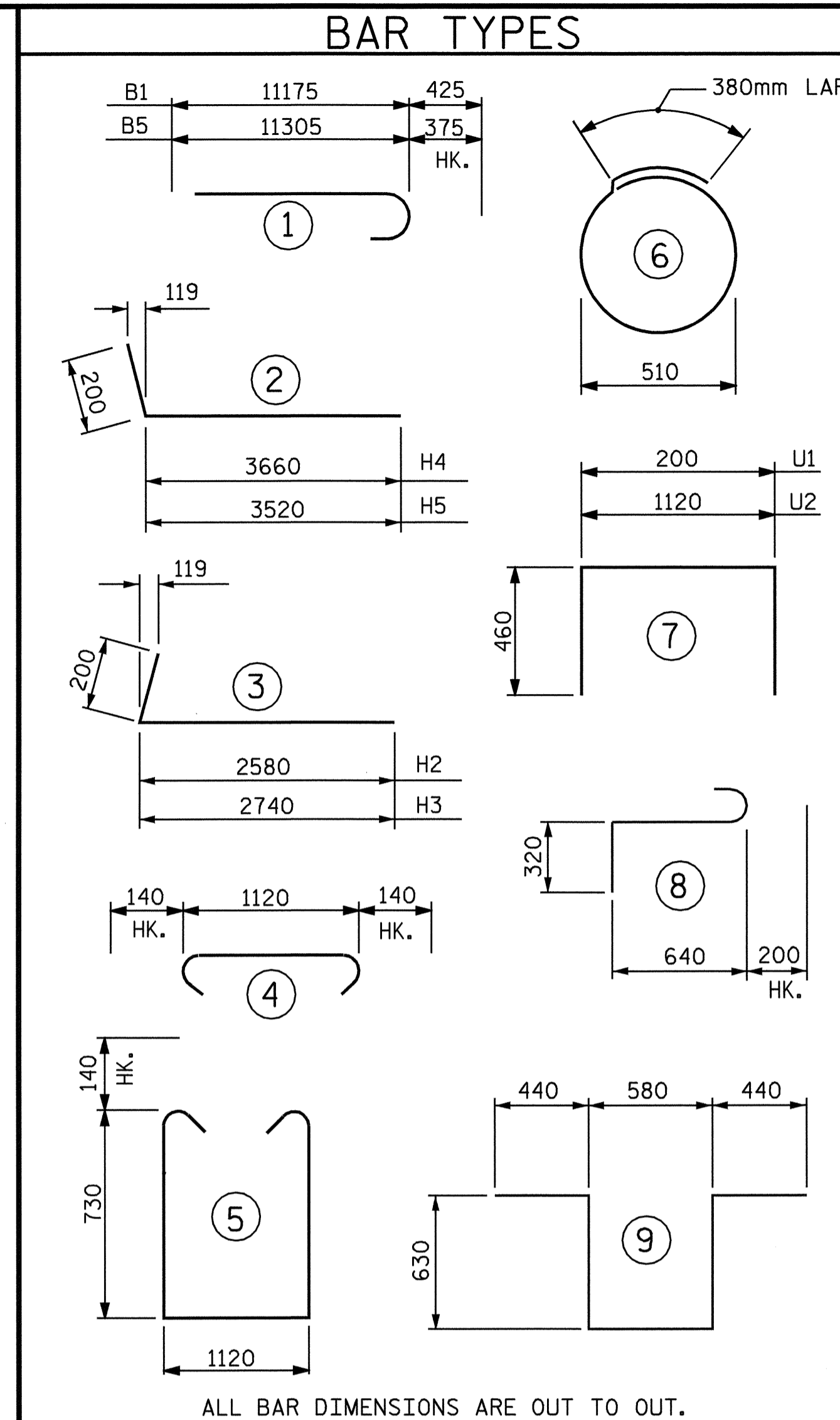
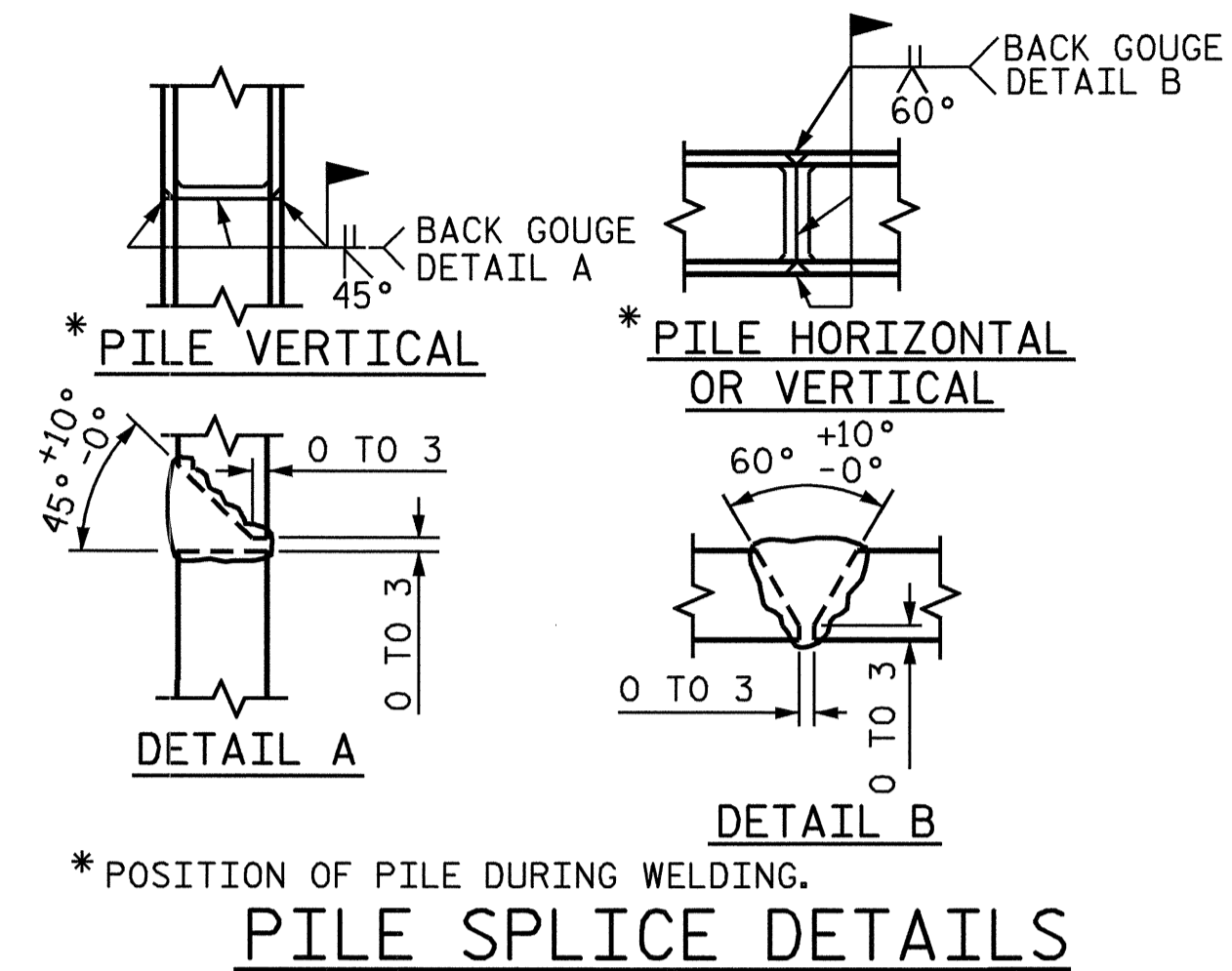
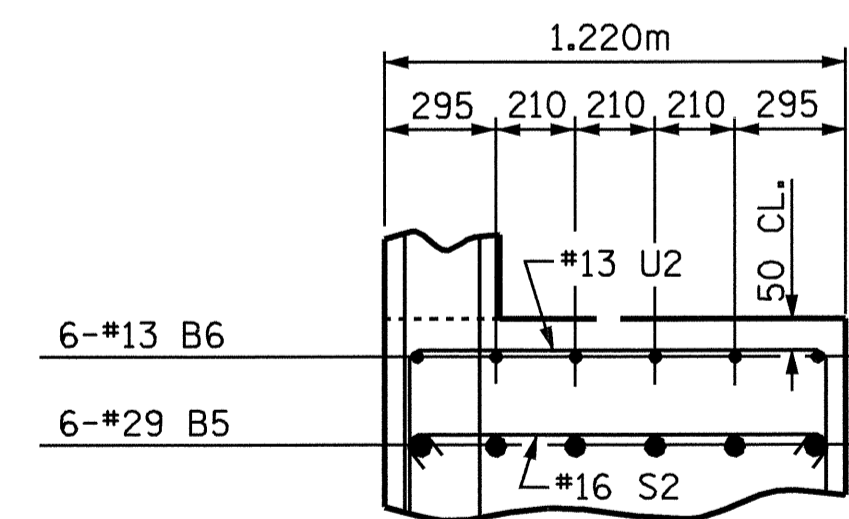
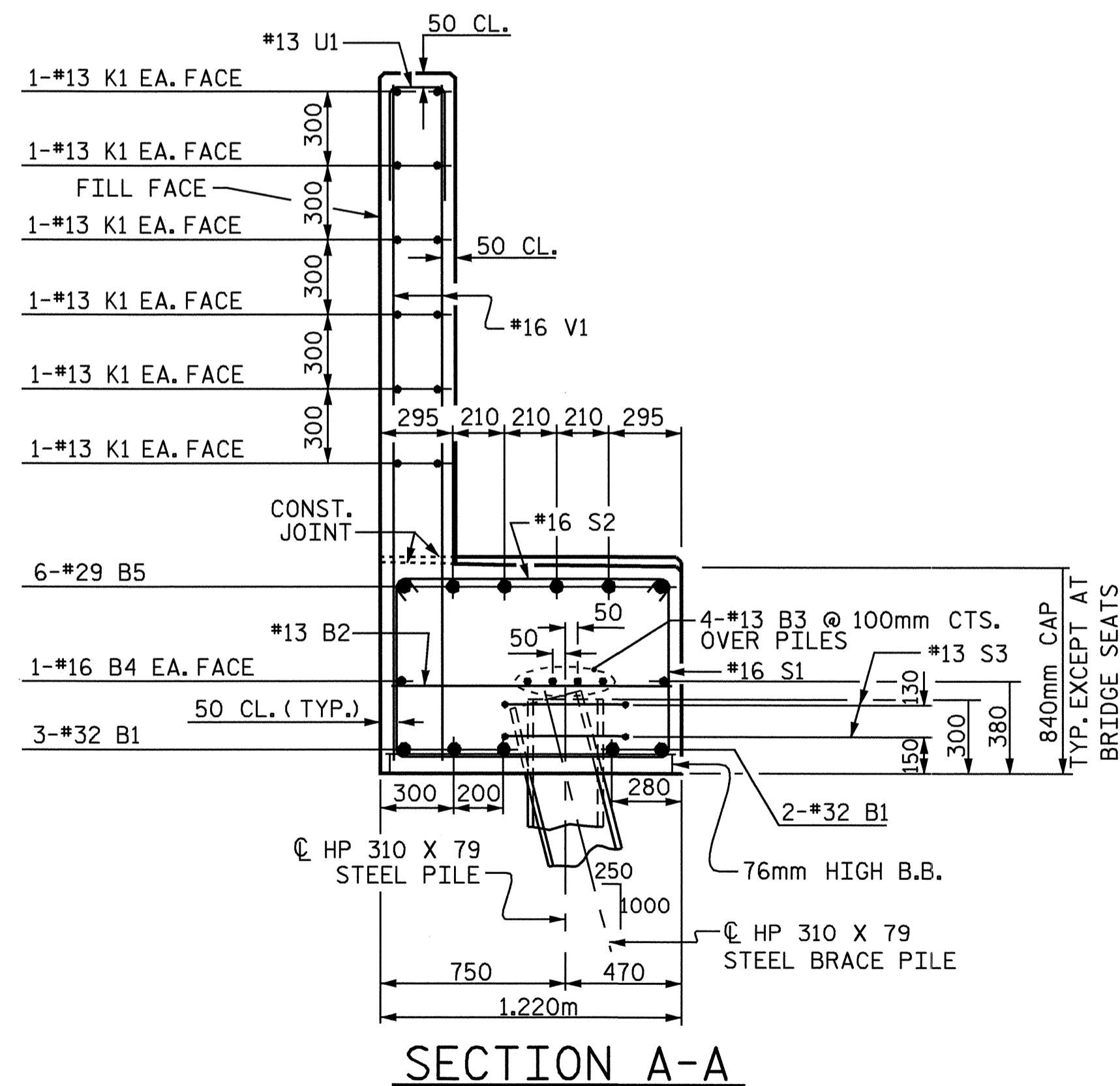


BAGGED STONE AND PIPE SHALL BE PLACED IMMEDIATELY AFTER COMPLETION OF END BENT EXCAVATION. PIPE MAY BE EITHER CONCRETE, CORRUGATED STEEL, CORRUGATED ALUMINUM ALLOY, OR CORRUGATED PLASTIC. PERFORATED PIPE WILL NOT BE ALLOWED.

BAGGED STONE SHALL REMAIN IN PLACE UNTIL THE ENGINEER DIRECTS THAT IT BE REMOVED. THE CONTRACTOR SHALL REMOVE AND DISPOSE OF SILT ACCUMULATIONS AT BAGGED STONE WHEN SO DIRECTED BY THE ENGINEER. BAGS SHALL BE REMOVED AND REPLACED WHENEVER THE ENGINEER DETERMINES THAT THEY HAVE DETERIORATED AND LOST THEIR EFFECTIVENESS.

NO SEPARATE PAYMENT WILL BE MADE FOR THIS WORK AND THE ENTIRE COST OF THIS WORK SHALL BE INCLUDED IN THE UNIT CONTRACT PRICE BID FOR THE SEVERAL PAY ITEMS.

### TEMPORARY DRAINAGE AT END BENT

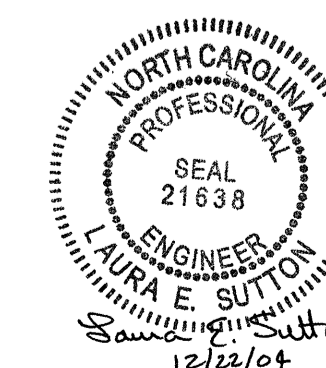


BILL OF MATERIAL					
END BENT 1					
BAR	NO.	SIZE	TYPE	LENGTH	WEIGHT
B1	10	#32	1	11600	743
B2	17	#13	STR	1120	19
B3	12	#13	STR	7120	85
B4	4	#16	STR	10400	65
B5	12	#29	1	11680	709
B6	18	#13	STR	820	15
H1	4	#13	STR	1080	4
H2	10	#16	3	2780	43
H3	10	#13	3	2940	29
H4	10	#13	2	3860	38
H5	10	#13	2	3720	37
K1	36	#13	STR	7120	255
S1	62	#16	4	2860	275
S2	62	#16	5	1400	135
S3	26	#13	6	1980	51
S5	3	#19	8	1160	8
S6	1	#19	9	2720	6
U1	58	#13	7	1120	65
U2	9	#13	7	2040	18
V1	116	#16	STR	2640	475
V2	26	#16	STR	3060	123
V3	32	#16	STR	3080	153
REINFORCING STEEL					kg 3351
CLASS A CONCRETE BREAKDOWN					
POUR #1 (CAP & WINGS)				C.M.	22.8
POUR #2 (BACKWALL & WINGS)				C.M.	16.2
TOTAL				C.M.	39.0
HP 310 x 79 STEEL PILES					
NO. 14					METERS 182.0

PROJECT NO. R-0977A  
 CHEROKEE COUNTY  
 STATION: 18+31.299-LC1B2-

SHEET 3 OF 3

STATE OF NORTH CAROLINA  
 DEPARTMENT OF TRANSPORTATION  
 RALEIGH  
 SUBSTRUCTURE  
 END BENT 1



DRAWN BY: A.S. CALLAWAY DATE: 6/18/04  
 CHECKED BY: J.P. ADAMS DATE: 9/23/04

20-DEC-2004 16:42  
 W:\SquadL\R0977a\str2\scallaway\R0977a\_sd.El.02.dgn  
 lsut10n

REVISIONS				SHEET NO.	
NO.	BY:	DATE:	NO.	BY:	DATE:
1			3		
2			4		
TOTAL SHEETS					230

STR. #2