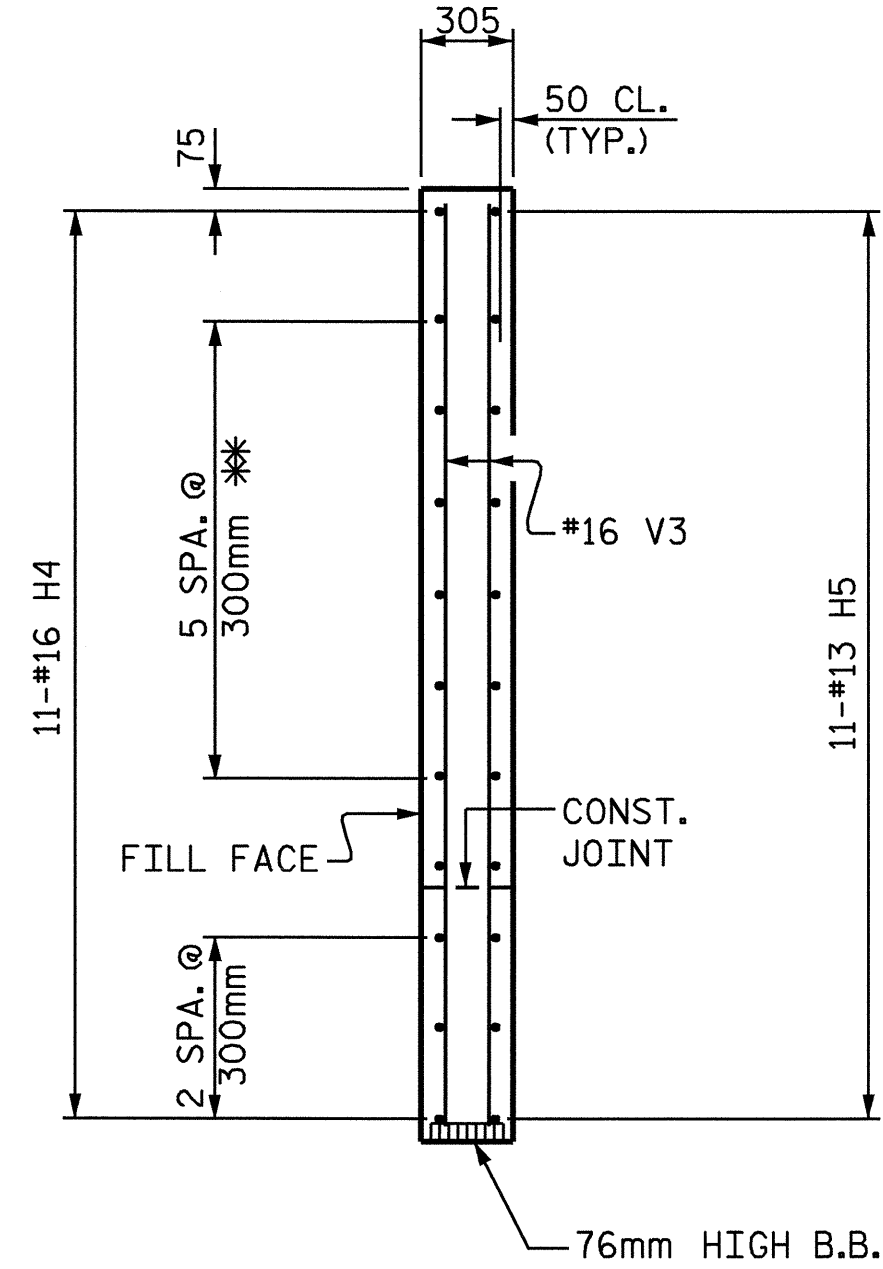
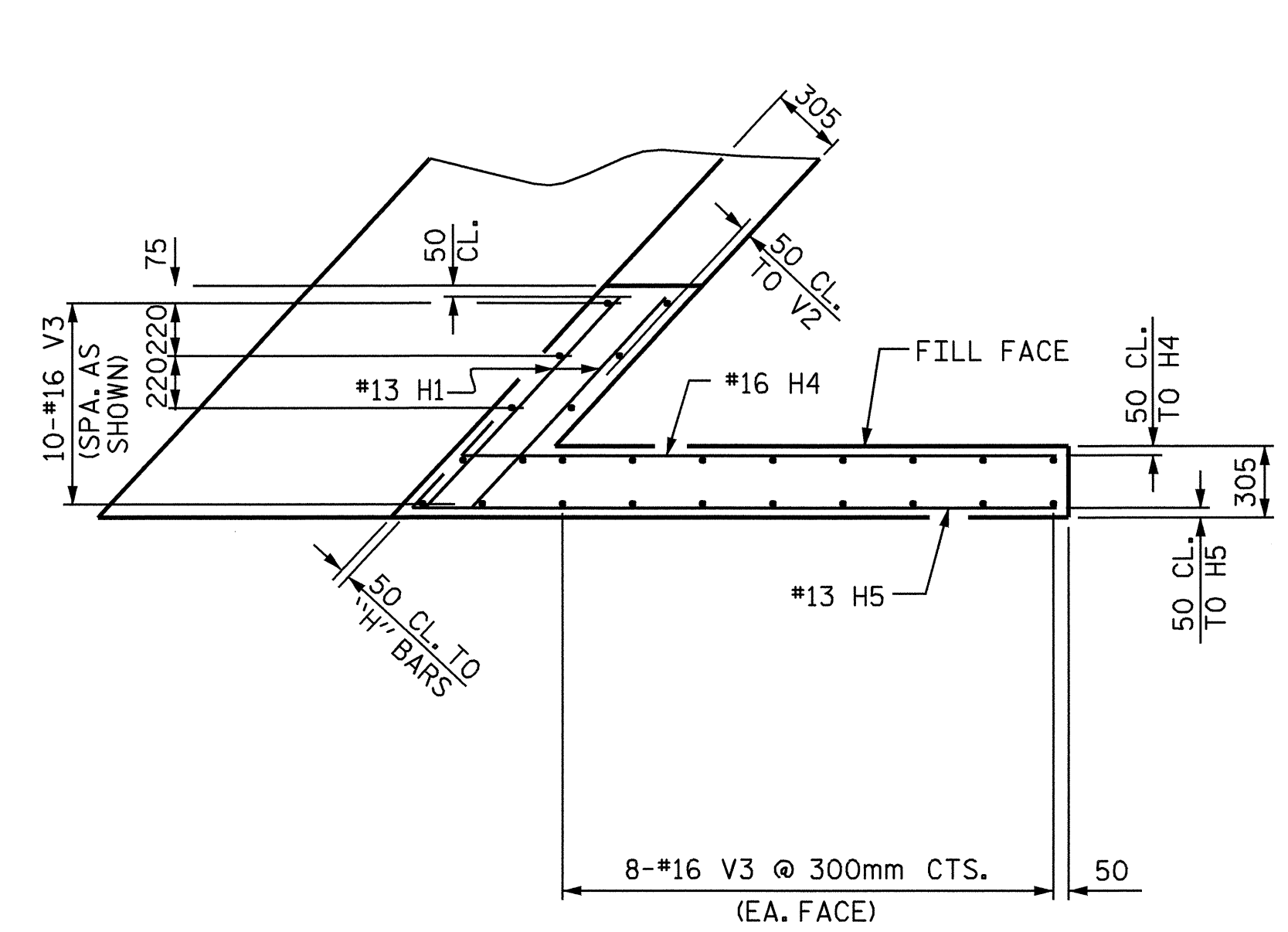


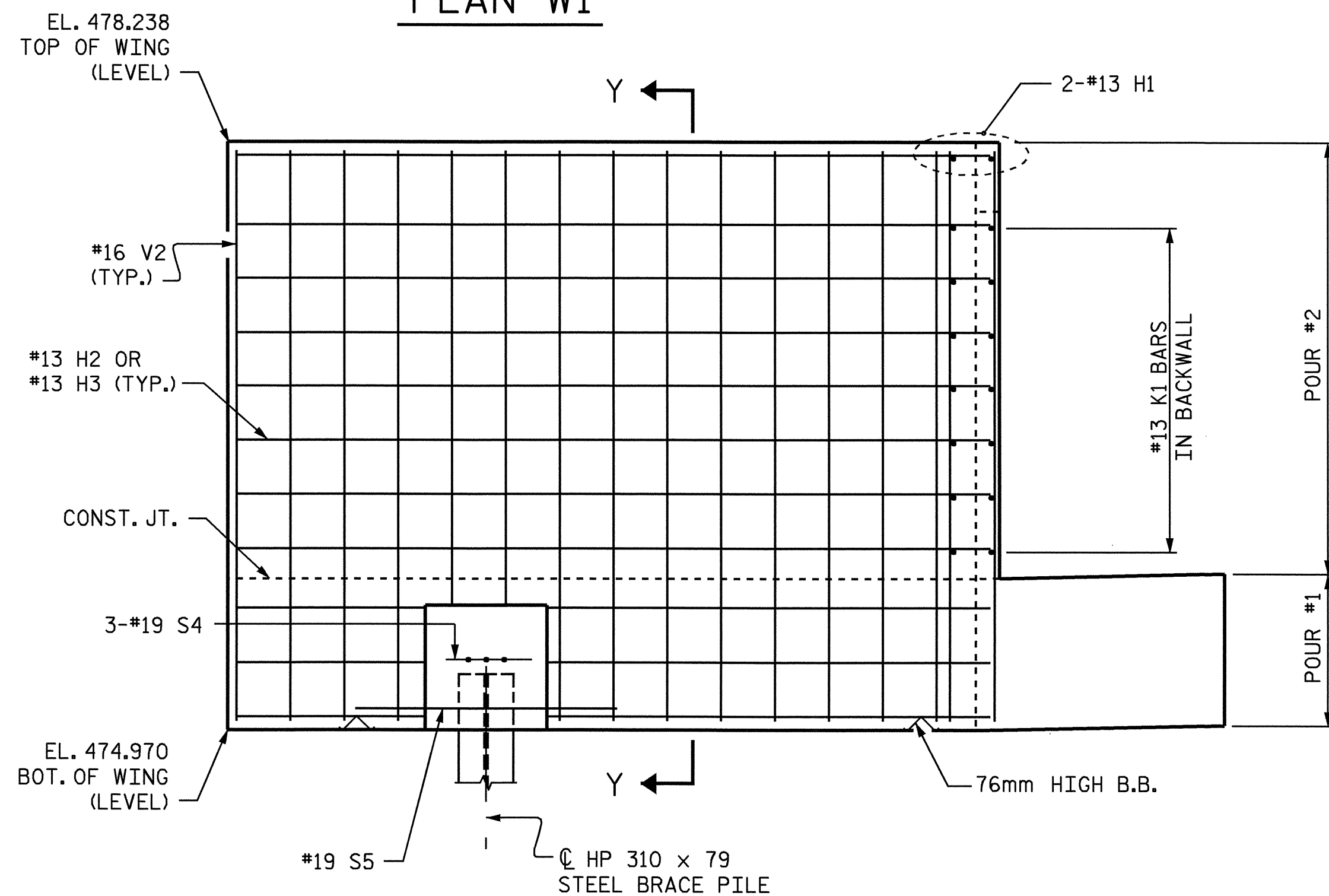
PLAN W1



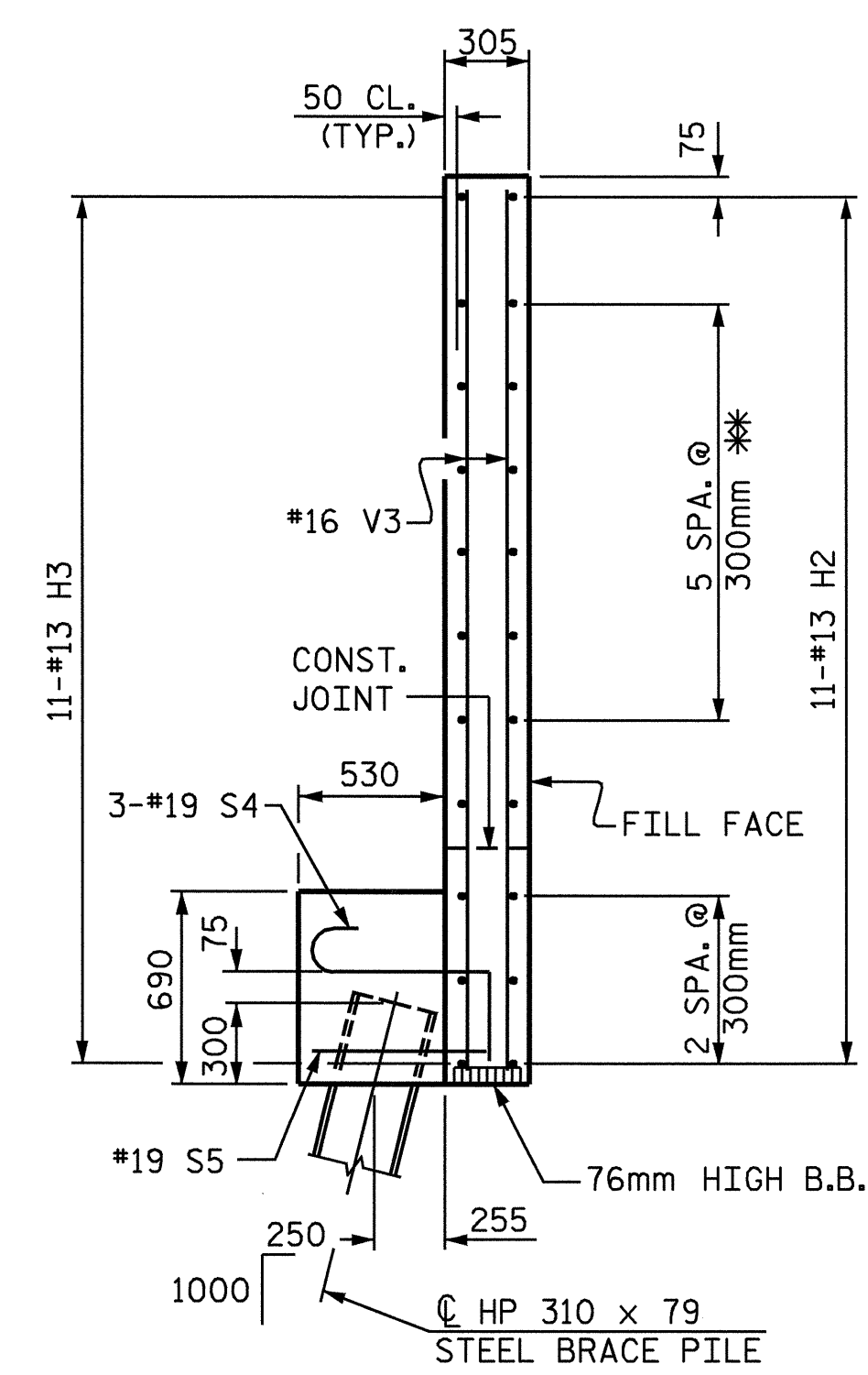
SECTION X-X



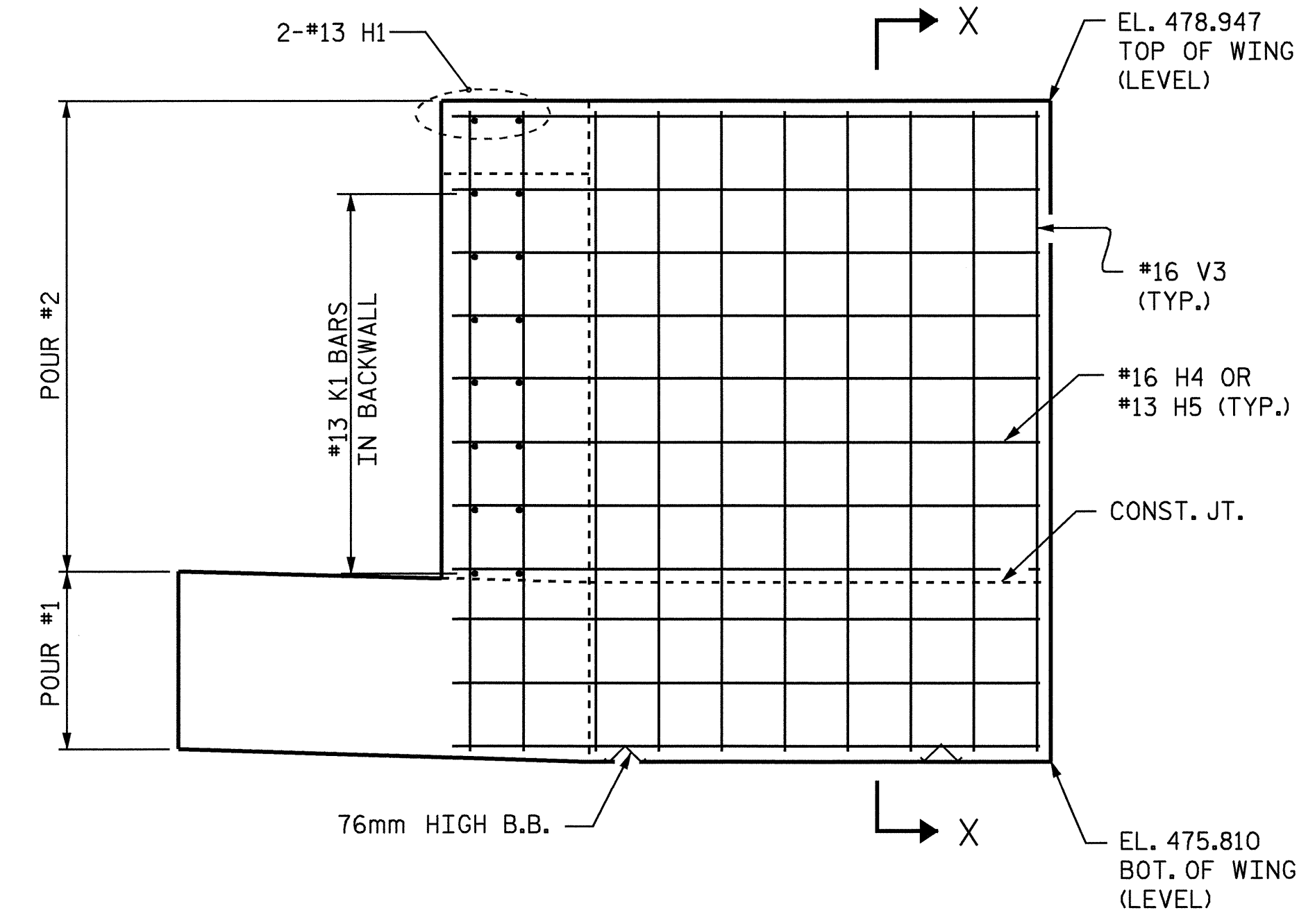
PLAN W2



ELEVATION W1



SECTION Y-Y



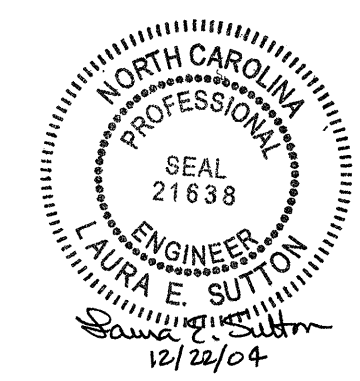
ELEVATION W2

* MATCH TO "K" BARS IN BACKWALL.

PROJECT NO. R-0977A
 CHEROKEE COUNTY
 STATION: 18+31.299-LC1B-

SHEET 2 OF 3

STATE OF NORTH CAROLINA DEPARTMENT OF TRANSPORTATION RALEIGH					
SUBSTRUCTURE END BENT 2					
REVISIONS					
NO.	BY:	DATE:	NO.	BY:	DATE:
1			3		
2			4		
SHEET NO. S-70					TOTAL SHEETS 230



DRAWN BY: A.S. CALLAWAY DATE: 6/21/04
 CHECKED BY: J.P. ADAMS DATE: 9/23/04