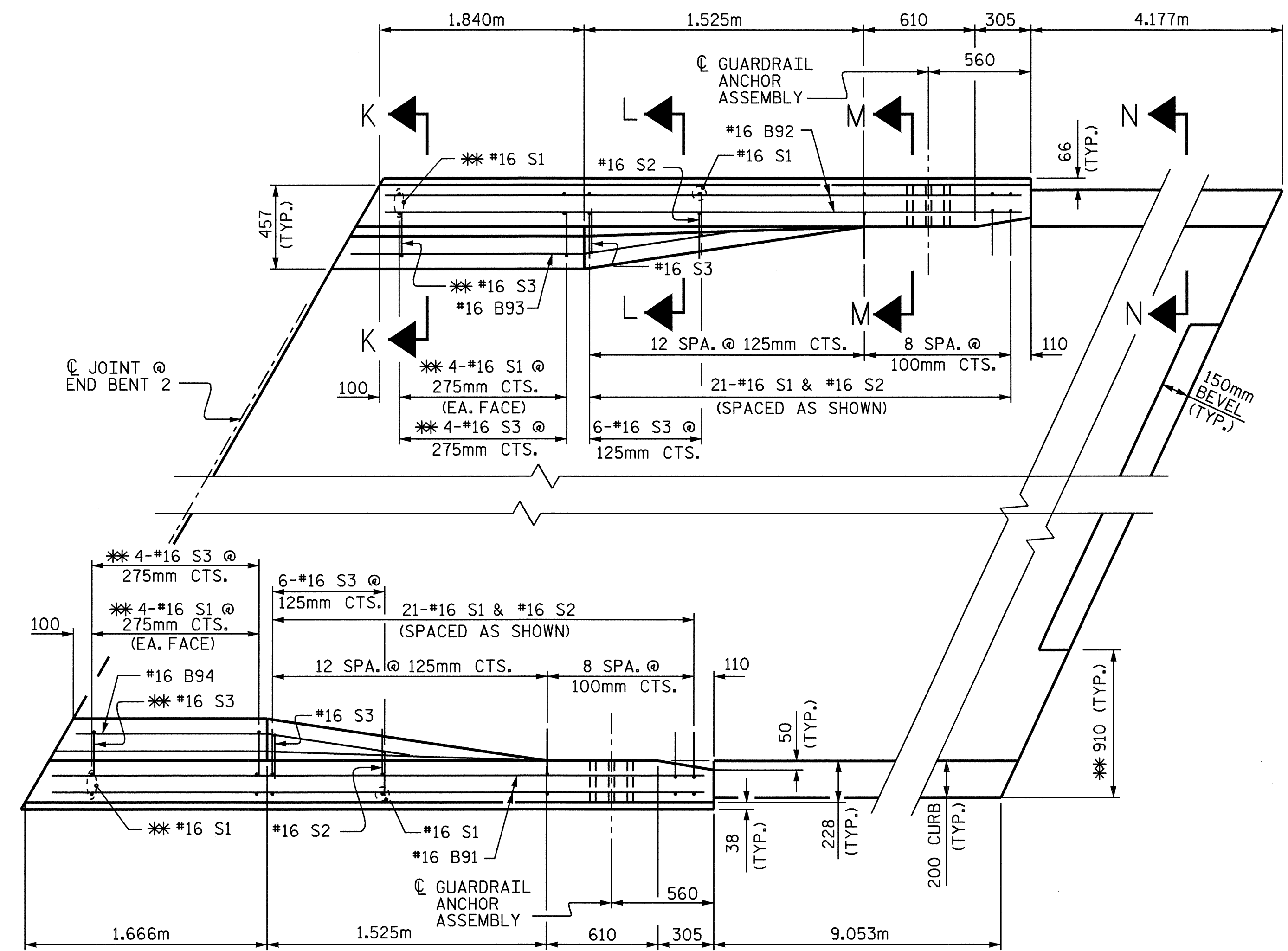
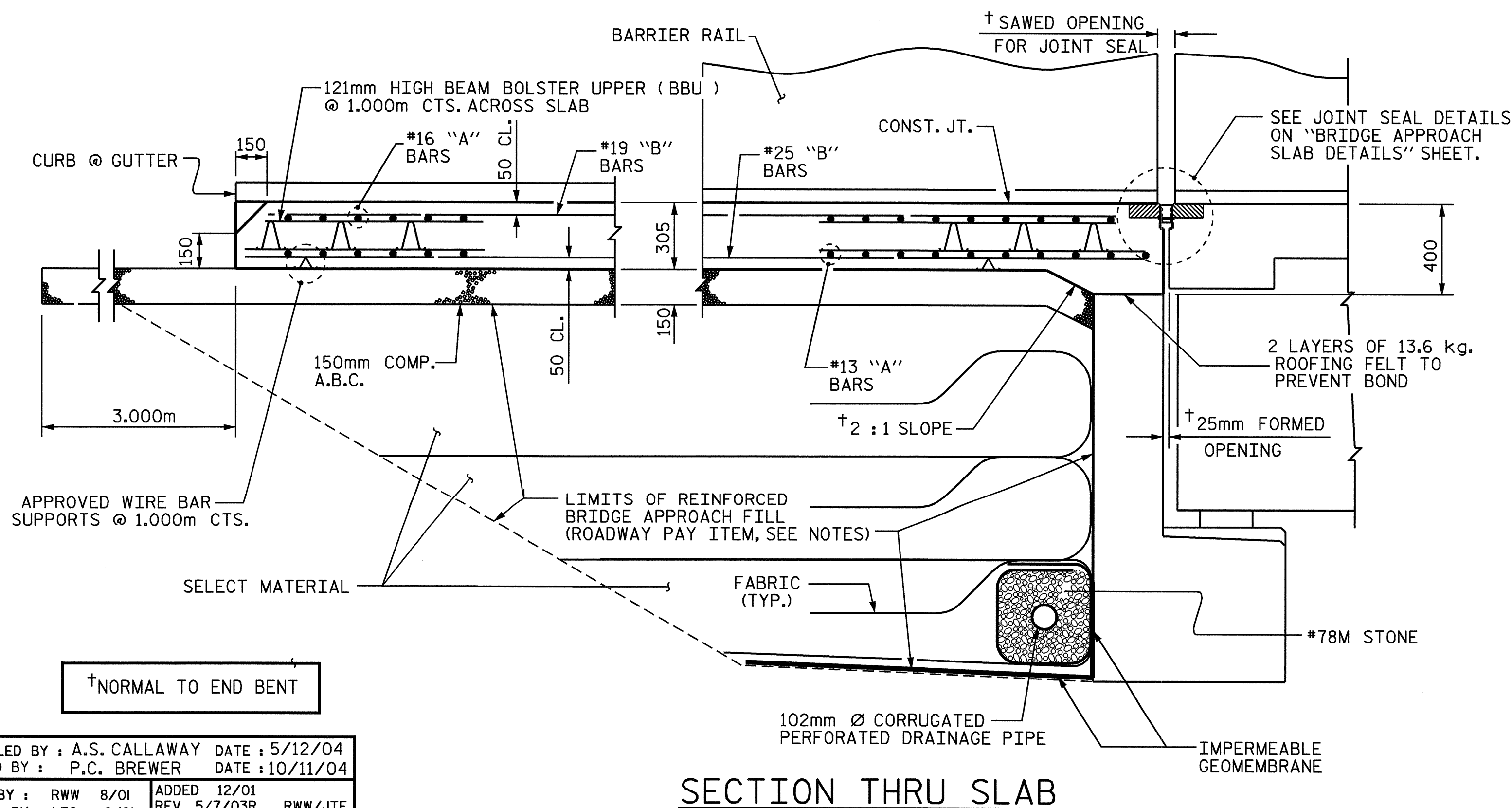


PLAN @ END BENT 1

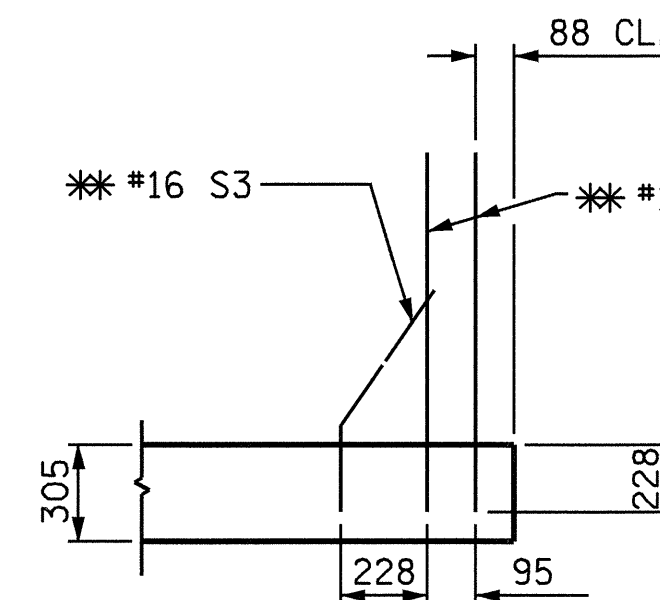


PLAN @ END BENT 2

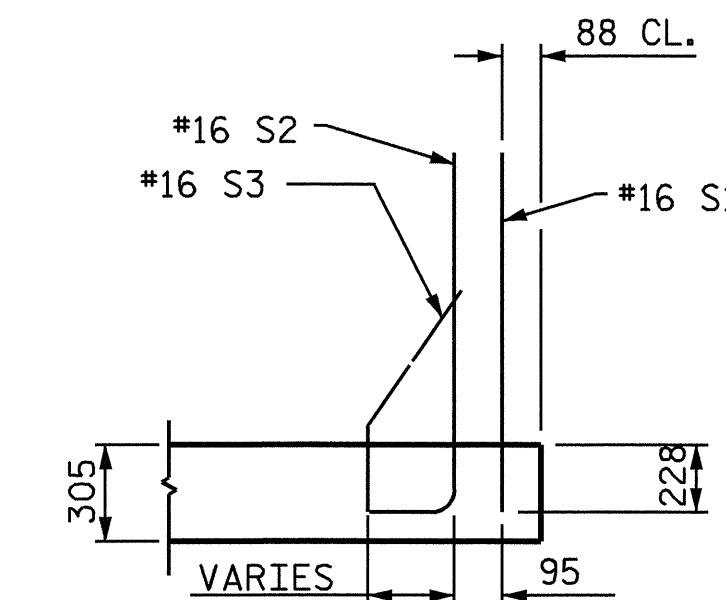
** MEASURED RADIALLY



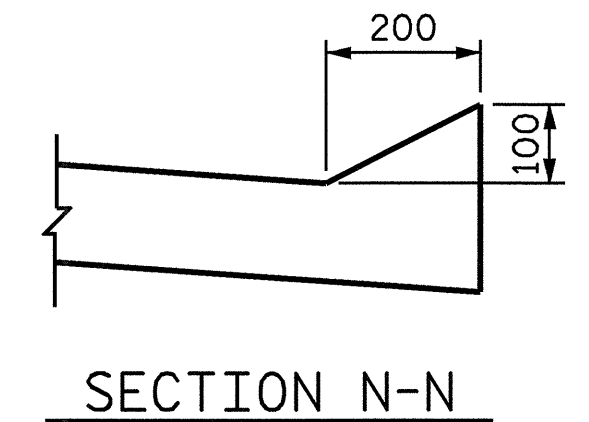
SECTION THRU SLAB



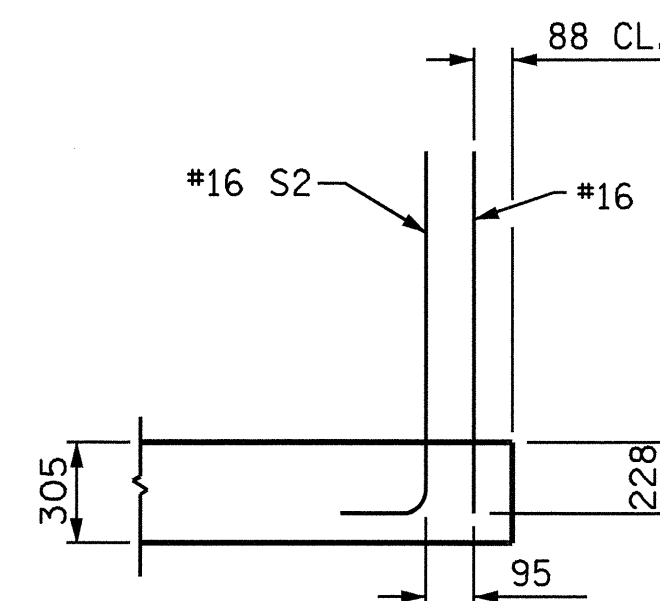
SECTION K-K
** ADHESIVELY ANCHORED



SECTION L-L



SECTION N-N



SECTION M-M

ASSEMBLED BY : A.S. CALLAWAY DATE : 5/12/04
 CHECKED BY : P.C. BREWER DATE : 10/11/04
 DRAWN BY : RWW 8/01
 CHECKED BY : LES 8/01

ADDED 12/01
 REV. 5/7/03R RWW/JTE

20-DEC-2004 16:41
 W:\SquadL\0977a\str2\scallaway\R0977A.sd.AS.02.dgn
 Isuttion



PROJECT NO. R-0977A
 CHEROKEE COUNTY
 STATION: 18+31.299-LC1B2-

SHEET 3 OF 6

STATE OF NORTH CAROLINA
 DEPARTMENT OF TRANSPORTATION
 RALEIGH
 STANDARD
 BRIDGE APPROACH SLAB
 FOR FLEXIBLE PAVEMENT
 WITH BARRIER RAIL

REVISIONS						SHEET NO.
NO.	BY:	DATE:	NO.	BY:	DATE:	S-75
1			3			TOTAL SHEETS 230
2			4			

STR. #2

STD. NO. BAS5SM