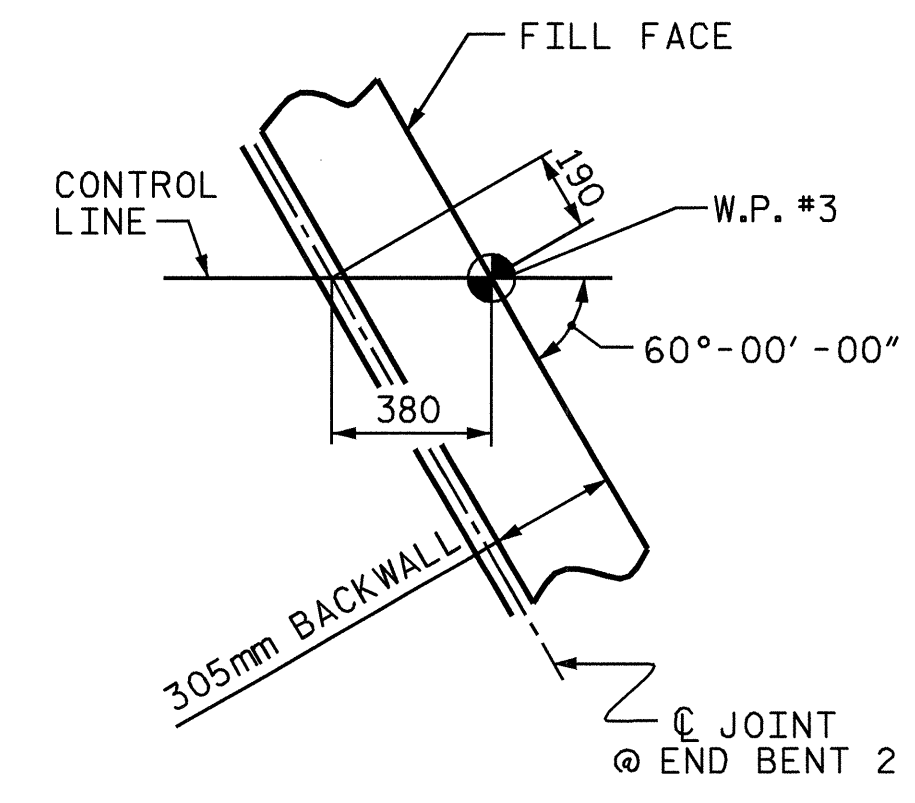


TRANSVERSE CONSTRUCTION JOINT DETAIL

NOTE: REINFORCING STEEL IN SLAB NOT SHOWN. LONGITUDINAL REINFORCING STEEL SHALL BE CONTINUOUS THRU JOINT.

PLAN OF SPAN B

THE #13 J1 BARS ARE TO BE PLACED AS SPECIFIED ON THE "EXPANSION JOINT DETAILS" SHEET.

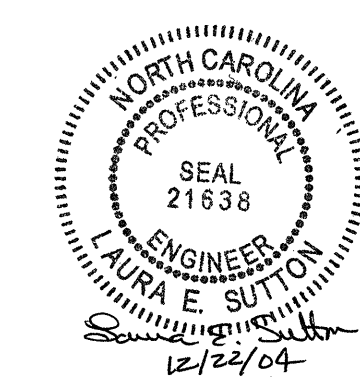


DETAIL B

PROJECT NO. R-0977A
CHEROKEE COUNTY
 STATION: 24+60.500-LC1B-

SHEET 2 OF 2

STATE OF NORTH CAROLINA
 DEPARTMENT OF TRANSPORTATION
 RALEIGH
 SUPERSTRUCTURE
 PLAN OF SPANS



| REVISIONS | | | | | | SHEET NO. |
|-----------|-----|-------|-----|-----|-------|--------------|
| NO. | BY: | DATE: | NO. | BY: | DATE: | S-85 |
| 1 | | | 3 | | | TOTAL SHEETS |
| 2 | | | 4 | | | 230 |

DRAWN BY: B.N.BARODAWALA DATE: 10-9-03
 CHECKED BY: MIKE ALLEN DATE: 10-04