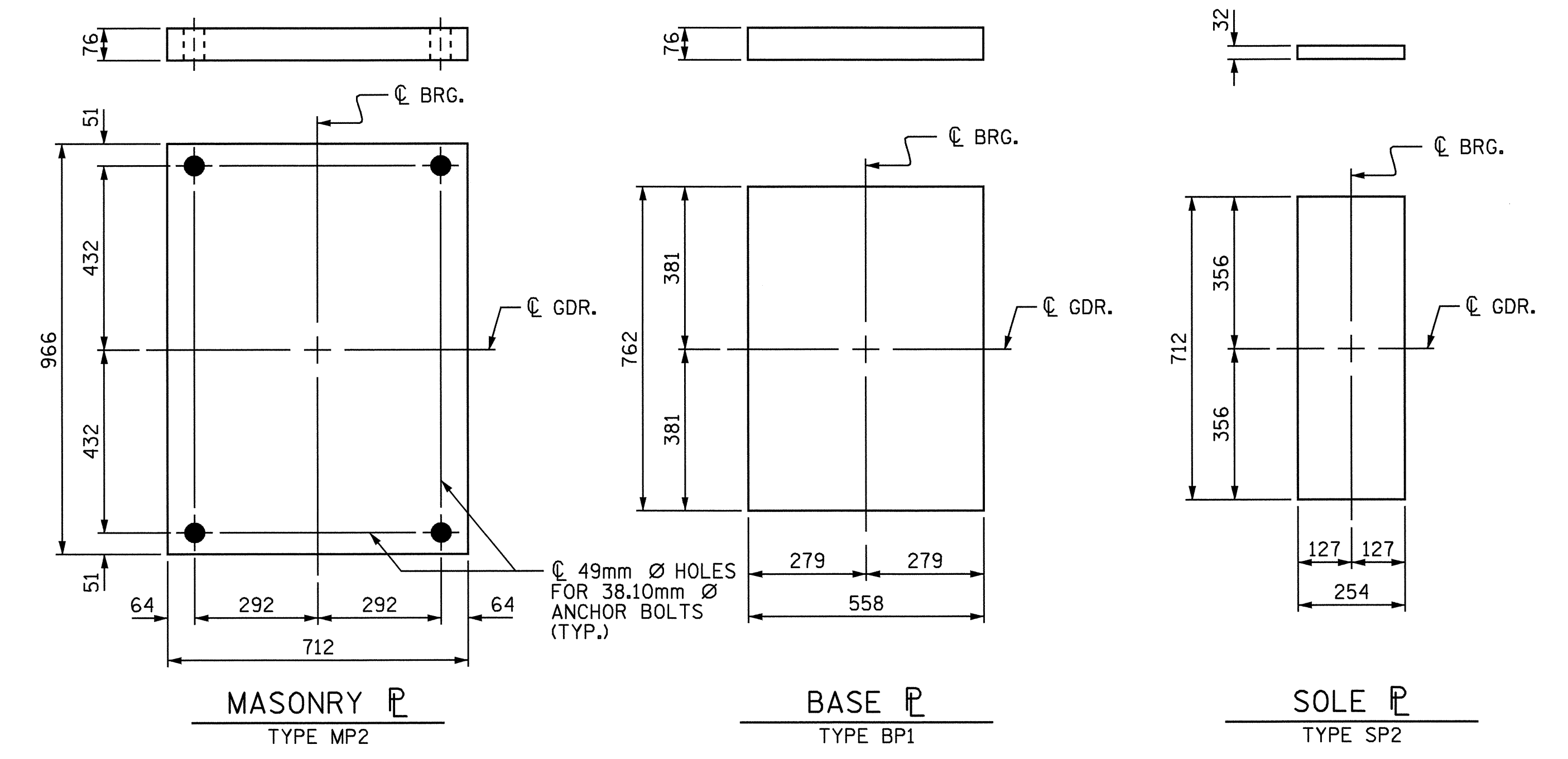
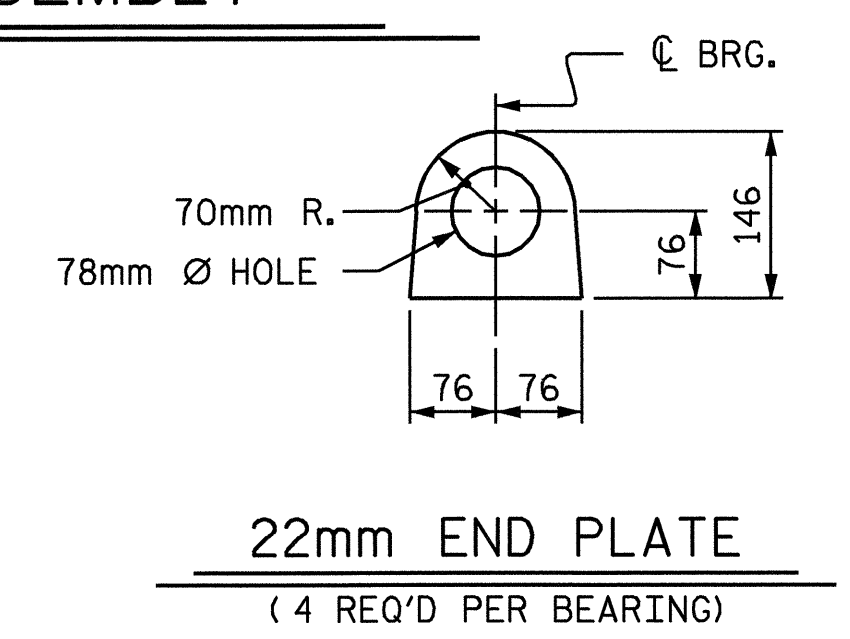
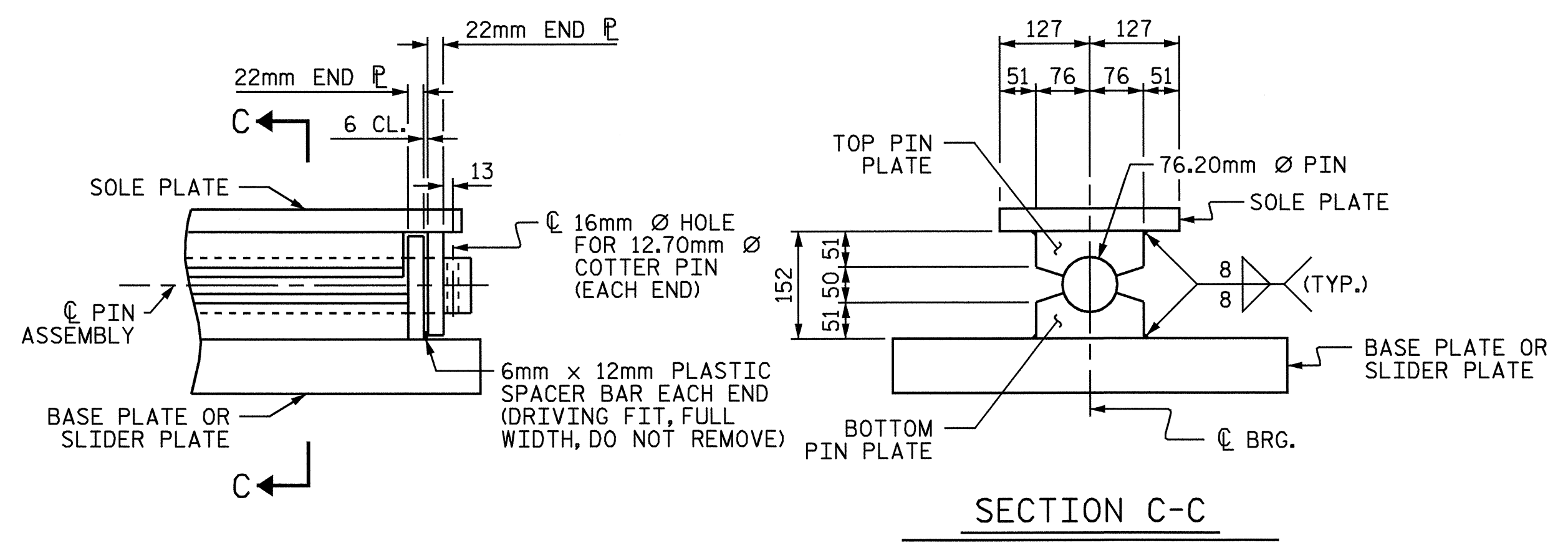
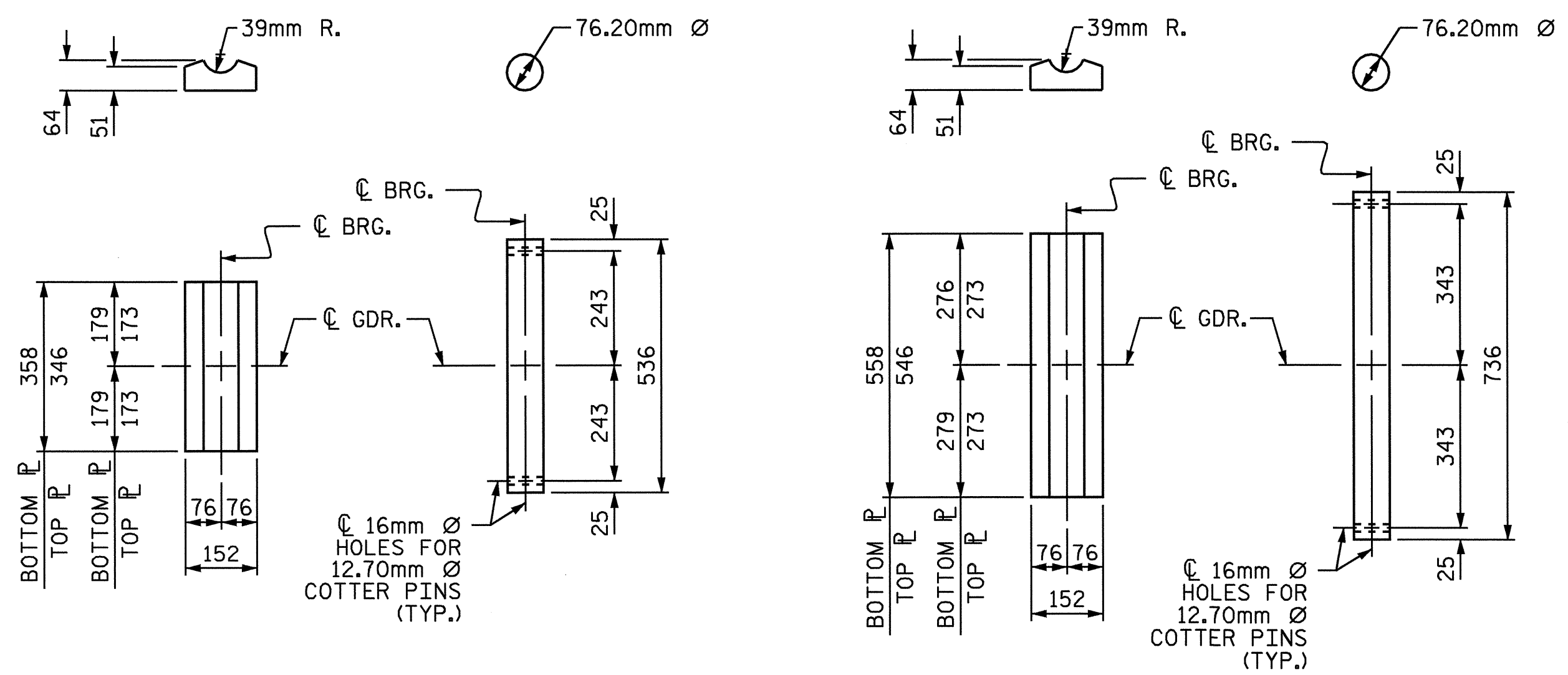


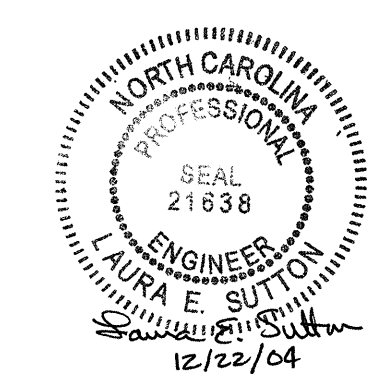
PR1 - EXPANSION BEARING ASSEMBLY
(8 REQ'D)



PR2 - FIXED BEARING ASSEMBLY
(4 REQ'D)



PROJECT NO. R-0977A
CHEROKEE COUNTY
 STATION: 24+60.500-LC1B-
 SHEET 2 OF 2



STATE OF NORTH CAROLINA DEPARTMENT OF TRANSPORTATION RALEIGH					SHEET NO.
PIN ROCKER BEARING DETAILS					S-95
REVISIONS					TOTAL SHEETS
NO.	BY:	DATE:	NO.	BY:	DATE:
1			3		
2			4		
					230

DRAWN BY: L.E. SUTTON DATE: 10/15/04
 CHECKED BY: M.A. ALLEN DATE: 10/25/04