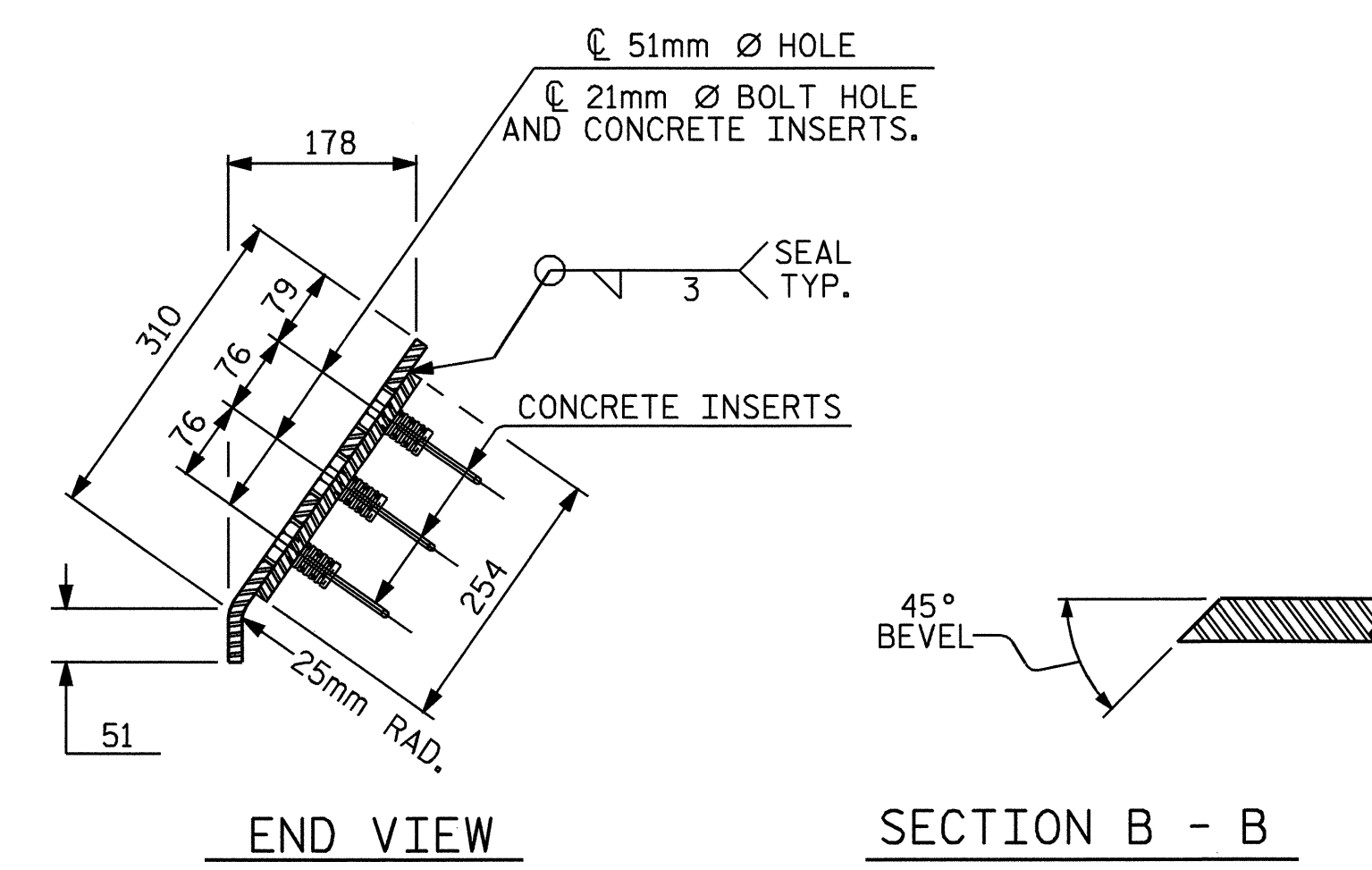
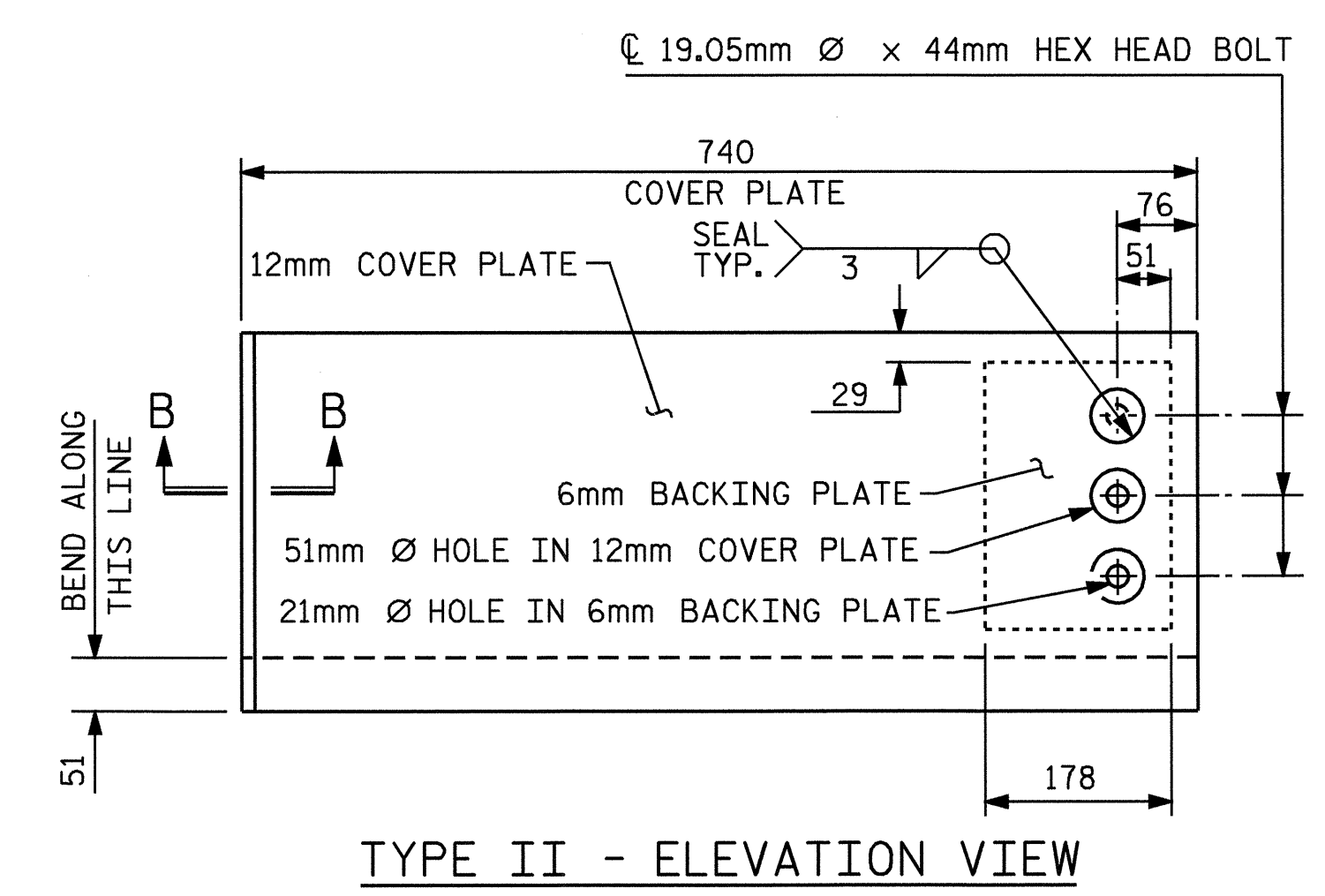


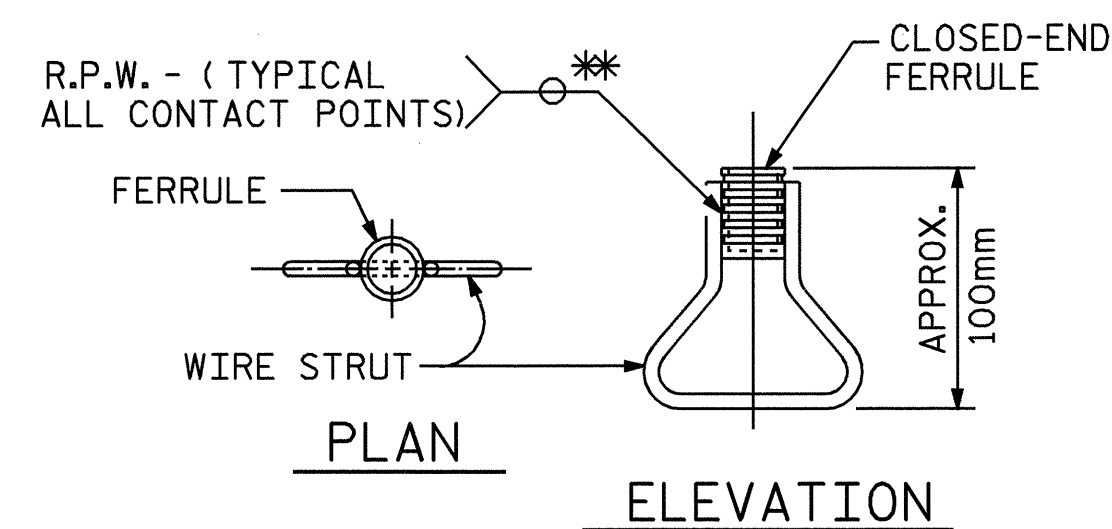
**SECTION THRU RAIL NORMAL TO JOINT**



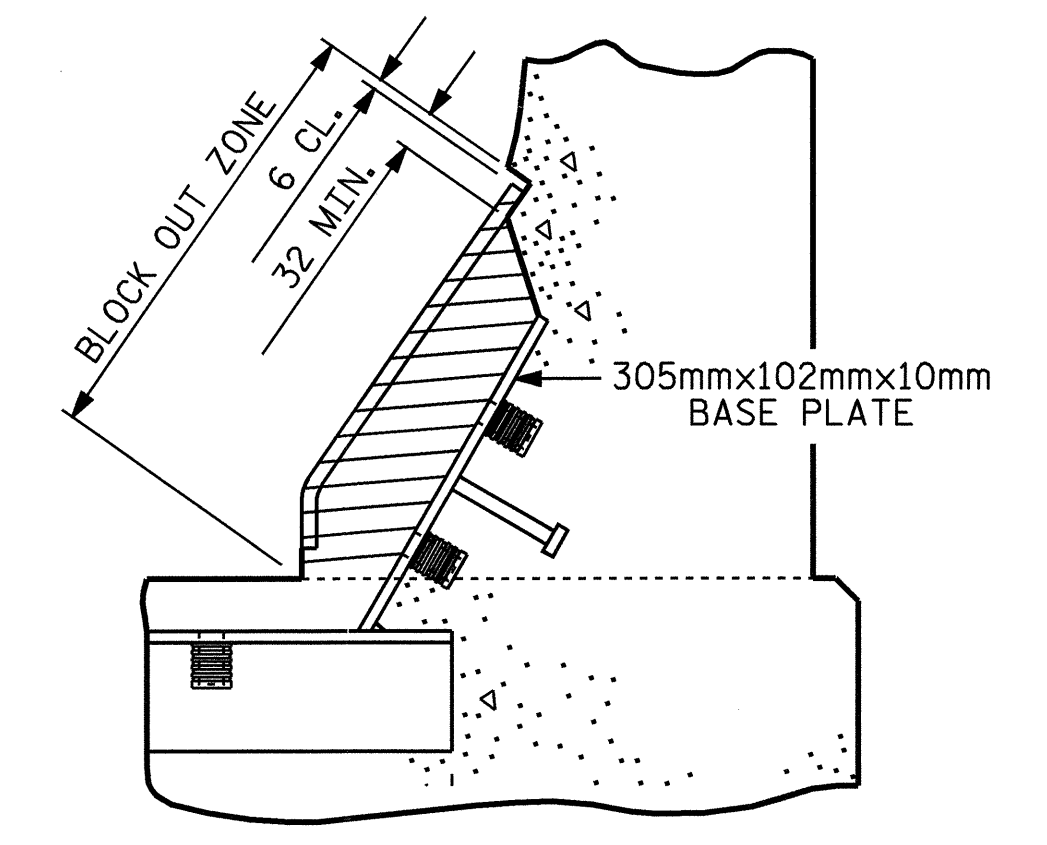
**COVER PLATE DETAILS**



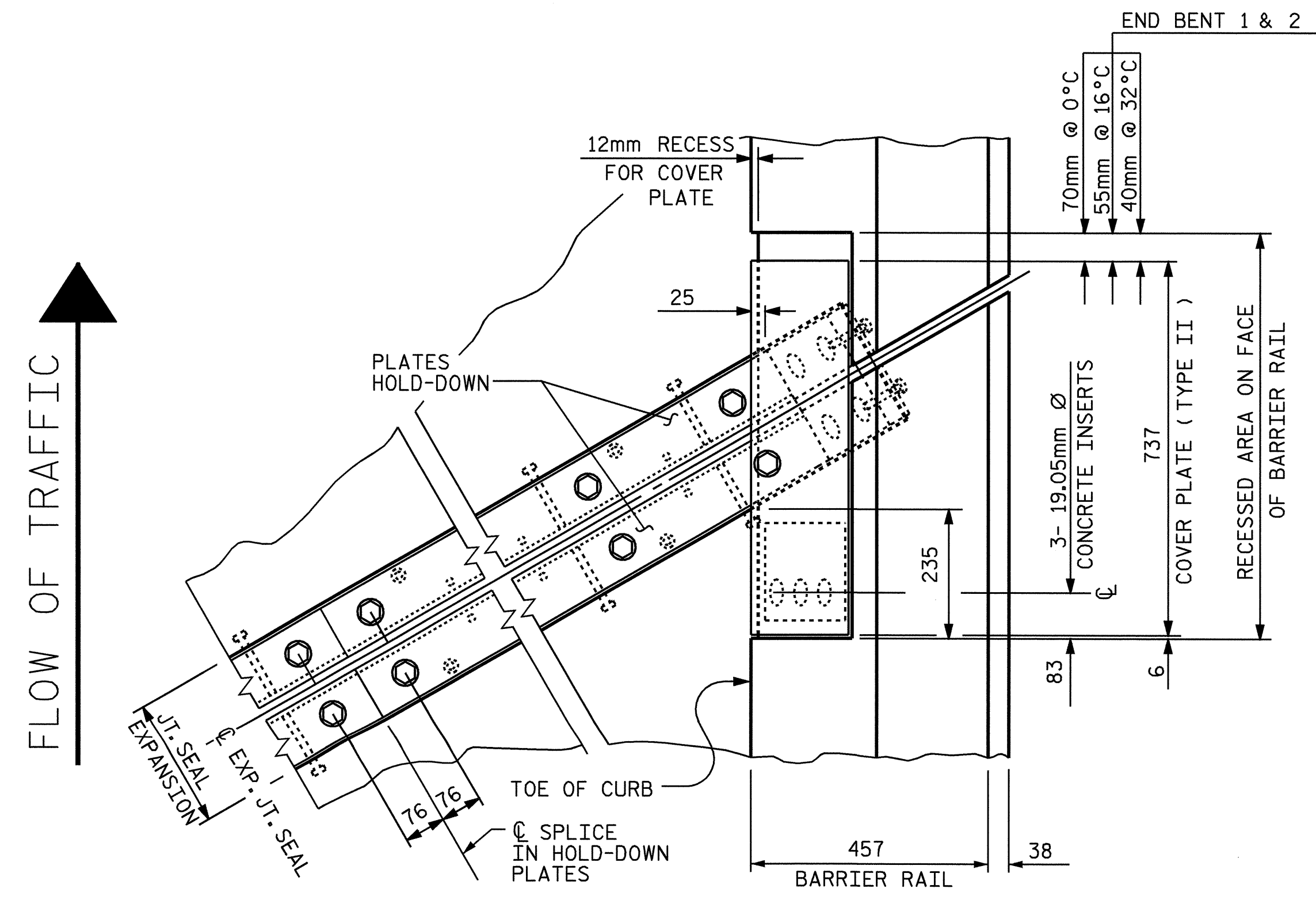
**TYPE II - ELEVATION VIEW**



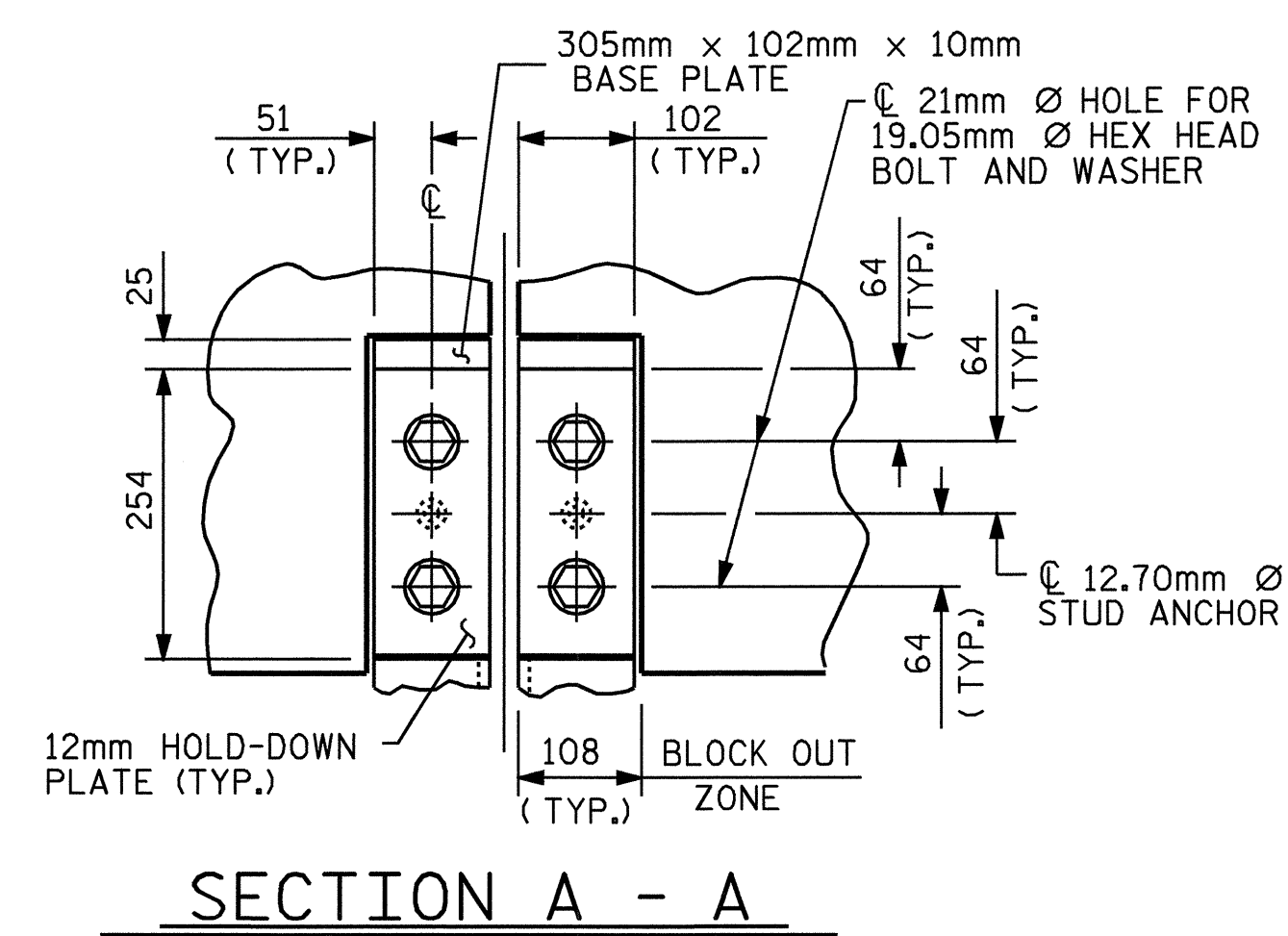
**CONCRETE INSERT**



**BLOCK OUT DETAIL**



**PLAN OF EXPANSION JOINT SEAL - RIGHT SIDE**

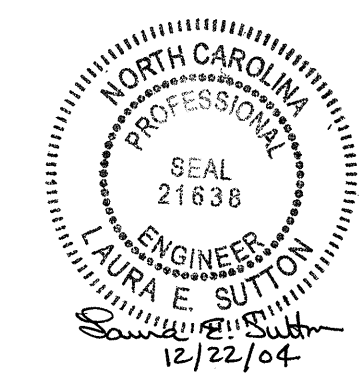


**SECTION A - A**

PROJECT NO. R-0977A  
CHEROKEE COUNTY  
 STATION: 24+60.500-LC1B-

SHEET 3 OF 3

STATE OF NORTH CAROLINA DEPARTMENT OF TRANSPORTATION RALEIGH					
<b>STANDARD EXPANSION JOINT SEAL DETAILS FOR BARRIER RAIL</b>					
REVISIONS					
NO.	BY:	DATE:	NO.	BY:	DATE:
1			3		
2			4		
					SHEET NO. S-107
					TOTAL SHEETS 230



ASSEMBLED BY : B.N.BARODAWALA	DATE : 8-10-04
CHECKED BY : MIKE ALLEN	DATE : 8-04
DRAWN BY : REK	9/87
CHECKED BY : CRK	10/87
REV. 5/16/97	EEM/RGW
REV. 7/17/98	RWW/LES
REV. 10/17/00	RWW/LES