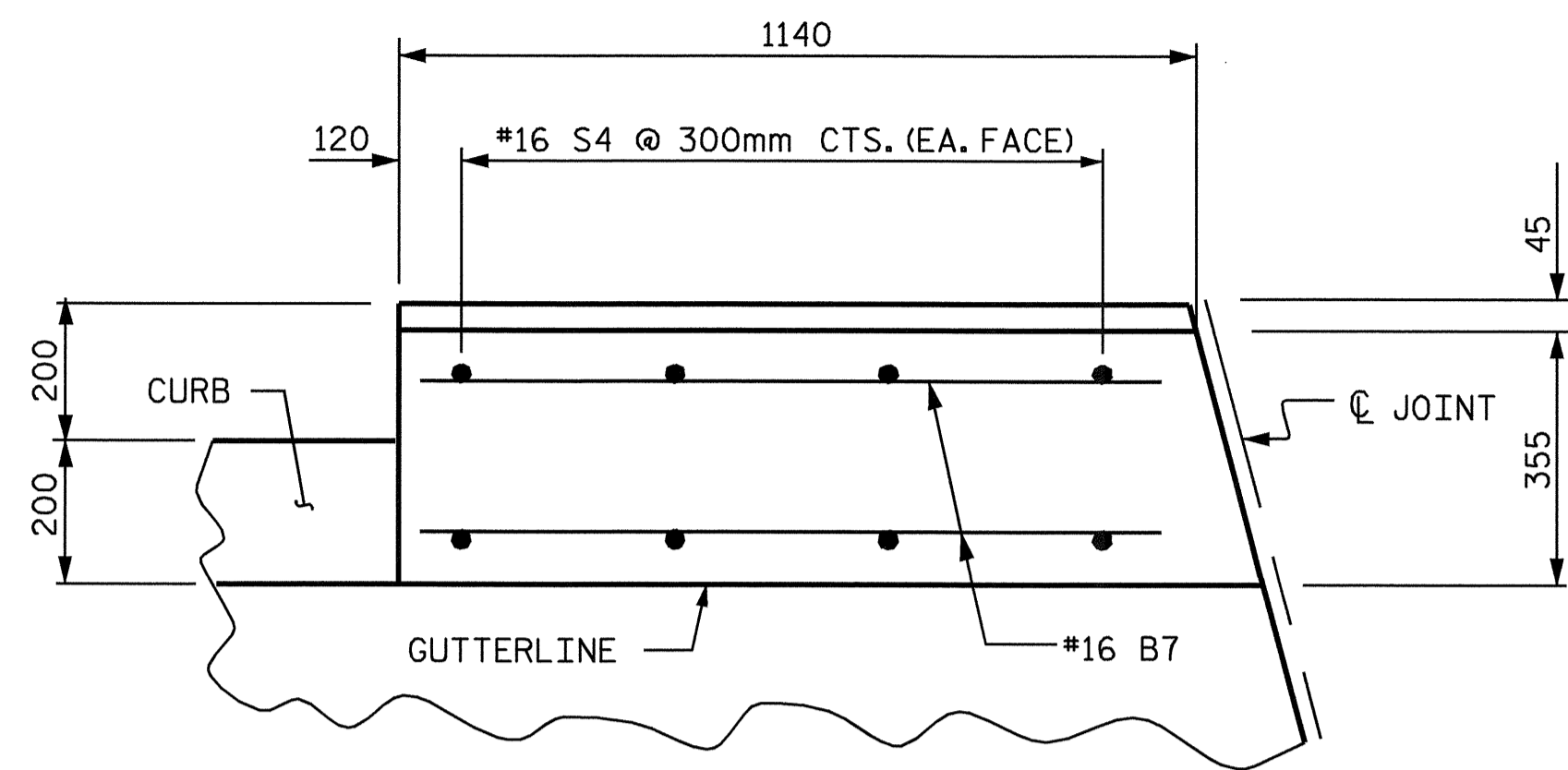


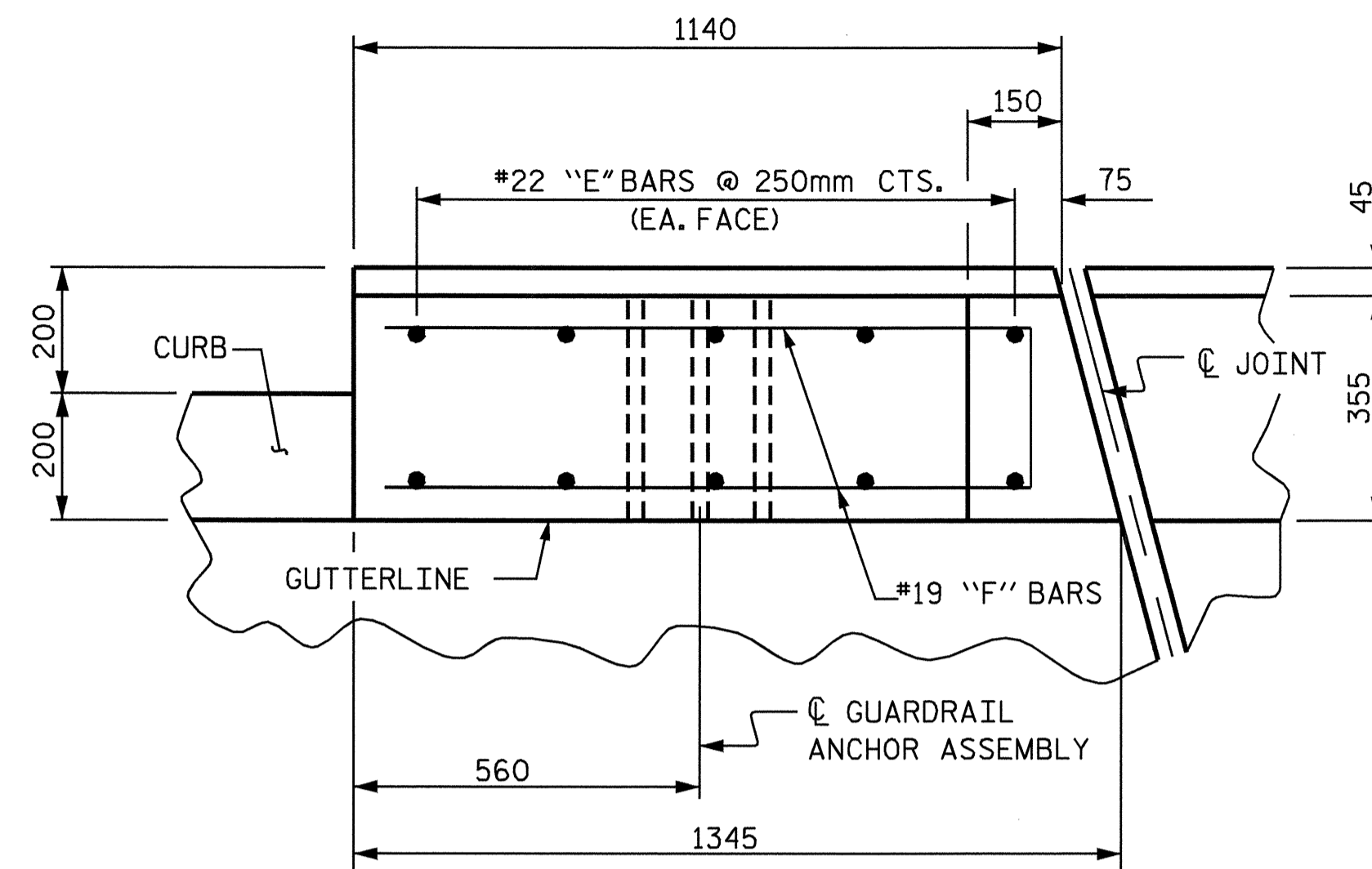
**NOTES**

FOR DETAILS OF GUARDRAIL ANCHOR ASSEMBLY, SEE SHEET 5 OF 5.

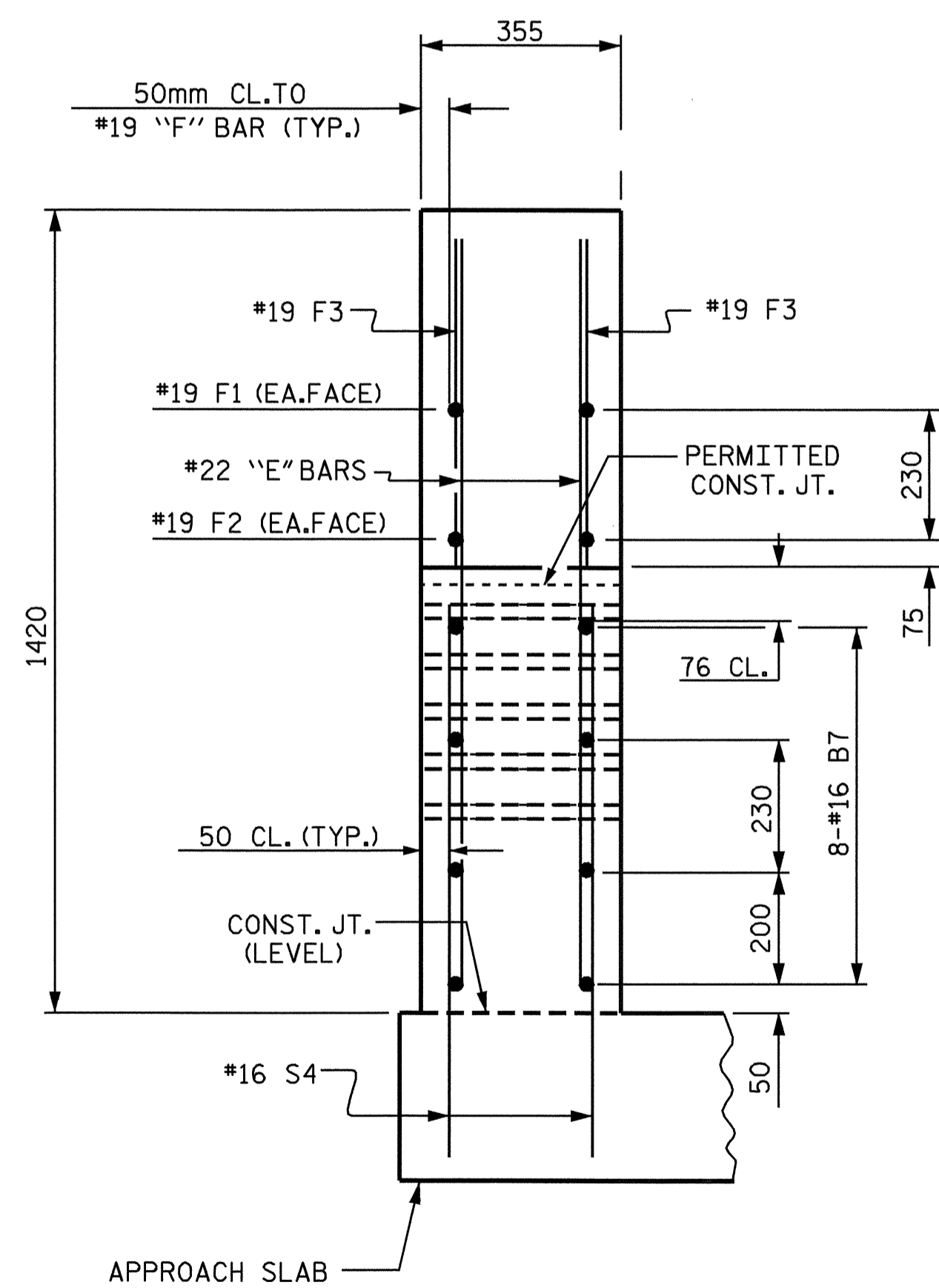
ALL REINFORCING STEEL IN CONCRETE PARAPET AND END POST SHALL BE EPOXY COATED.



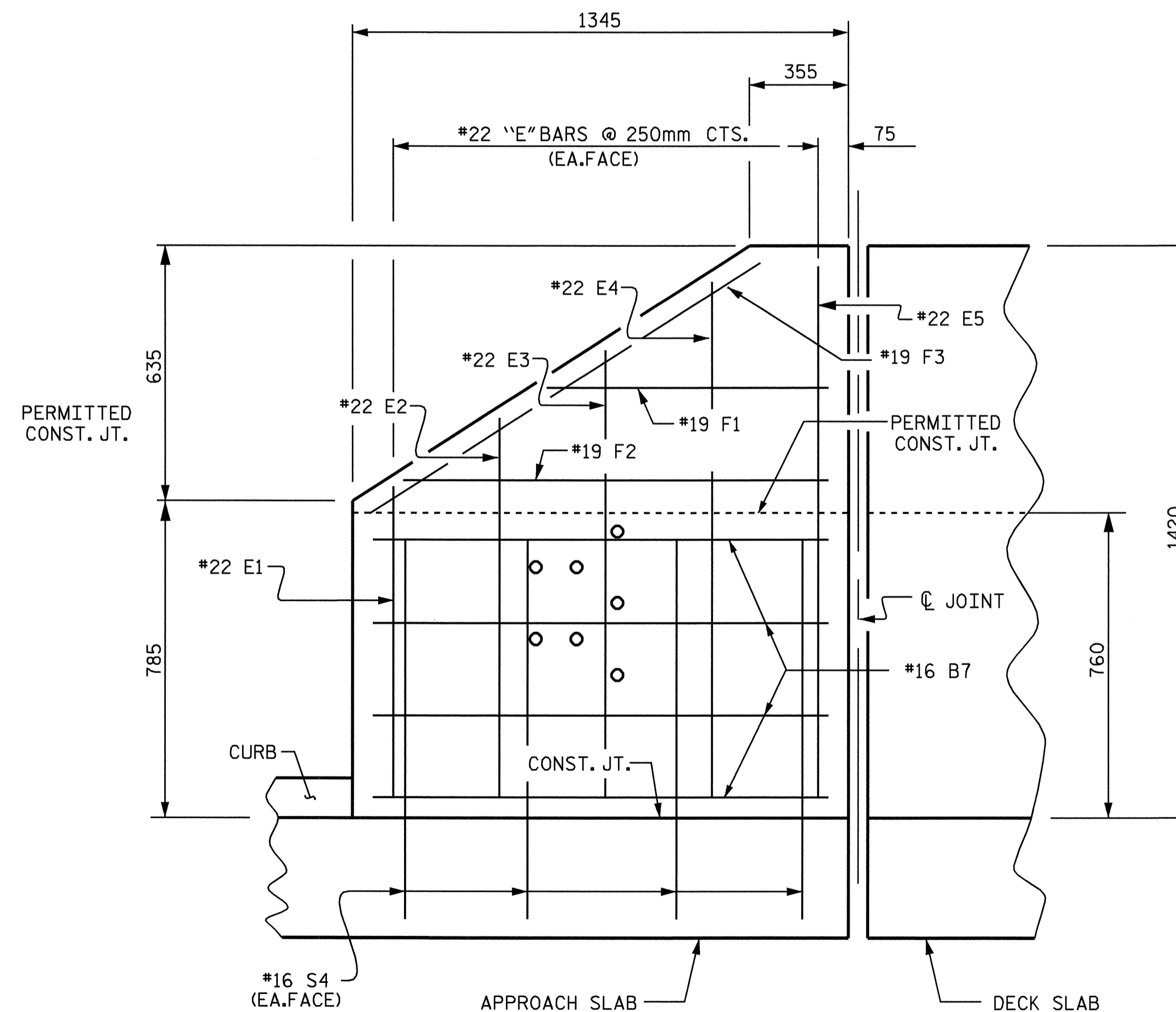
**PLAN OF PARAPET**



**PLAN OF END POST**



**END VIEW**



**ELEVATION**

**PARAPET & END POST DETAILS**

BEGIN APPROACH SLAB SHOWN, END APPROACH SLAB SIMILAR

PROJECT NO. R-0977A  
CHEROKEE COUNTY  
 STATION: 24+60.500-LC1B-

SHEET 4 OF 5

STATE OF NORTH CAROLINA  
 DEPARTMENT OF TRANSPORTATION  
 RALEIGH

**BRIDGE APPROACH SLAB  
 PARAPET AND  
 END POST DETAILS**



DRAWN BY : A.S. CALLAWAY DATE : 8/10/04  
 CHECKED BY : P.C. BREWER DATE : 10/18/04

20-DEC-2004 16:16  
 W:\SquadL\0977a\str3\scallaway\R0977A.sd\_AS.03.dgn  
 lsutton

REVISIONS						SHEET NO.
NO.	BY:	DATE:	NO.	BY:	DATE:	S-121
1			3			TOTAL SHEETS
2			4			230