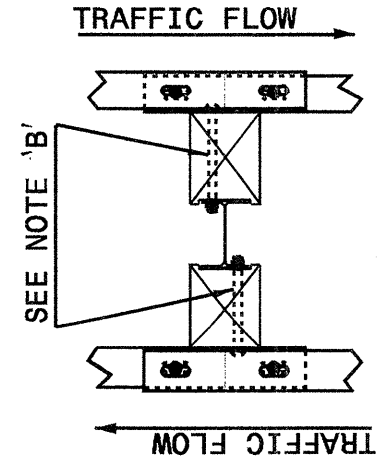


C:\JUL_2004_15-07
 \Metric\stds\stds\over-d\stds\02\stds to Special Details\metric\862D02\0862d02m.dgn
 AT 08212260
 erward

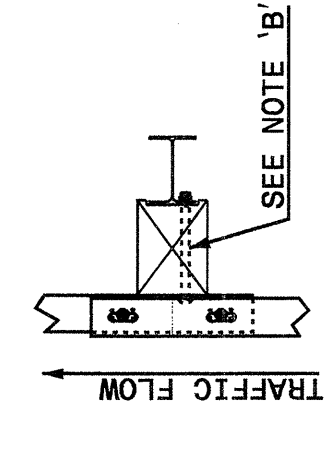
STATE OF
 NORTH CAROLINA
 DEPT. OF TRANSPORTATION
 DIVISION OF HIGHWAYS
 RALEIGH, N.C.

METRIC DETAIL DRAWING FOR
GUARDRAIL INSTALLATION

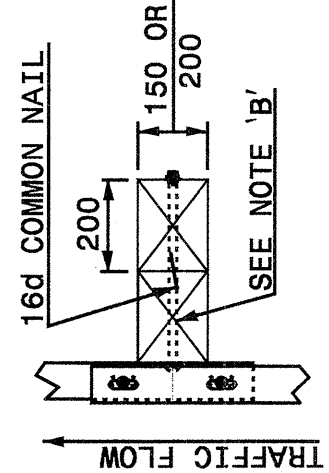
SHEET 3 OF 7
862D02



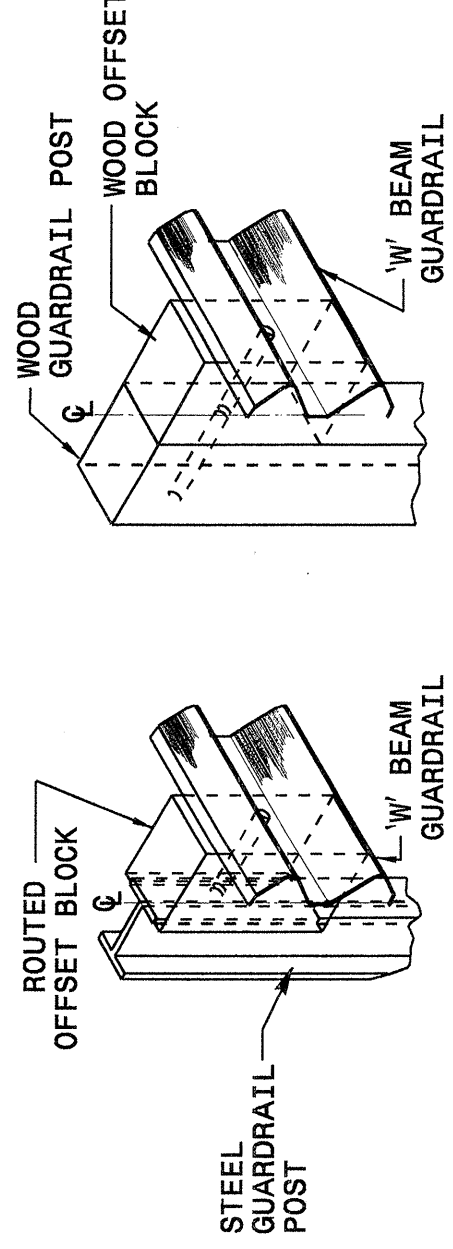
DOUBLE FACE GUARDRAIL



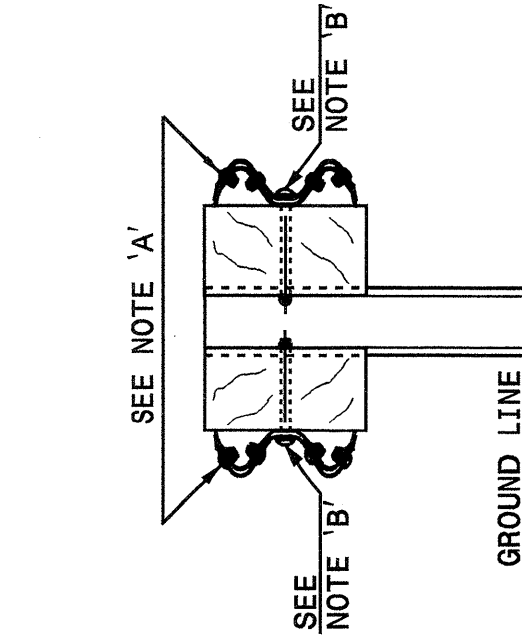
W150' STEEL POST WITH
 ROUTED OFFSET BLOCK



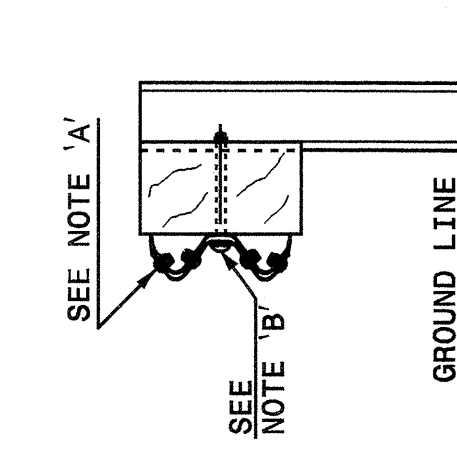
200mm WOOD POST WITH
 WOOD OFFSET BLOCK



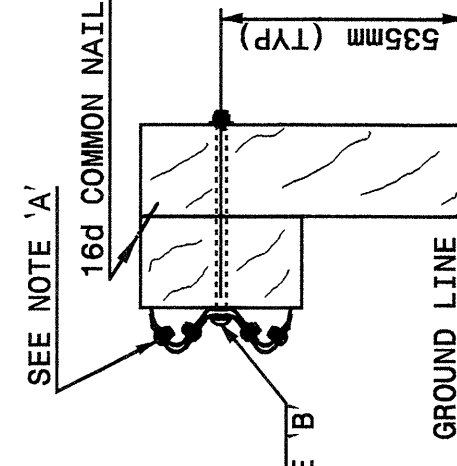
ISOMETRIC VIEWS



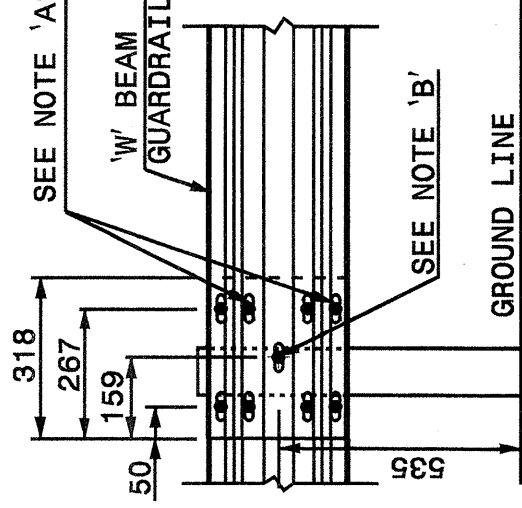
DOUBLE FACE GUARDRAIL



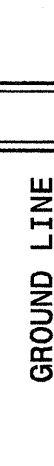
W150' STEEL POST WITH
 ROUTED OFFSET BLOCK



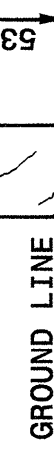
200mm WOOD POST WITH
 WOOD OFFSET BLOCK



FRONT



SIDE



W150' STEEL POST WITH
 ROUTED OFFSET BLOCK



SIDE

NOTES:
 A - 16mm DIA. BUTTON HEAD SPLICE BOLT / 32mm LONG WITH STD. WASHER UNDER NUT (8 REQ. PER SPLICE JOINT).
 B - 16mm DIA. BUTTON HEAD BOLT / 190mm/228mm LONG WITH NUT FOR BOLTING 150mm/200mm ROUTED OFFSET BLOCK TO STEEL POSTS OR
 16mm DIA. BUTTON HEAD BOLT / 457mm LONG WITH STD. WASHER UNDER NUT FOR BOLTING TO WOOD POSTS (1 REQ. PER LOCATION)
 C - FIELD PUNCH HOLES INTO THE GUARDRAIL AS DIRECTED BY THE ENGINEER.

Note:
 This drawing is dimensioned in
 millimeters unless otherwise
 depicted within the drawing.

TYPICAL GUARDRAIL AND GUARDRAIL POST ALTERNATIVES

STATE OF
 NORTH CAROLINA
 DEPT. OF TRANSPORTATION
 DIVISION OF HIGHWAYS
 RALEIGH, N.C.

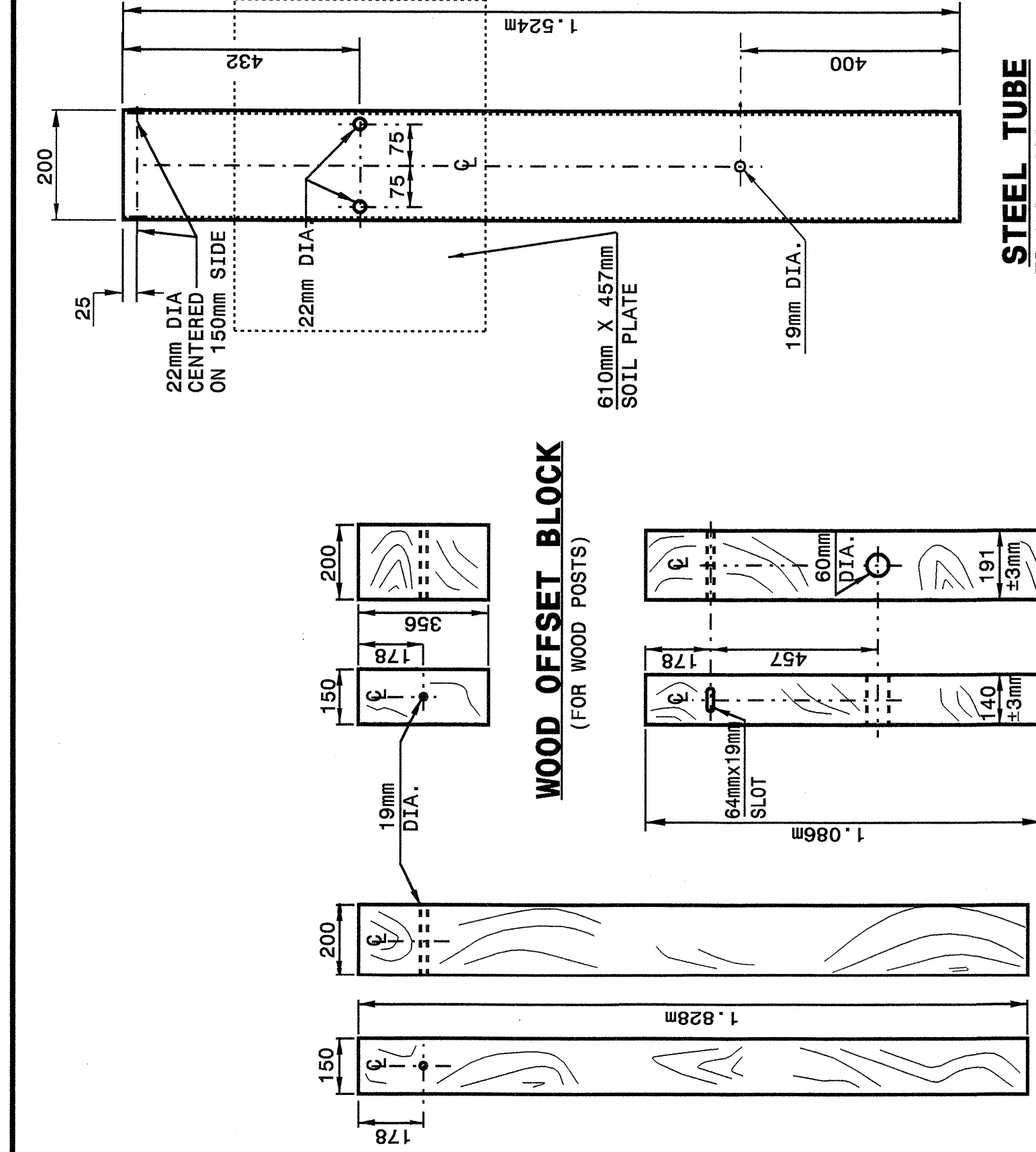
METRIC DETAIL DRAWING FOR
GUARDRAIL INSTALLATION

SHEET 3 OF 7
862D02

STATE OF
 NORTH CAROLINA
 DEPT. OF TRANSPORTATION
 DIVISION OF HIGHWAYS
 RALEIGH, N.C.

METRIC DETAIL DRAWING FOR
GUARDRAIL INSTALLATION

SHEET 4 OF 7
862D02



STANDARD
 LINE POST

WOOD OFFSET BLOCK
 (FOR WOOD POSTS)

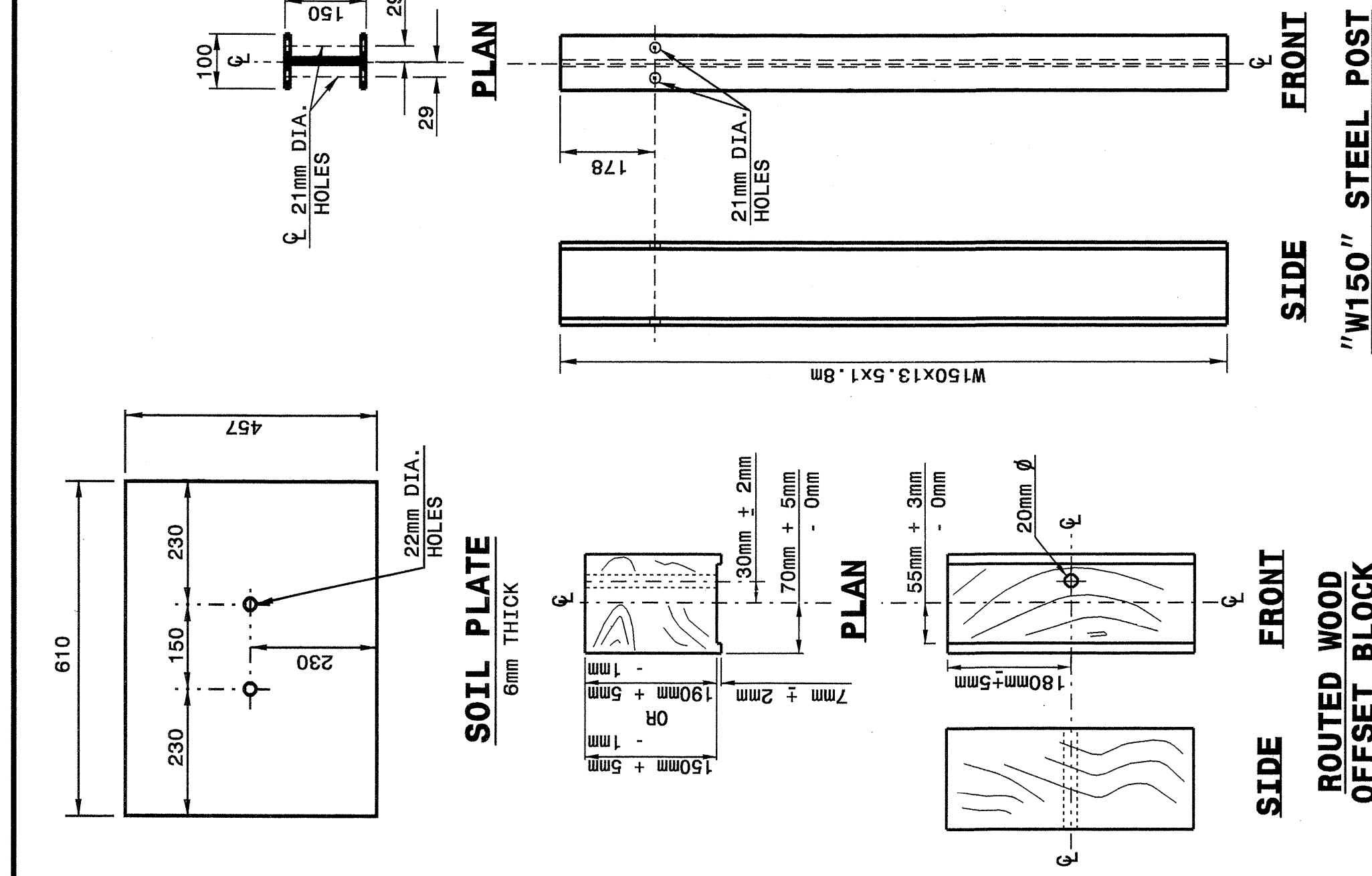
STEEL TUBE
 TS 150mmx200mmx5mm

BEARING PLATE
 16mm THICK PLATE

STATE OF
 NORTH CAROLINA
 DEPT. OF TRANSPORTATION
 DIVISION OF HIGHWAYS
 RALEIGH, N.C.

METRIC DETAIL DRAWING FOR
GUARDRAIL INSTALLATION

SHEET 4 OF 7
862D02



SOIL PLATE
 6mm THICK

ROUTED WOOD
 OFFSET BLOCK

SIDE

"W150" STEEL POST

Note:
 This drawing is dimensioned in
 millimeters unless otherwise
 depicted within the drawing.

SYSTEM PARTS

DESIGN SERVICES UNIT
 STANDARDS AND SPECIAL DESIGN
 Office 919-250-4128 FAX 919-250-4119

SEE PLATE FOR TITLE

ORIGINAL BY: 2002 STD.862.02 DATE:
 MODIFIED BY: E.E. WARD DATE: 02-09-03
 CHECKED BY: DATE: 7/13/04
 FILE SPEC.: /usr/stds/02todetail/metric/86202/862d02m.dgn

