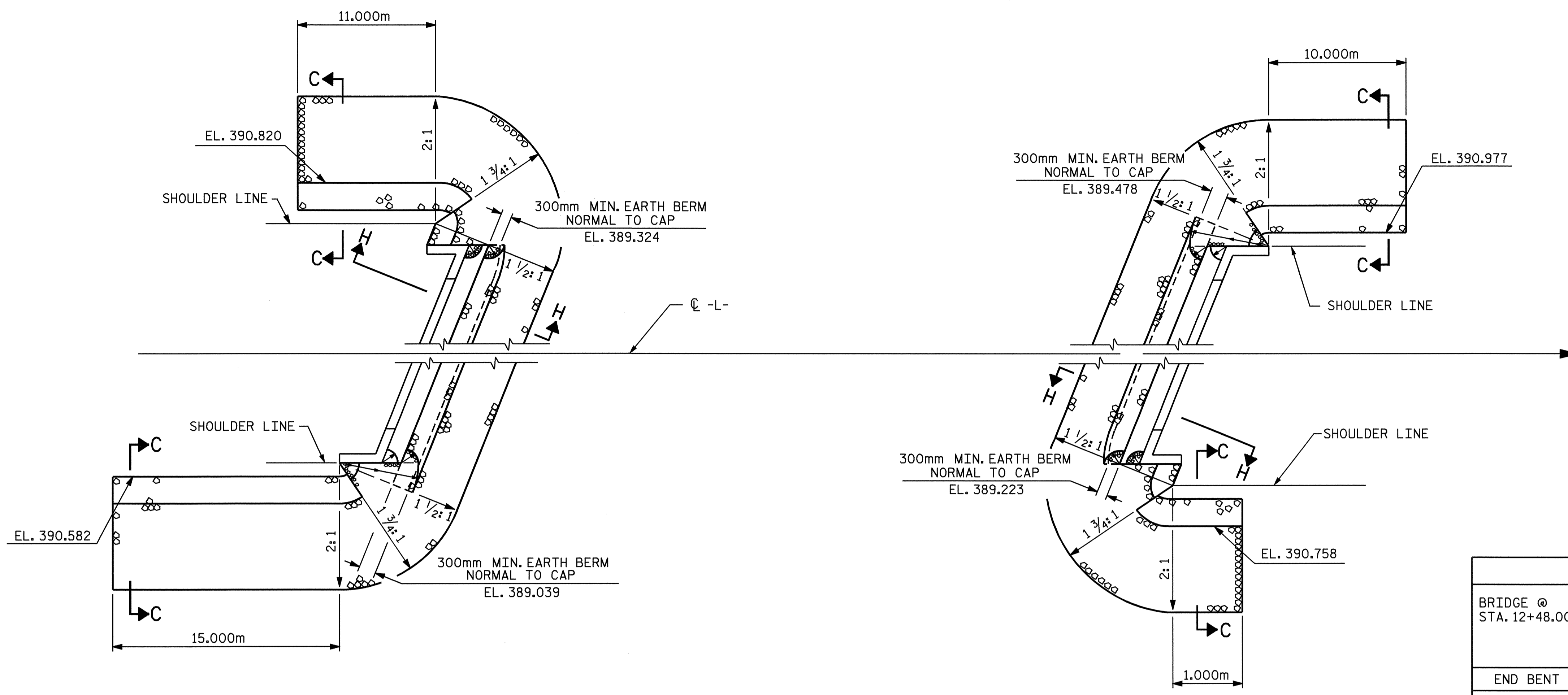
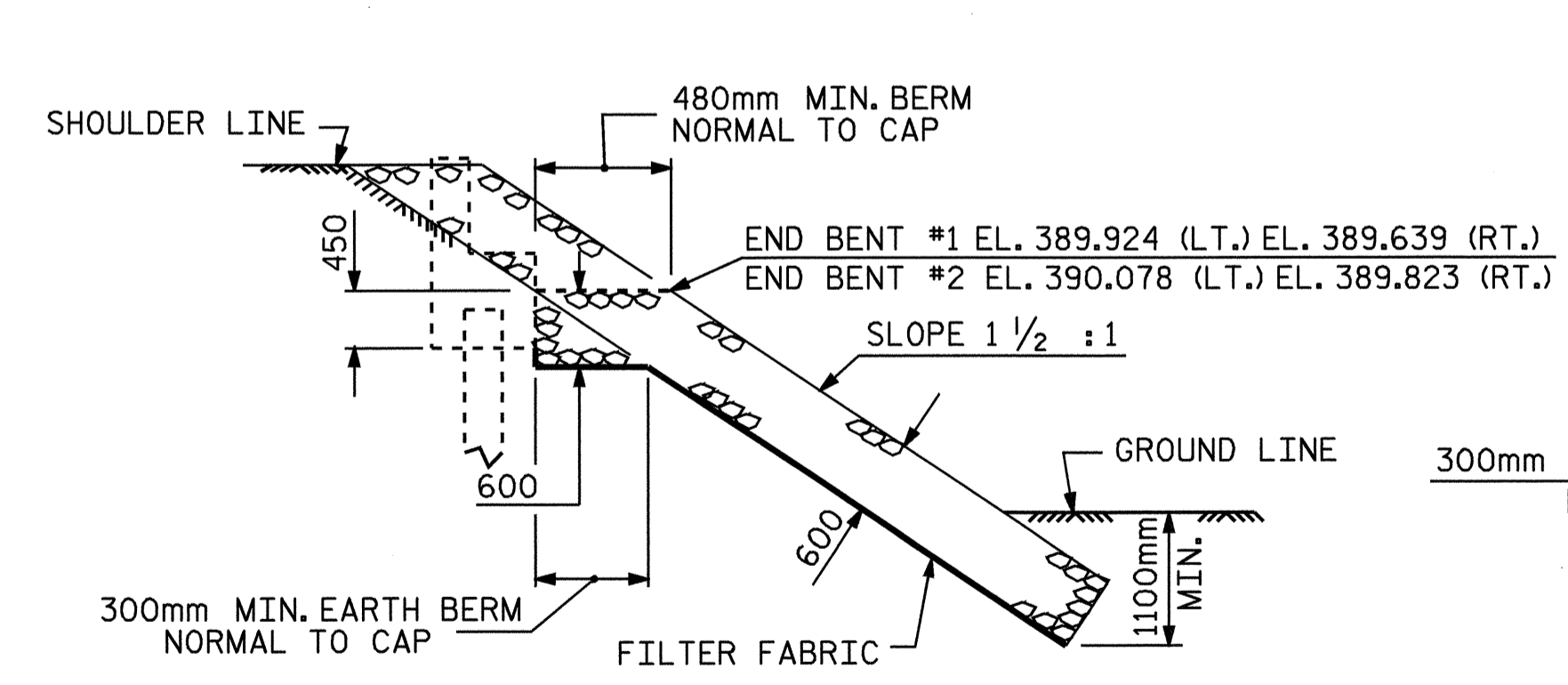


NOTES :
FOR BERM WIDTH DIMENSIONS, SEE GENERAL DRAWING.

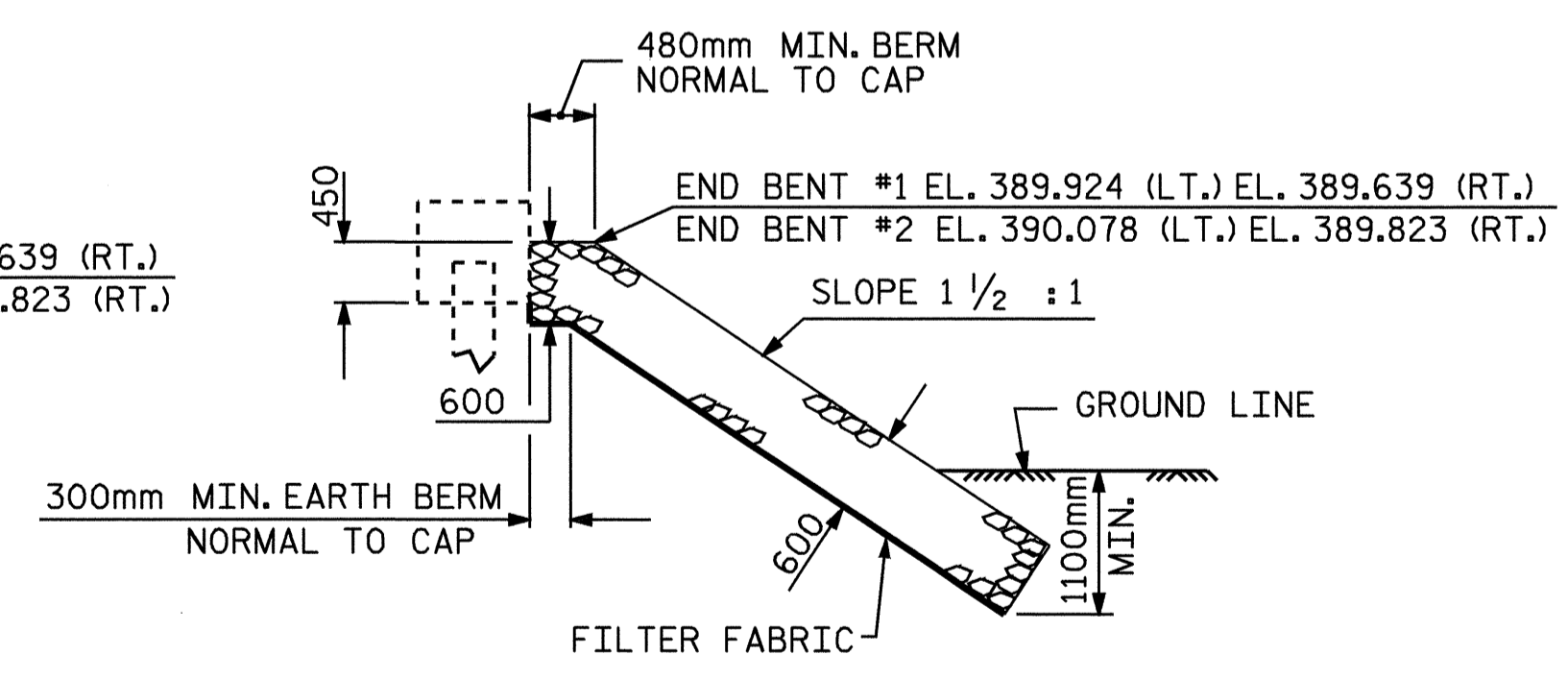


PLAN

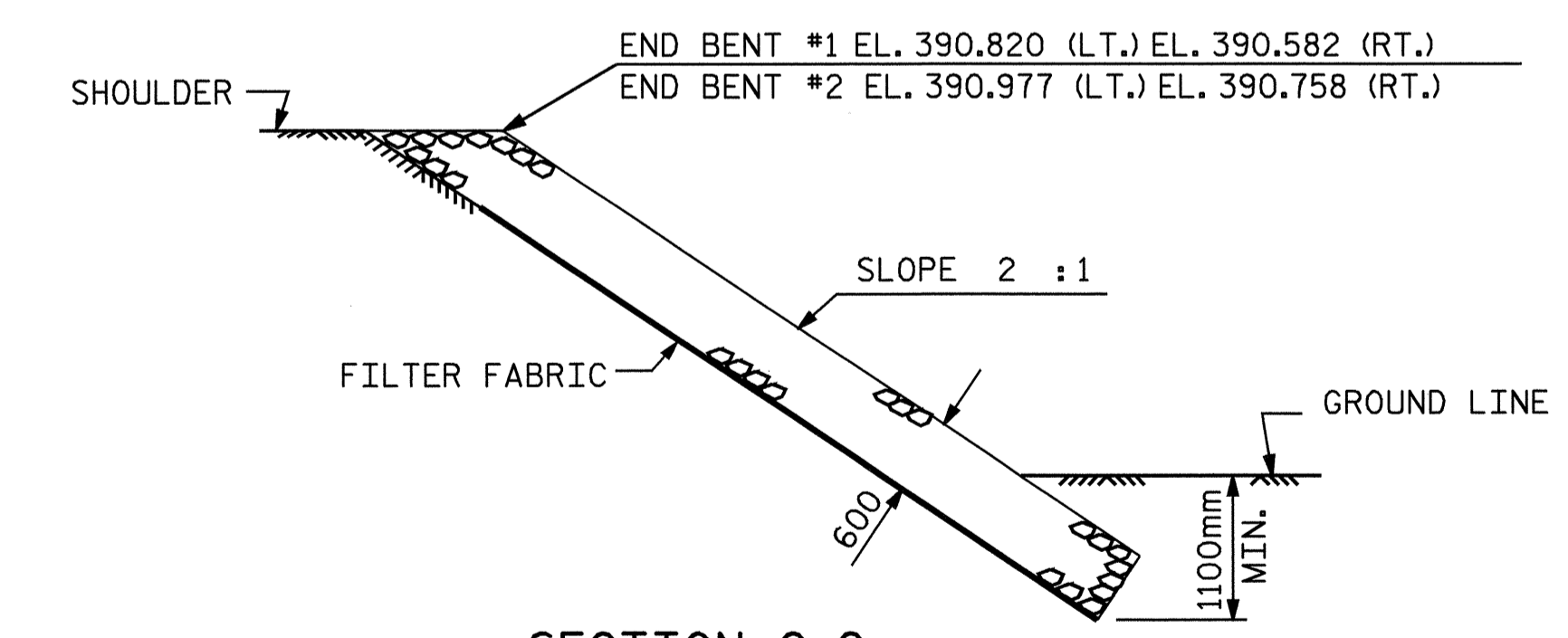
ESTIMATED QUANTITIES		
BRIDGE @ STA. 12+48.000 -L-	PLAIN RIP RAP CLASS II	FILTER FABRIC FOR DRAINAGE
	METRIC TON	SQUARE METERS
END BENT 1	240	245
END BENT 2	225	230



SECTION H-H



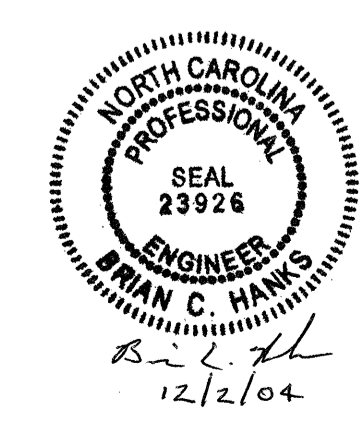
SECTION C-C
BERM RIP RAPPED



SECTION C-C

PROJECT NO. B-3266
WILKES COUNTY
STATION: 12+48.000 -L-

STATE OF NORTH CAROLINA
DEPARTMENT OF TRANSPORTATION
RALEIGH
STANDARD
= RIP RAP DETAILS =



ASSEMBLED BY : J.L. WALTON	DATE : 6/18/04
CHECKED BY : D.G. ELY	DATE : 8/24/04
DRAWN BY : REK 1/84	REV. 7/17/98 REK/RWW
CHECKED BY : RDU 1/84	REV. 8/16/99 RWW/LES
	REV. 10/17/00 RWW/LES

REVISIONS						SHEET NO.
NO.	BY:	DATE:	NO.	BY:	DATE:	S-22
1			3			TOTAL SHEETS
2			4			26