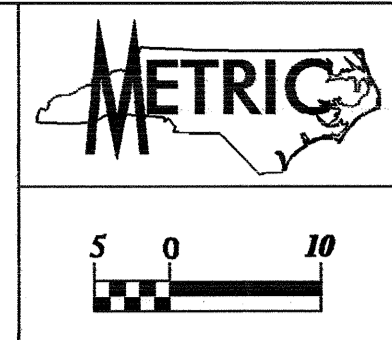


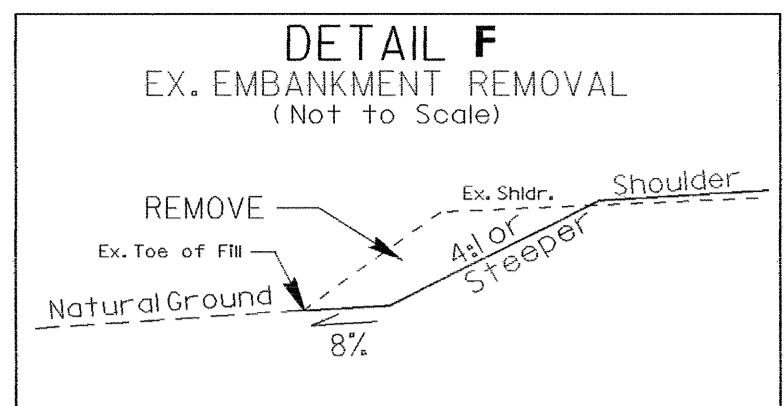
PROJECT REFERENCE NO.	SHEET NO.
B-3266	EC-4CONST. 5
R/W SHEET NO.	
ROADWAY DESIGN ENGINEER	HYDRAULICS ENGINEER
CONST. REV.	
R/W REV.	



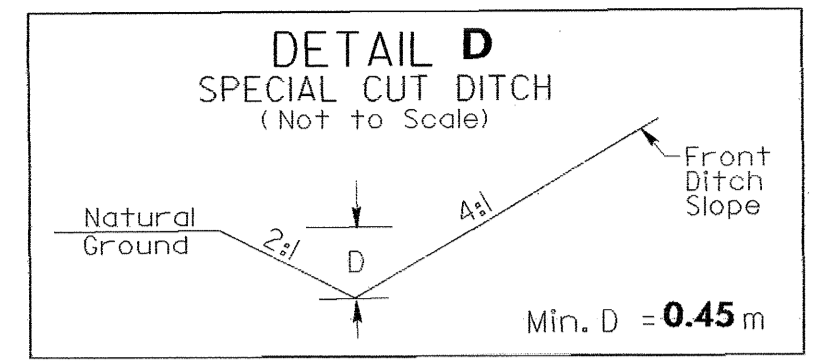
CLEARING AND GRUBBING
EROSION CONTROL FOR
CONSTRUCTION SHEET 5

NOTE: PLACE TEMPORARY ROCK SEDIMENT DAMS TYPE-B
AND TEMPORARY ROCK SILT CHECKS TYPE-A AT
DRAINAGE OUTLETS.

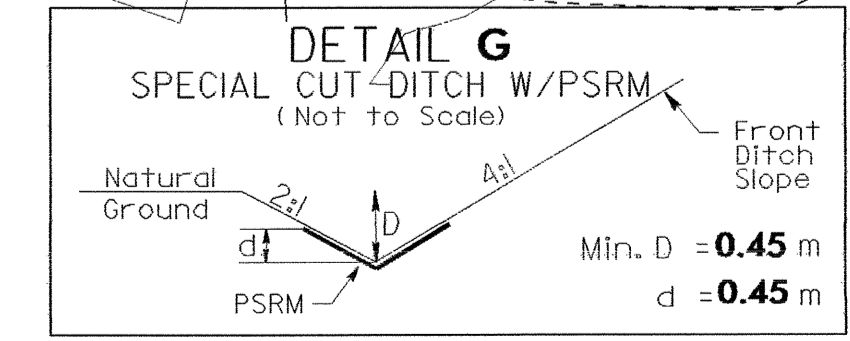
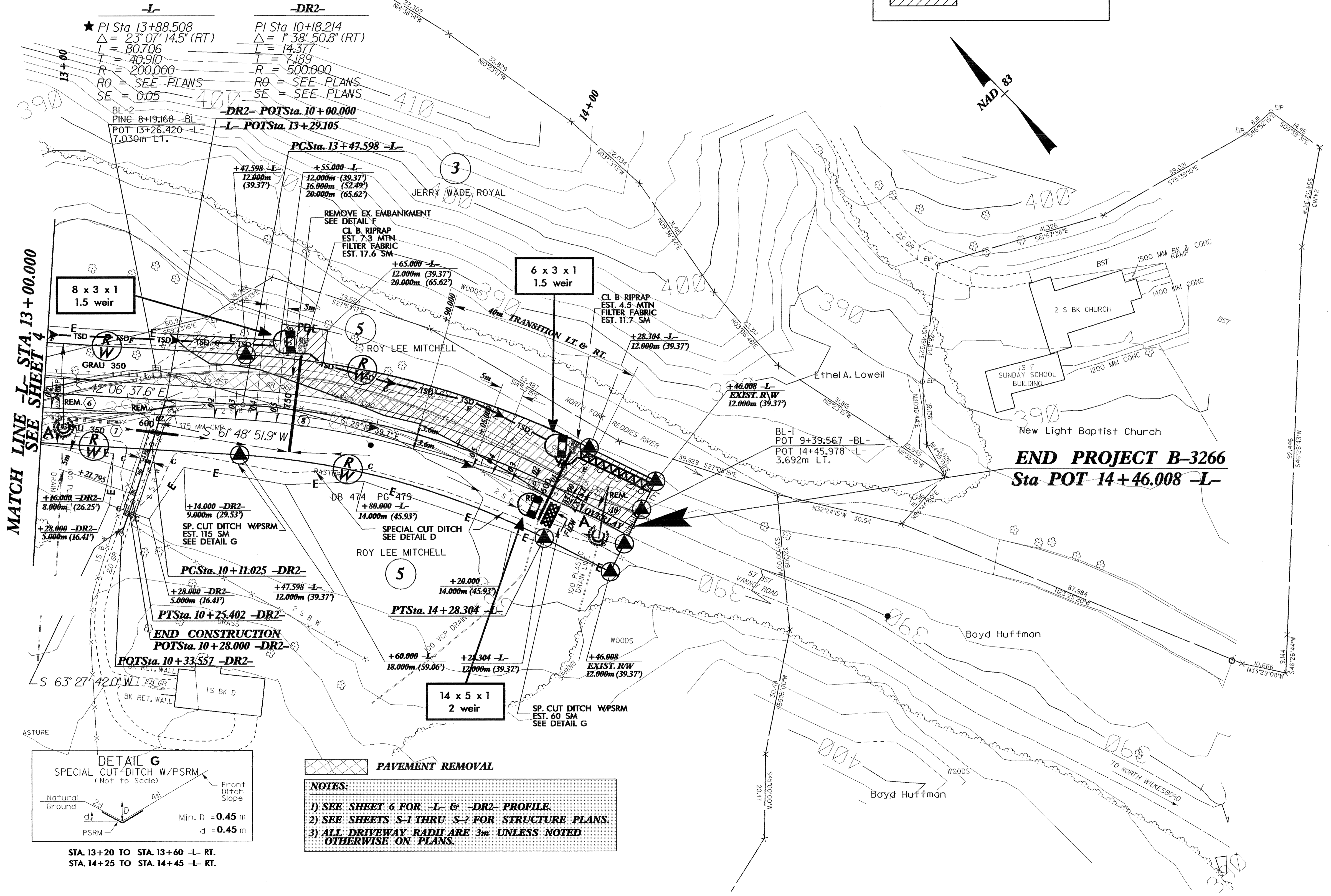
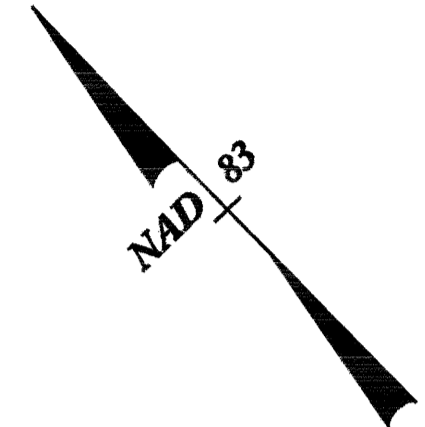
ENVIRONMENTALLY SENSITIVE AREA
SEE PROJECT SPECIAL PROVISIONS



STA. 13+25 TO STA. 13+85 -L- LT.



STA. 11+20 TO STA. 11+80 -L- LT.
STA. 13+60 TO STA. 13+80 -L- RT.
STA. 14+00 TO STA. 14+25 -L- RT.



STA. 13+20 TO STA. 13+60 -L- RT.
STA. 14+25 TO STA. 14+45 -L- RT.

PAVEMENT REMOVAL

NOTES:
1) SEE SHEET 6 FOR -L- & -DR2- PROFILE.
2) SEE SHEETS S-1 THRU S-7 FOR STRUCTURE PLANS.
3) ALL DRIVEWAY RADII ARE 3m UNLESS NOTED OTHERWISE ON PLANS.

25-AUG-2004 15:02 \\s01\p01\B-3266\p01\B-3266S05.dwg