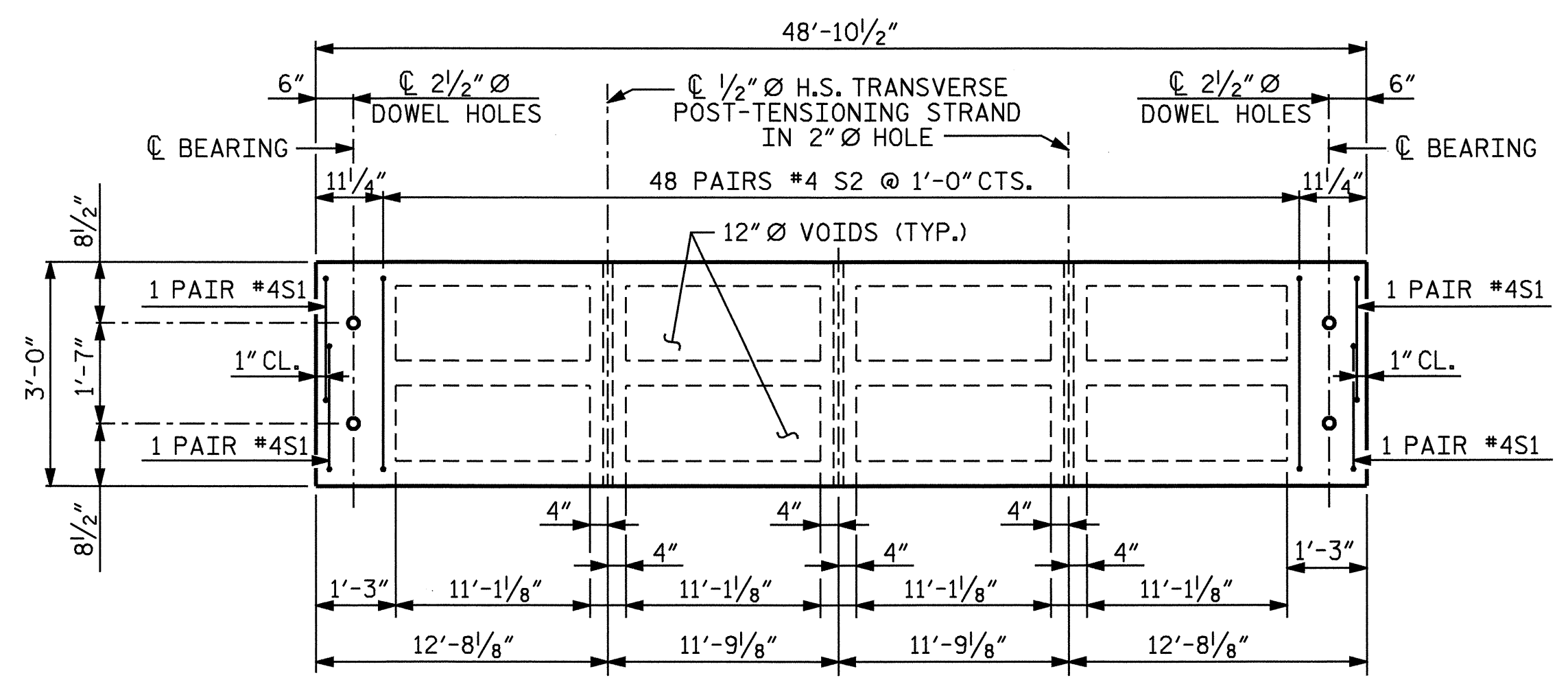
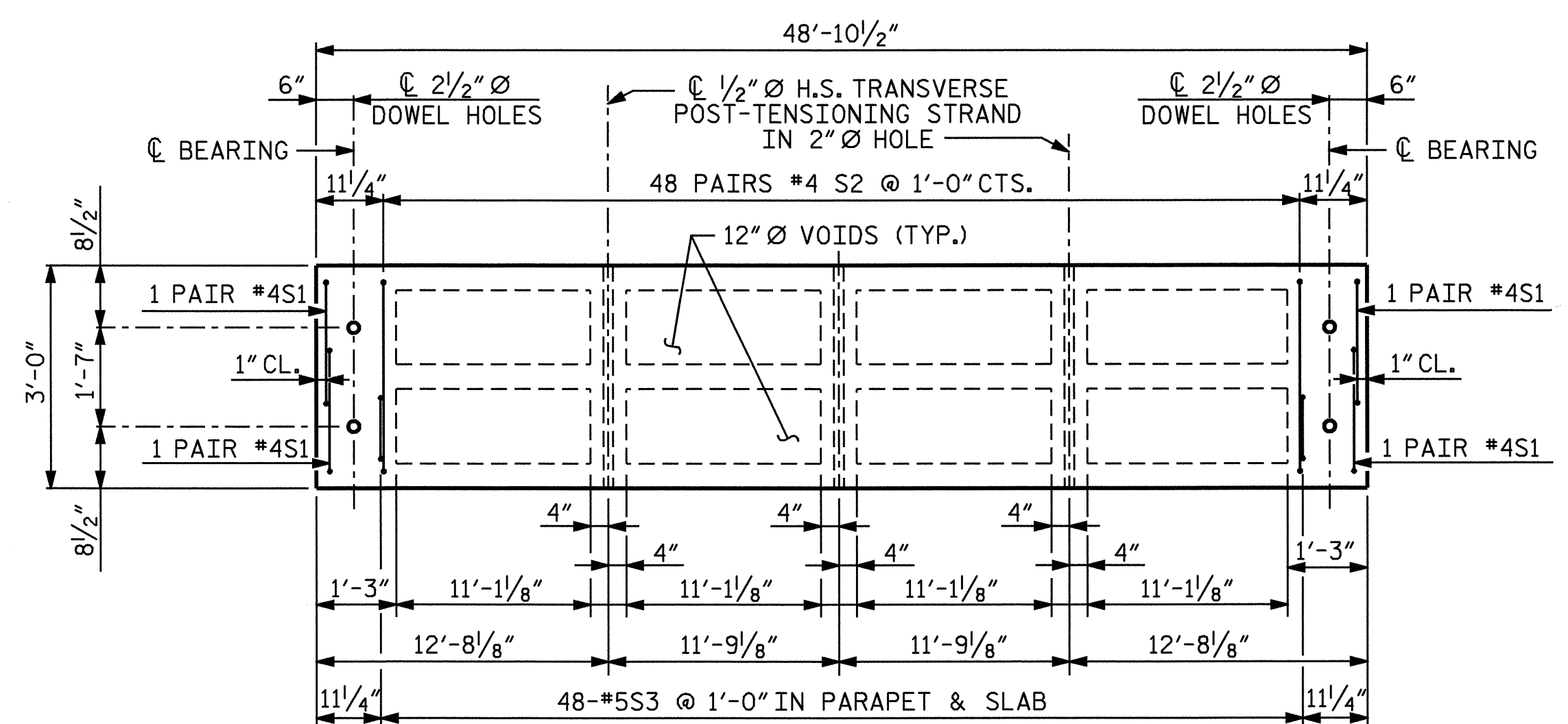


PLAN OF SPAN B

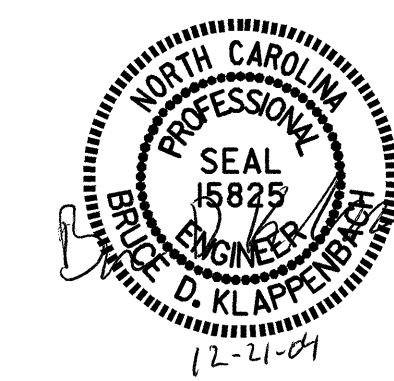


PLAN OF INTERIOR CORED SLAB UNIT
(SPAN "A" THRU SPAN "C")



PLAN OF EXTERIOR CORED SLAB UNIT
(SPAN "A" THRU SPAN "C")

DRAWN BY: G.M.Patterson DATE: 10/04/04
CHECKED BY: D.A.GLADDEN DATE: 10/12/04



PROJECT NO. B-3703
WAKE COUNTY
STATION: 18+17.85 -L-

STATE OF NORTH CAROLINA
DEPARTMENT OF TRANSPORTATION
RALEIGH
SUPERSTRUCTURE
PLAN OF SPAN "B"
AND
CORED SLAB DETAILS
(ALL SPANS)

REVISIONS						SHEET NO.	
NO.	BY:	DATE:	NO.	BY:	DATE:	S-7	
1			3			TOTAL SHEETS	
2			4			27	