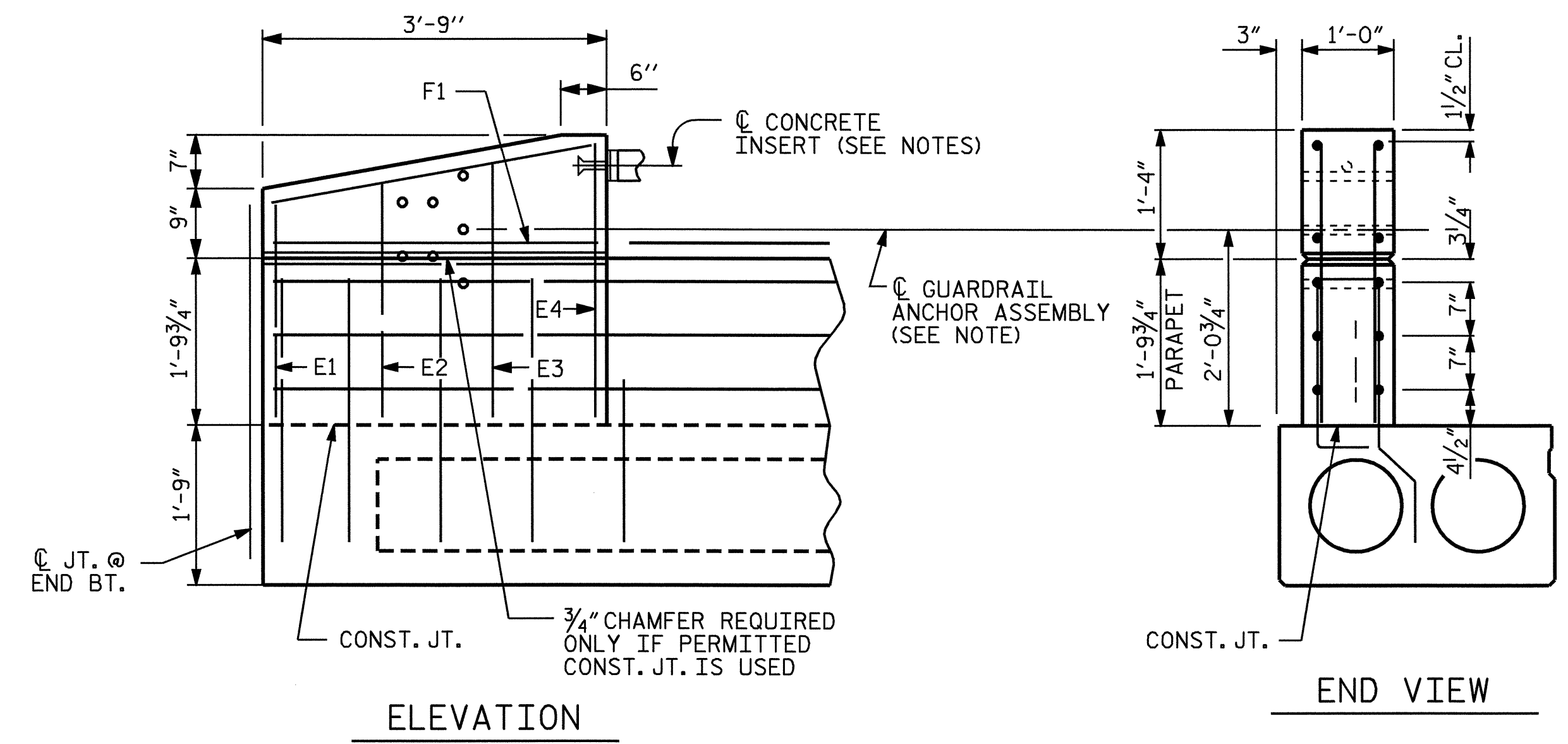
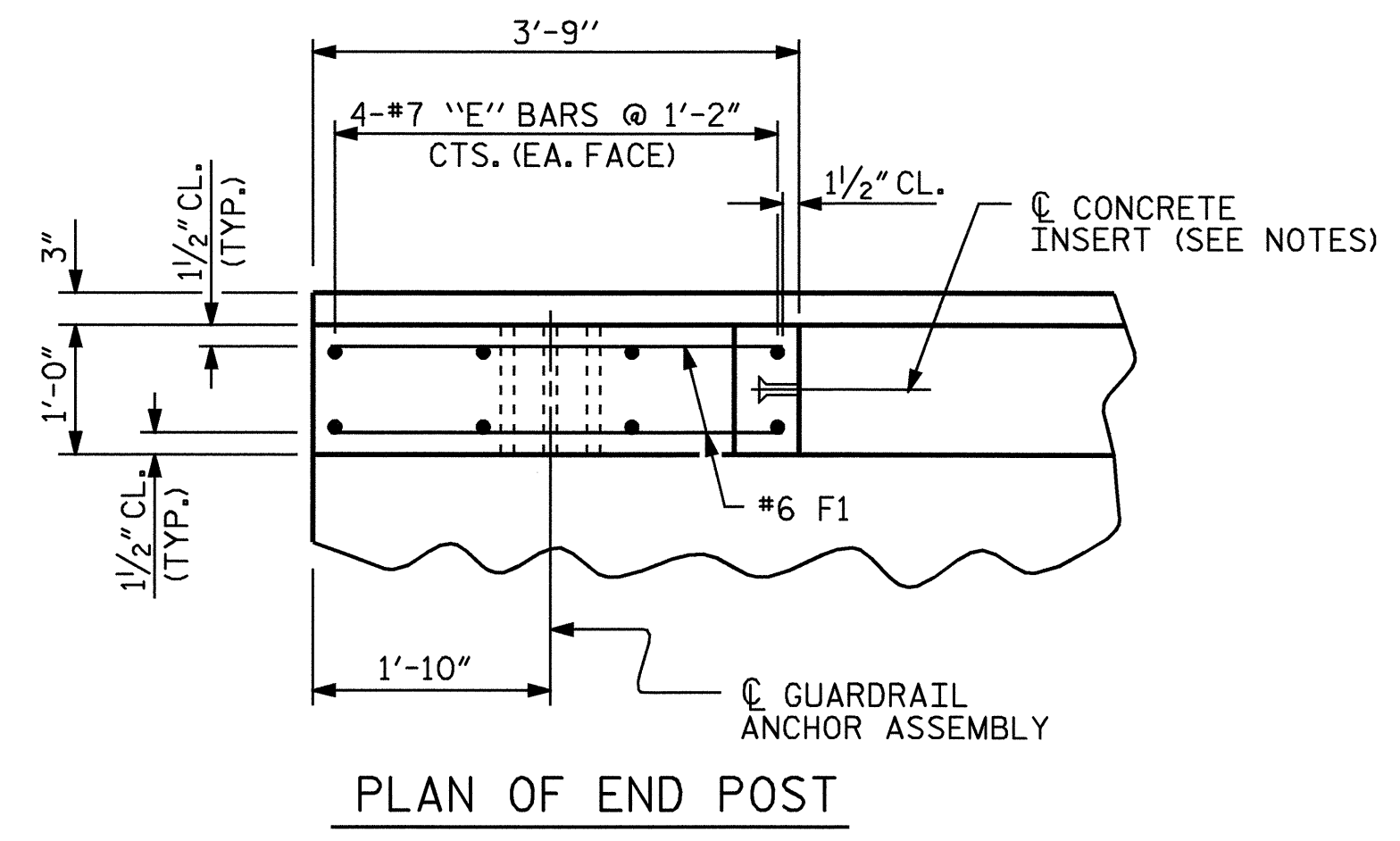
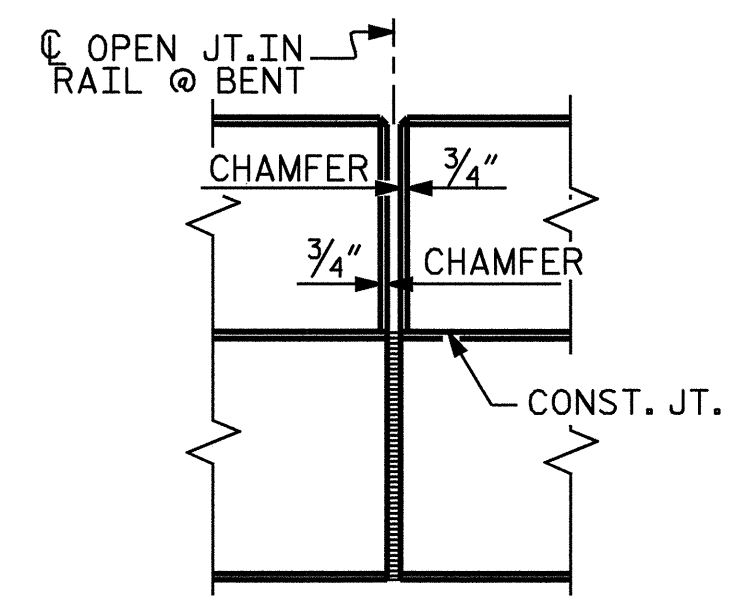
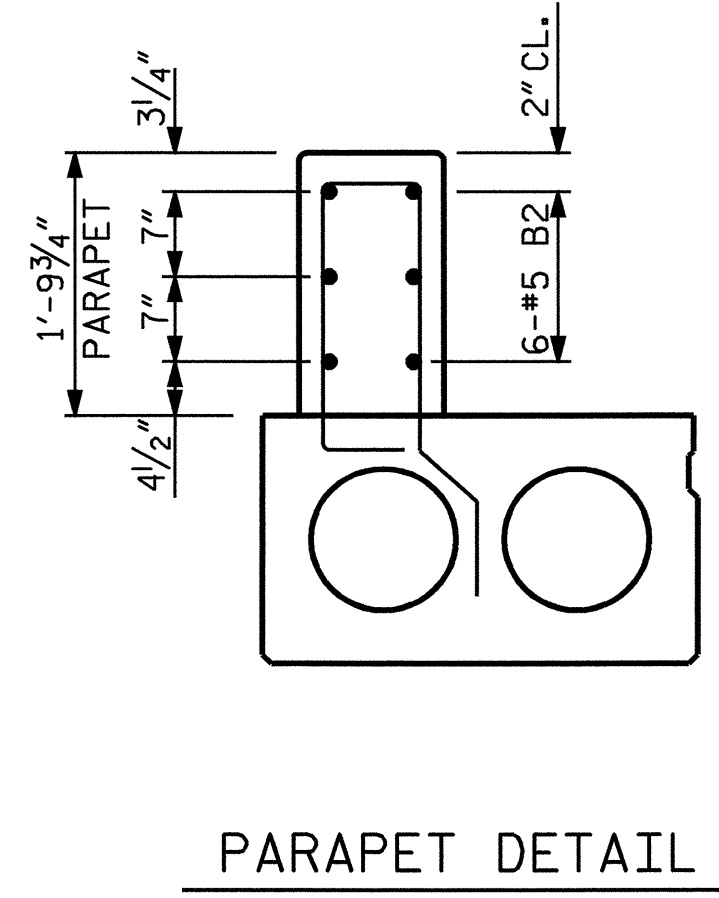


NOTES

ALL REINFORCING STEEL IN PARAPET SHALL BE EPOXY COATED.
 FOR DETAILS OF CONCRETE INSERT AND GUARDRAIL ANCHOR ASSEMBLY,
 SEE "RAIL POST SPACINGS AND END OF RAIL DETAILS" SHEETS.



END POST DETAILS



ELEVATION AT EXPANSION JOINTS
 BARRIER RAIL DETAILS

PROJECT NO. B-3703
WAKE COUNTY
 STATION: 18+17.85 -L-



STATE OF NORTH CAROLINA
 DEPARTMENT OF TRANSPORTATION
 RALEIGH
 CONCRETE PARAPET
 AND PARAPET
 END POST DETAILS
 FOR ONE BAR METAL RAIL

REVISIONS						SHEET NO.
NO.	BY:	DATE:	NO.	BY:	DATE:	S-9
1			3			TOTALS
2			4			27

DRAWN BY : G.M.Patterson DATE : 12/13/04
 CHECKED BY : B.KLAPPENBACH DATE : 12/15/04