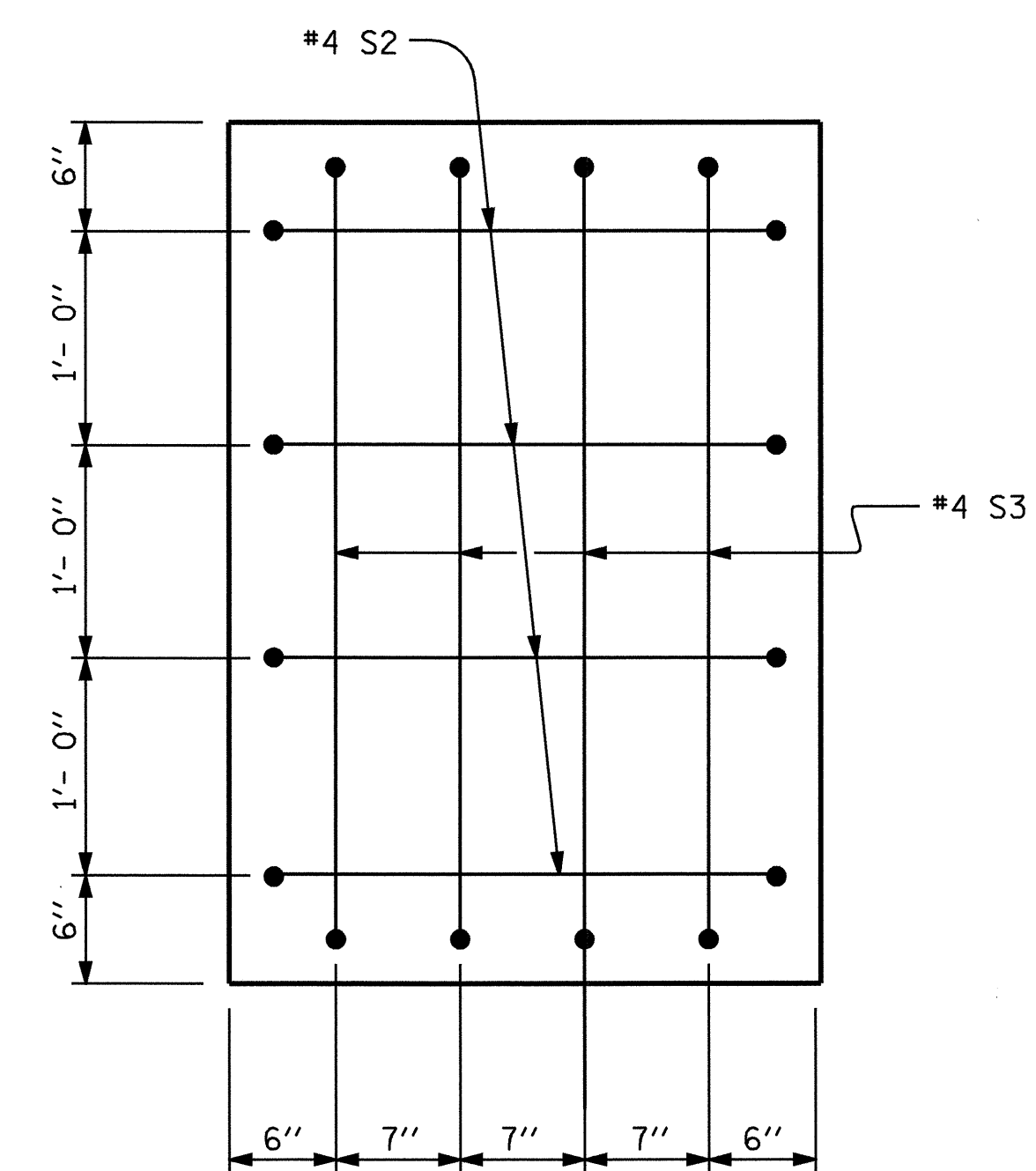
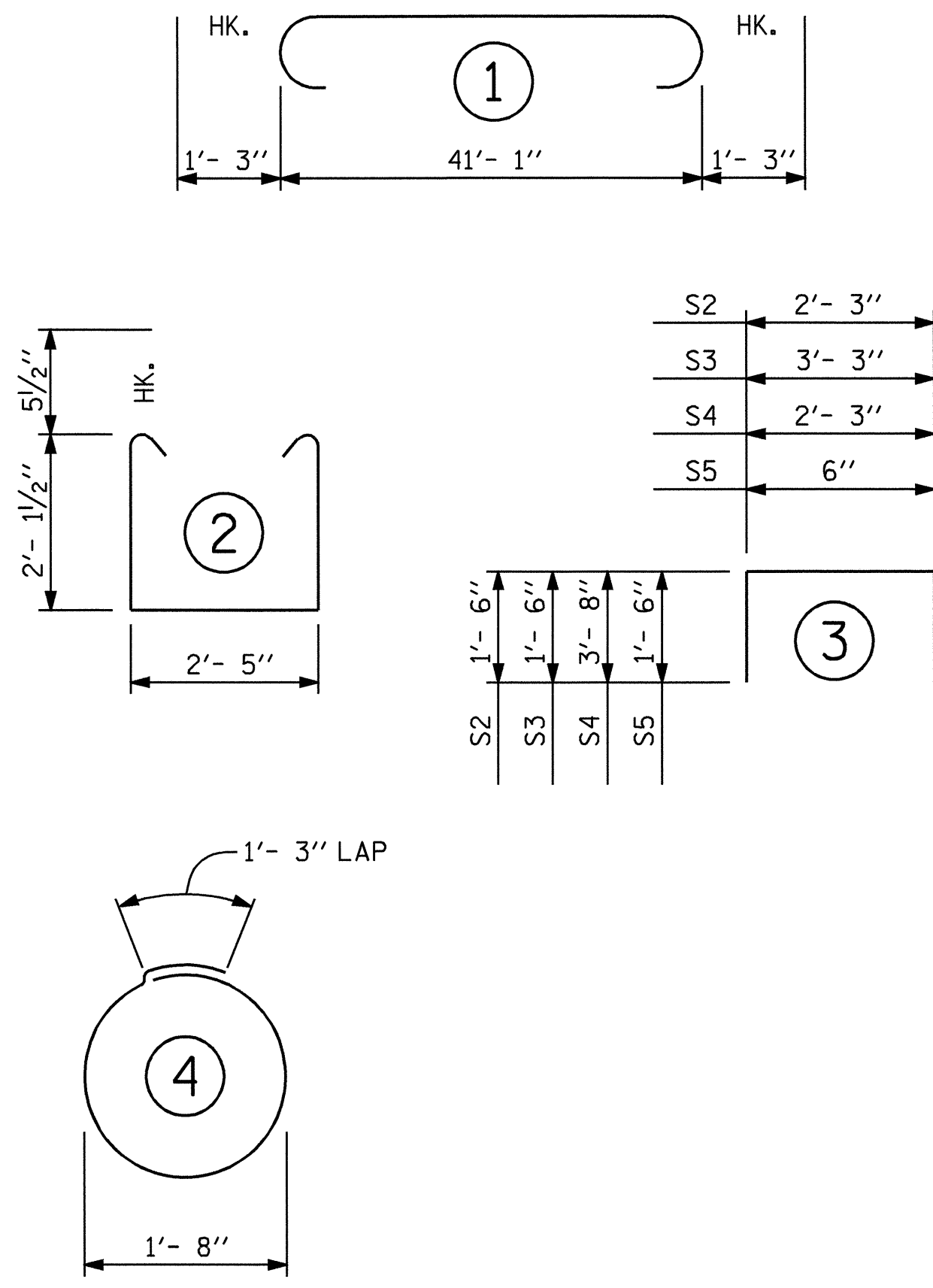


SECTION THRU CAP



SECTION "X-X"

BAR TYPES



ALL BAR DIMENSIONS ARE OUT TO OUT.

BILL OF MATERIAL

BENT #1

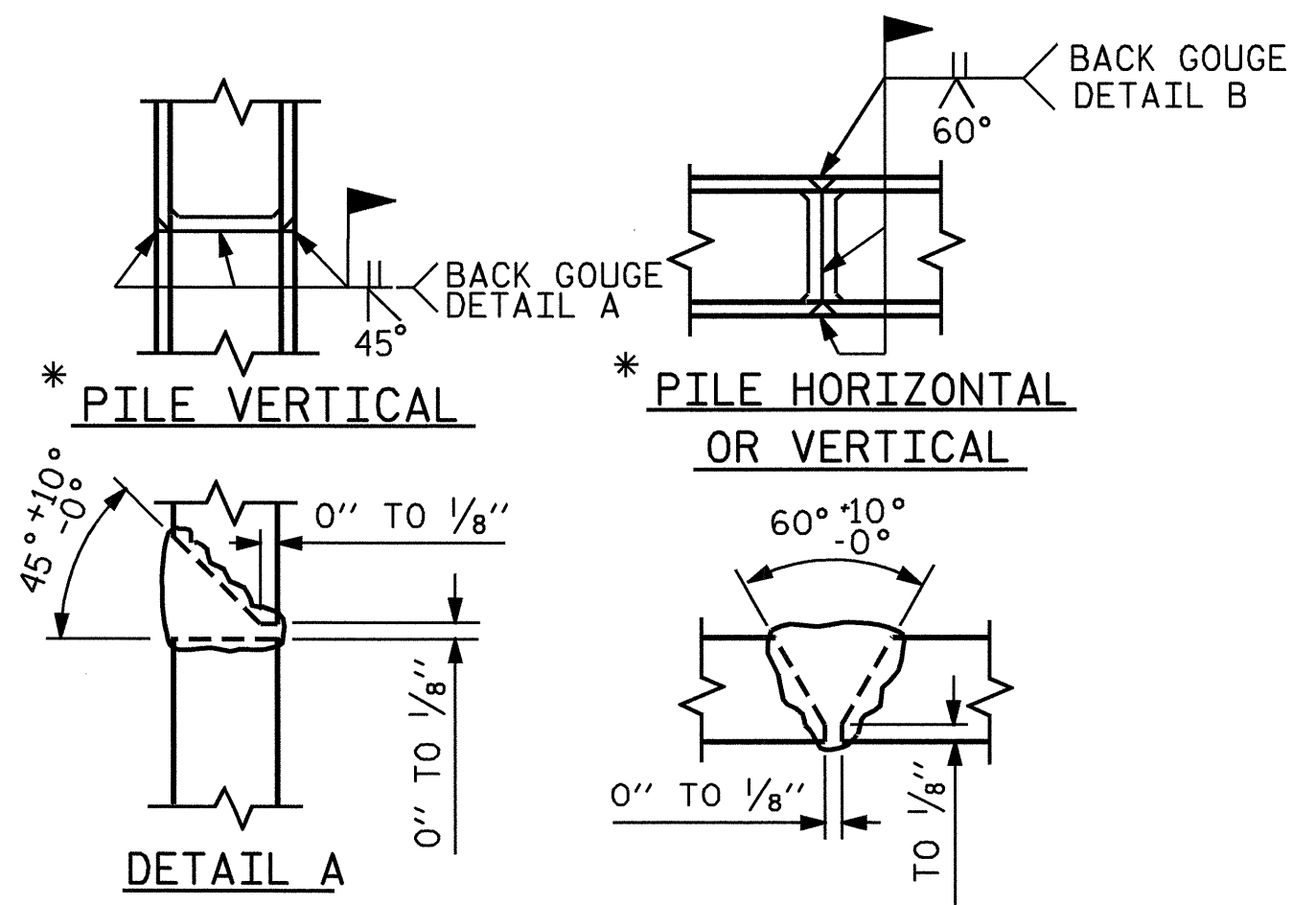
BAR NO.	NO.	SIZE	TYPE	LENGTH	WEIGHT
B1	4	#11	1	43'-7"	926
B2	4	#11	STR	41'-3"	877
B3	20	#4	STR	21'-10"	292
B4	15	#4	STR	2'-5"	24
D1	52	#6	STR	1'-6"	117
S1	39	#5	2	7'-7"	308
S2	8	#4	3	5'-3"	28
S3	8	#4	3	6'-3"	33
S4	2	#9	3	9'-7"	65
S5	6	#4	3	3'-6"	14
S6	16	#4	4	6'-6"	69

REINFORCING STEEL = 2753 LBS

CLASS A CONCRETE BREAKDOWN
 POUR #1 (CAP) 16.9 C.Y.
 POUR #2 (LATERAL GUIDES) 0.1 C.Y.
 CLASS A CONCRETE TOTAL 17.0 C.Y.

HP 12X53 STEEL PILES
 NO. 8 LIN. FT. 240

GALVANIZING STEEL PILES LUMP SUM



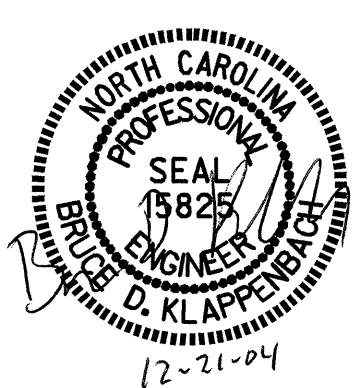
PILE SPLICE DETAILS

PROJECT NO. B-3703
WAKE COUNTY
 STATION: 18+17.85 -L-

SHEET 2 OF 2

STATE OF NORTH CAROLINA
 DEPARTMENT OF TRANSPORTATION
 RALEIGH

**SUBSTRUCTURE
 BENT #1**



REVISIONS						SHEET NO.
NO.	BY:	DATE:	NO.	BY:	DATE:	S-18
1			3			TOTAL SHEETS
2			4			27

DRAWN BY: D. A. GLADDEN DATE: 10-18-04
 CHECKED BY: M. G. SHAIKH DATE: 10-27-04