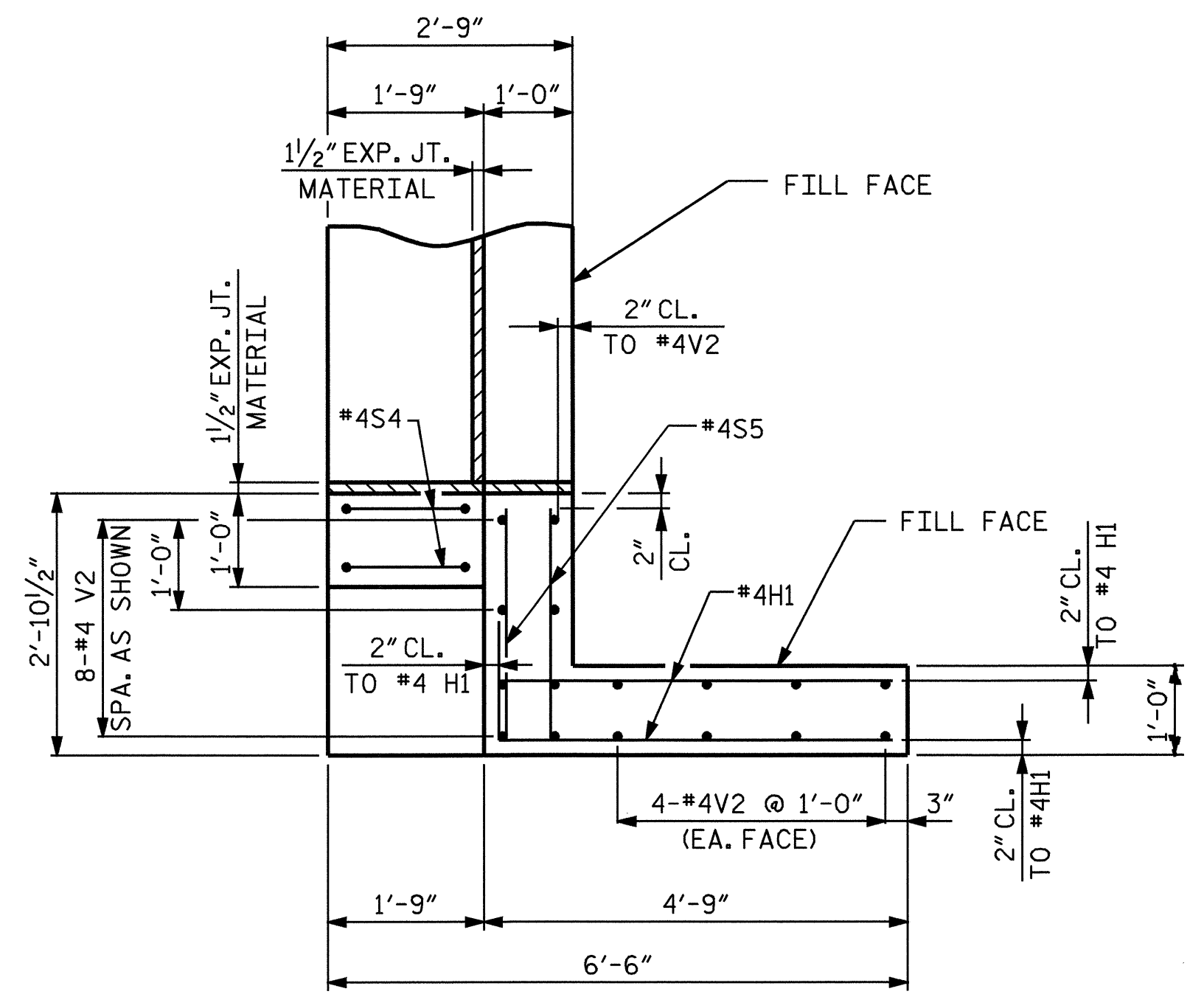
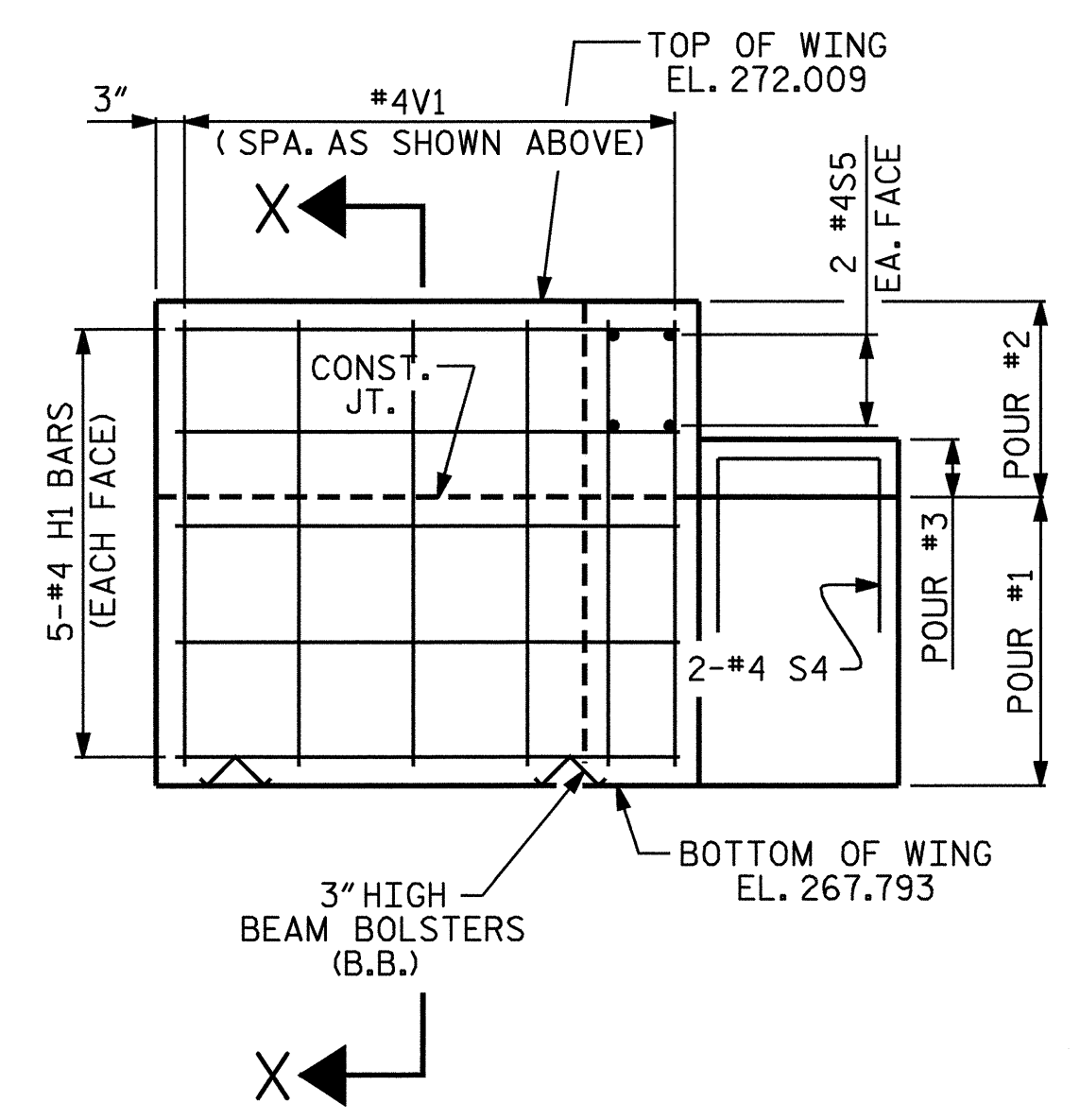


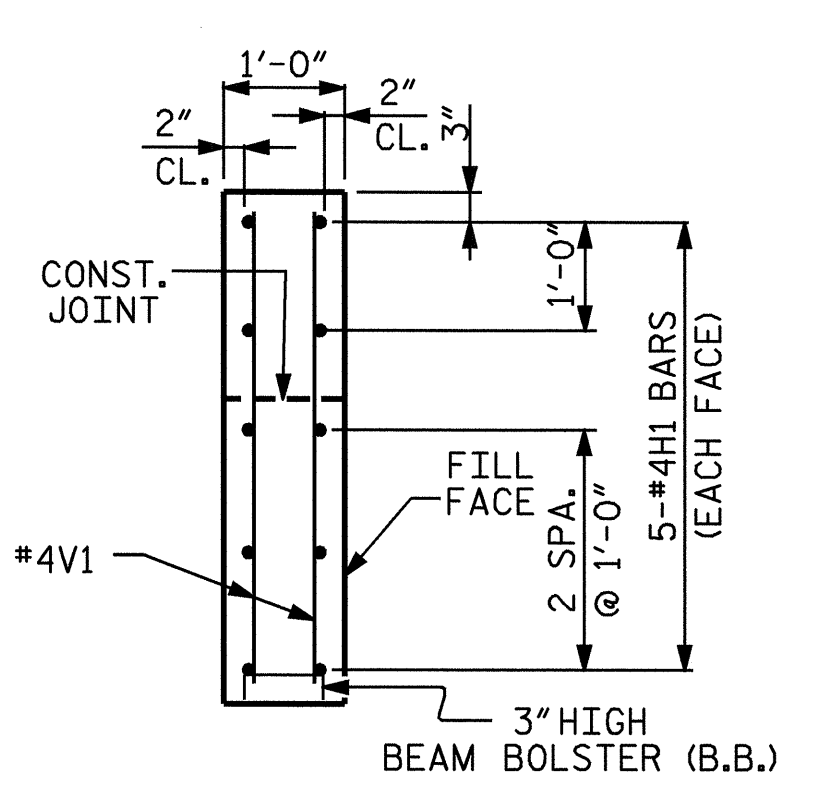
PLAN OF LEFT WING (W1)



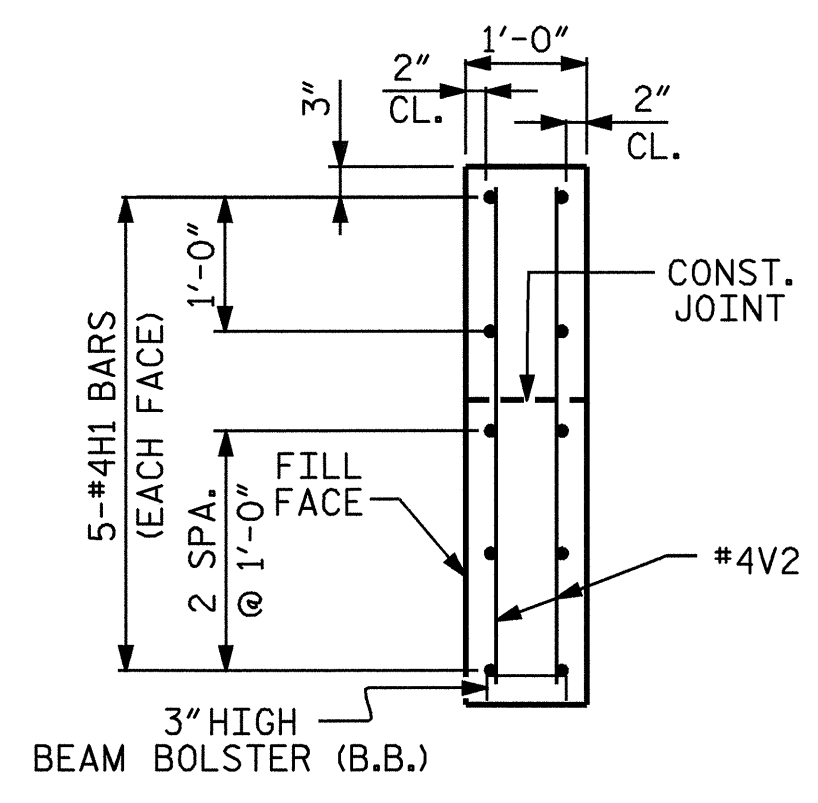
PLAN OF RIGHT WING (W2)



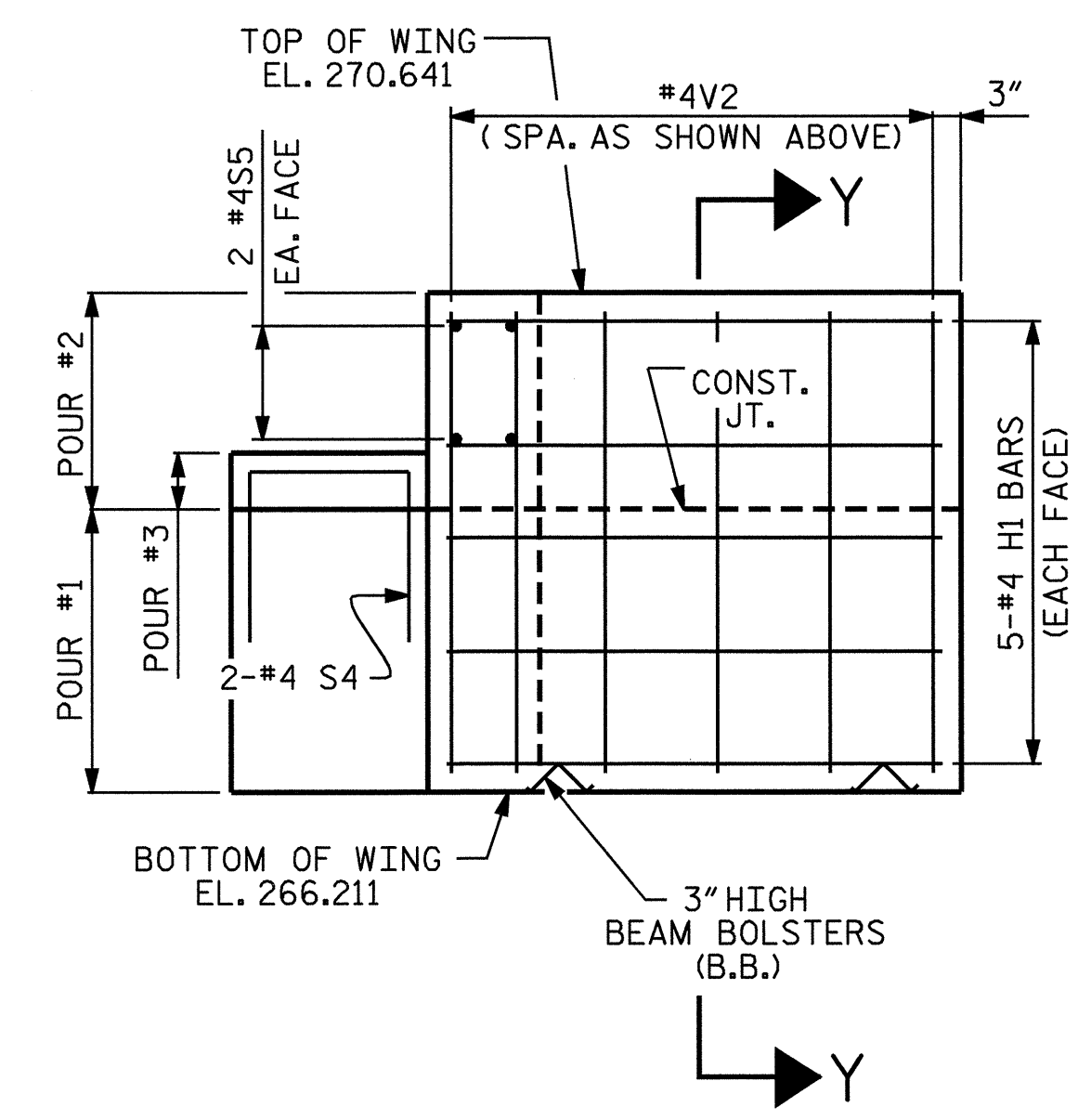
ELEVATION OF LEFT WING (W1)



SECTION X-X



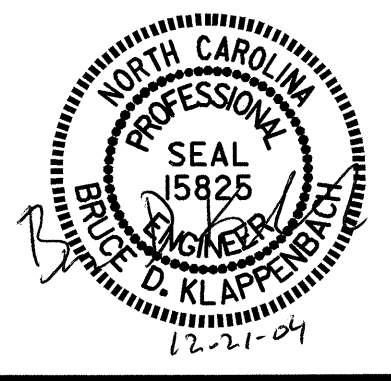
SECTION Y-Y



ELEVATION OF RIGHT WING (W2)

PROJECT NO. B-3703  
WAKE COUNTY  
 STATION: 18+17.85 -L-  
 SHEET 2 OF 3

STATE OF NORTH CAROLINA  
 DEPARTMENT OF TRANSPORTATION  
 RALEIGH  
 SUBSTRUCTURE  
 END BENT #2



DRAWN BY : M. G. SHAIKH DATE : 10-25-04  
 CHECKED BY : D. A. GLADDEN DATE : 10-26-04

REVISIONS						SHEET NO.	
NO.	BY:	DATE:	NO.	BY:	DATE:	S-22	
1			3			TOTAL SHEETS	
2			4			27	